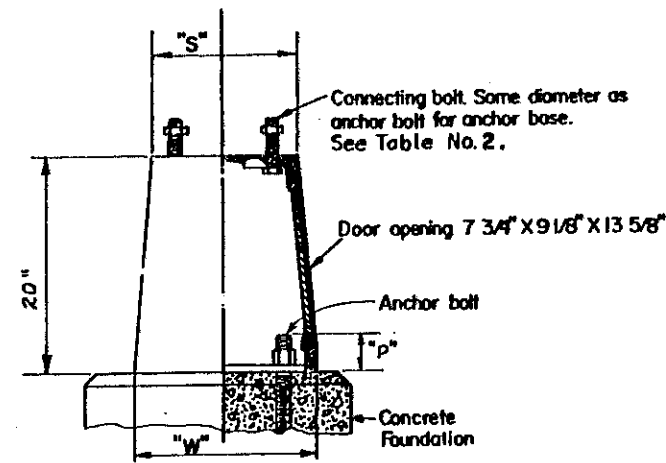
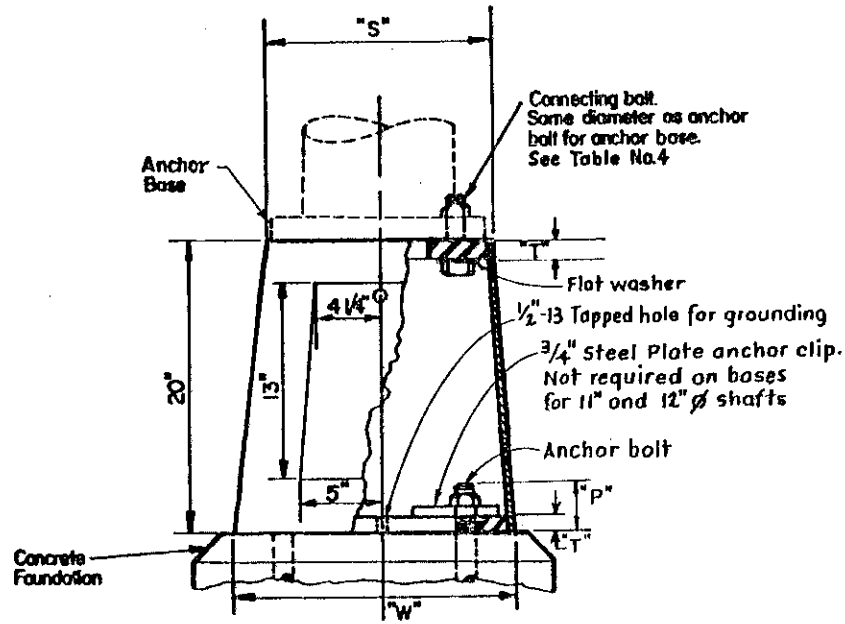


# POLE BASE DETAILS

## NOTES (continued)

7. The AT-X base shall be used with anchor base poles having diameters of 7.5" thru 9.5" and having bolt circles (10 1/2" thru 13". For poles whose bottom shaft diameter is 9.5" and bolt circle 13", the top-slots of the AT-X base will require special machining for fit.



## NOTES

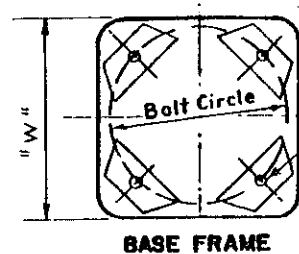
- For pole grounding details see HL-60.11
- Type AT-A base shall normally be used with anchor base poles having diameters of 6 inches through 9.2, inches inclusive, and mounting heights through 41.7 feet.
- Type AT-C base must be used for anchor base poles having diameters of 9.5 inches and 10 inches and mounting heights through 51.7 except for exclusions listed below:
  - a All double-arm poles with mounting heights of 50 feet.
  - b All single-arm poles with mounting heights of 50 feet and arm lengths of 25 feet and 30 feet.
  - c All double-arm poles with mounting heights of 45 feet and arm lengths of 25 feet and 30 feet.
  - d All single-arm poles with mounting heights of 45 feet and arm length of 30 feet.

On excepted poles above, transformer bases of material other than cast aluminum shall be used.

- U-bolt lengths shown in TABLE NO.5 are developed lengths and may vary  $\pm 1/2$ ". Lengths are for 1", 1 1/4", 1 1/2" and 1 3/4" diam. bolts. Lengths shown are for bridges with sidewalk railing and for bridges having a standard roadway railing.

- For anchor bolt data when transformer bases are to be mounted on bridge pilasters see TABLE NO.1 and TABLE NO.2.
- For median-mounted pole base details See HL-20.13

SHAFT SIZE	"T"	"S"	"W"	BOLT CIRCLE	"P"
6.0" thru 9.2"	3 1/4" min.	13" sq.	16" sq.	15"	4 1/2"
8.5" thru 10"	1 1/4" min.	15" sq.	18" sq.	17 1/4"	4 1/2"
11" and 12"	1 1/2"	17" sq.	25" sq.	22"	4 1/2"

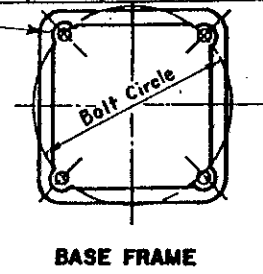


STEEL TRANSFORMER BASES

SHAFT SIZE	STEEL POLE GAUGE NO.	
	11	7
6.5"	1" x 40"	1" x 40"
7"	1" x 40"	1" x 40"
7.5"	1" x 40"	1" x 40"
8"	1" x 40"	1" x 40"
8.5"	1" x 40"	1" x 40"
9"	1" x 40"	1" x 40"
9.5"	1" x 40"	1" x 40"
10"	1" x 40"	1" x 40"
11"	1 1/4" x 48"	1 1/4" x 48"
12"	1 1/2" x 60"	1 1/2" x 60"

40" bolts include 4" bend  
48" and 60" bolts include 6" bend

TYPE	"P"	"S"	"W"	BOLT CIRCLE	SHAFT SIZE
AT-A	4 1/2"	13"	16 3/8"	15"	SEE NOTE 2
AT-C	4 1/2"	14 5/8"	17 1/4"	17 1/4"	SEE NOTE 3
AT-X	4 1/2"	13"	14"	12 1/2"	SEE NOTE 7

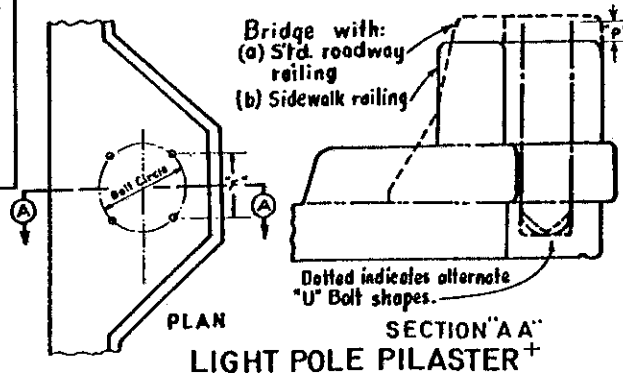


## CAST ALUMINUM TRANSFORMER BASES

SHALL NOT BE USED WHERE OVERHEAD WIRING IS REQUIRED

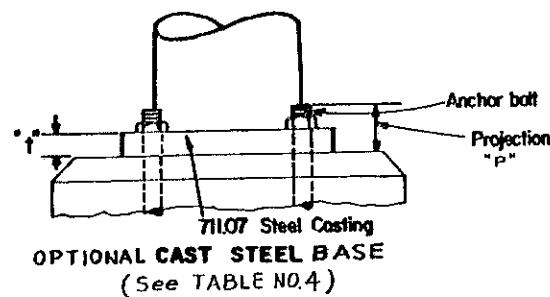
SHAFT SIZE	U-BOLT LENGTH †	
	SIDEWALK	STD. RDWY
6.5"	6 3/4"	75"
7.0"	7 1/8"	75"
7.5"	7 7/16"	76 1/2"
8.0"	7 3/4"	76 1/2"
8.5"	8 1/8"	76 1/2"
9.0"	8 7/8"	78"
9.5"	9 3/16"	78"
10.0"	9 9/16"	79 1/2"
11.0"	10 5/8"	79 1/2"
12.0"	11 3/16"	81"

† See NOTE 4



## BRIDGE MOUNTED POLES

† For pilaster dimensional details, See HL-20.14

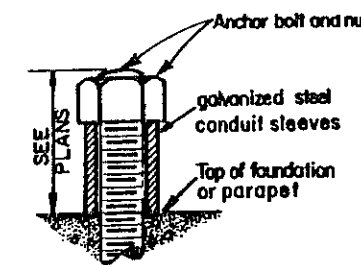
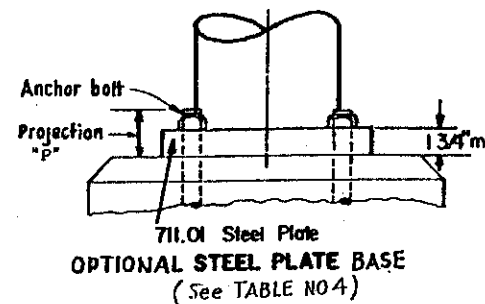


SHAFT SIZE	BOLT CIRCLE	BOLT #	"t"	POLE GAUGE		
				NO.11	NO.7	NO.3
6.5"	9 1/2"	2 1/8"	7/8"			
7"	10"	2 1/4"	1"			
7.5"	10 1/2"	2 5/8"	1 1/8"			
8"	11"	2 5/8"	1 3/16"	1" x 40"		1 1/4" x 48"
8.5"	11 1/2"	2 3/4"	1 1/4"			
9"	12 1/2"	3"	1 5/16"			
9.5"	13"	3 1/8"	1 3/8"	1 1/4" x 48"		1 1/2" x 60"
10"	13 1/2"	3 3/8"	1 7/16"			
11"	15"	3 3/8"	1 5/8"	1 1/2" x 60"		1 3/4" x 90"
12"	16"	4"	1 11/16"			

\* Based on cast steel anchor bases only. For plate bases the projection shall be increased by the amount the plate thickness exceeds the "t" dimension shown.

## STEEL ANCHOR BASES

(See optional base plate details on either side)



## ANCHOR BOLT COVER

Note: To be placed on all light pole anchor bolts provided for future lighting installations.

BUREAU OF DESIGN SERVICES DIVISION OF HIGHWAYS OHIO DEPARTMENT OF TRANSPORTATION	
<b>HIGHWAY LIGHTING</b>	DATE 5-1-87
<b>POLE BASE DETAILS</b>	
STANDARD CONSTRUCTION DRAWING	<b>HL-10.13</b>
APPROVED:	Engineer of Design Services