

NOTES

FENCE DETAILS: Details shown on this drawing apply to standard Type 47 fence as detailed; however, the same designs may be used in the construction of all type of fence if modified for differences in basic design, such as anchor assembly, height of fence, length of panel, or other variances which would affect the design.

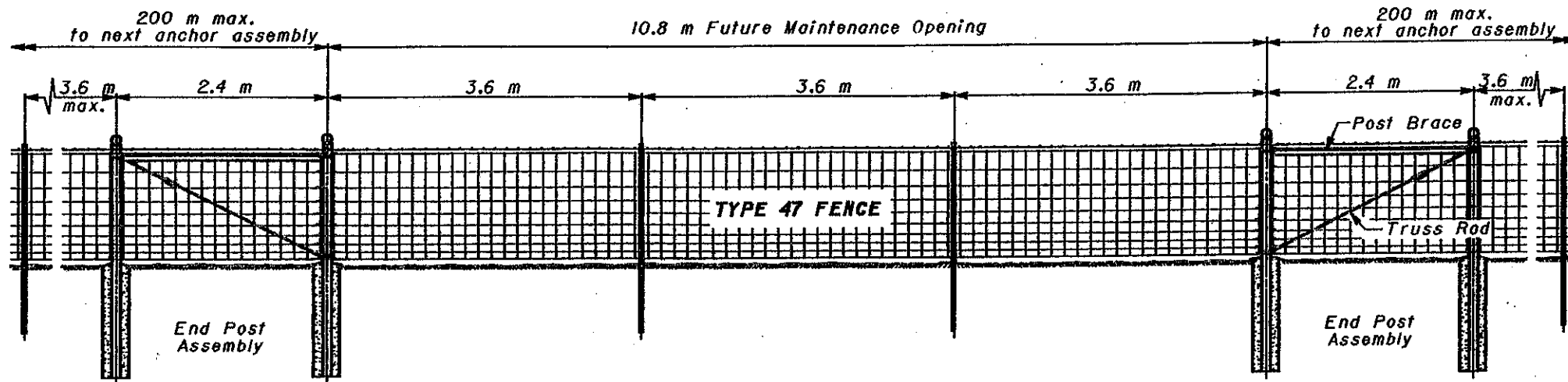
CROSSINGS: Types 1, 2, or 3, shall be provided at earth side ditches and streams served by culverts smaller than 1200 mm rise. A Type 4 crossing shall be provided where fence crosses a paved channel that is over 0.5 m deep.

TYPE 2 CROSSING: This Type is shown crossing a live stream, but it may also be used for intermittent flow channels. For a live stream crossing, the barbed wire may be deleted or its spacing varied, when directed by the Engineer, to prevent or reduce the collection of debris.

ROCK CHANNEL PROTECTION: Rock shall consist of 0.5 m of Rock Channel Protection, Type B, with Filter, unless otherwise shown on the plans or determined by the Engineer. It shall be placed 1.8 m wide (0.6 m outside the fence and 1.2 m inside the fence), and shall be paid for as Item 601 - Rock Channel Protection, Type —, w/Filter.

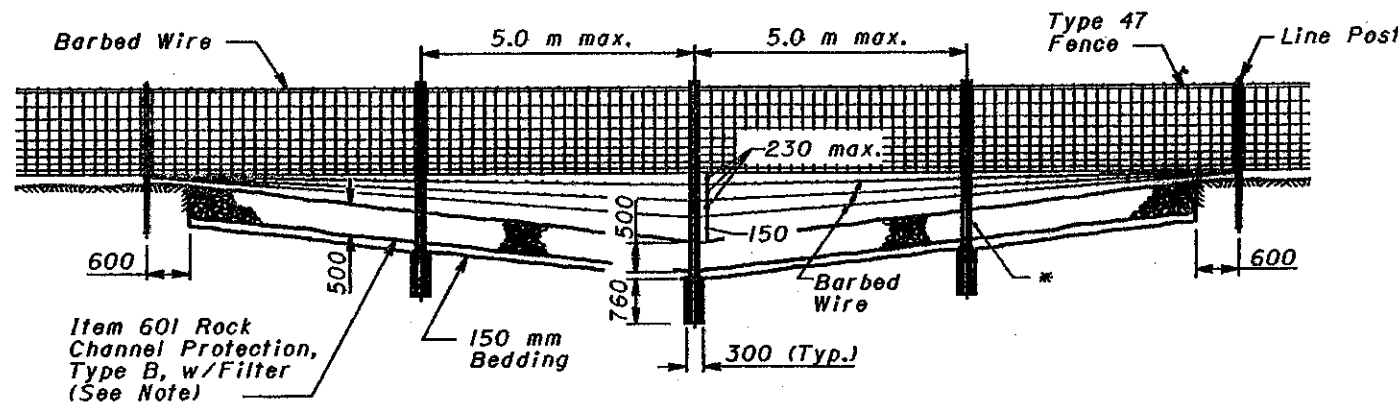
CONCRETE ENCASEMENT: When no rock channel protection is required, the 760 mm depth of concrete encasement shall be measured from the bottom of the channel.

MAINTENANCE OPENING: Barbed wire and fence fabric in the opening shall be separate from the approach wire fabric, and shall be installed after the wire and fabric has been stretched and fastened on both approaches.

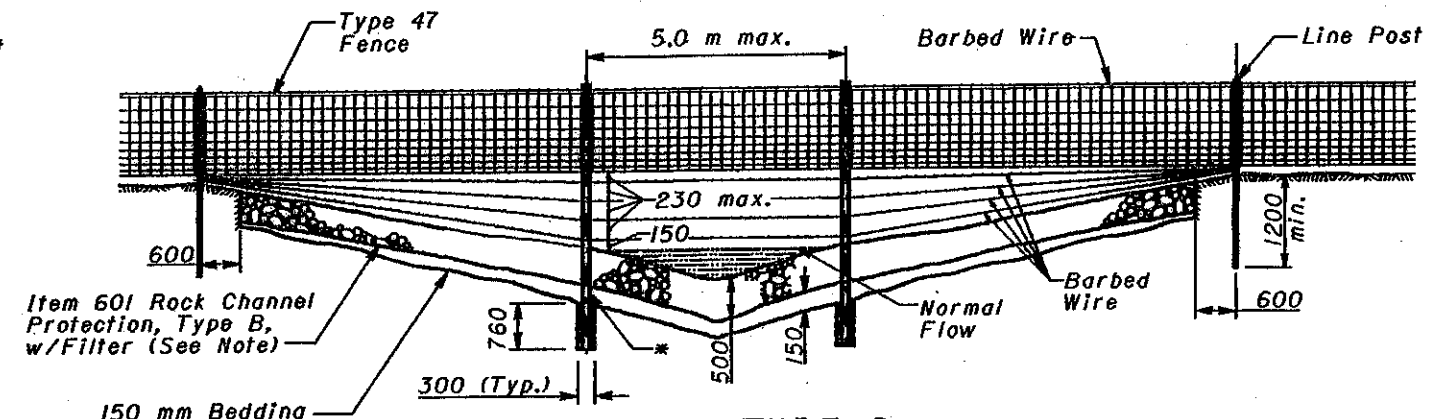


FUTURE MAINTENANCE OPENING

* Extra length posts shall be 63 mm dia. steel pipe or 75x75x6.4 mm angle, galvanized and set in concrete.

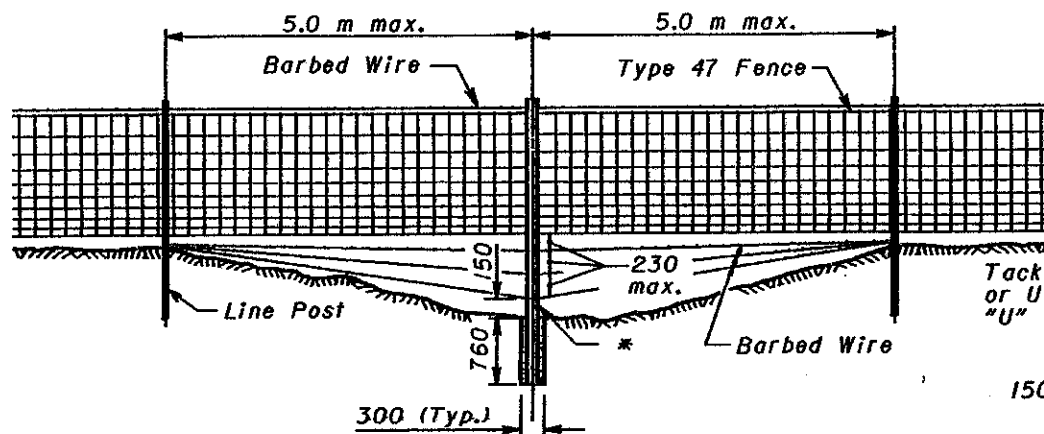


CROSSING TYPE 1

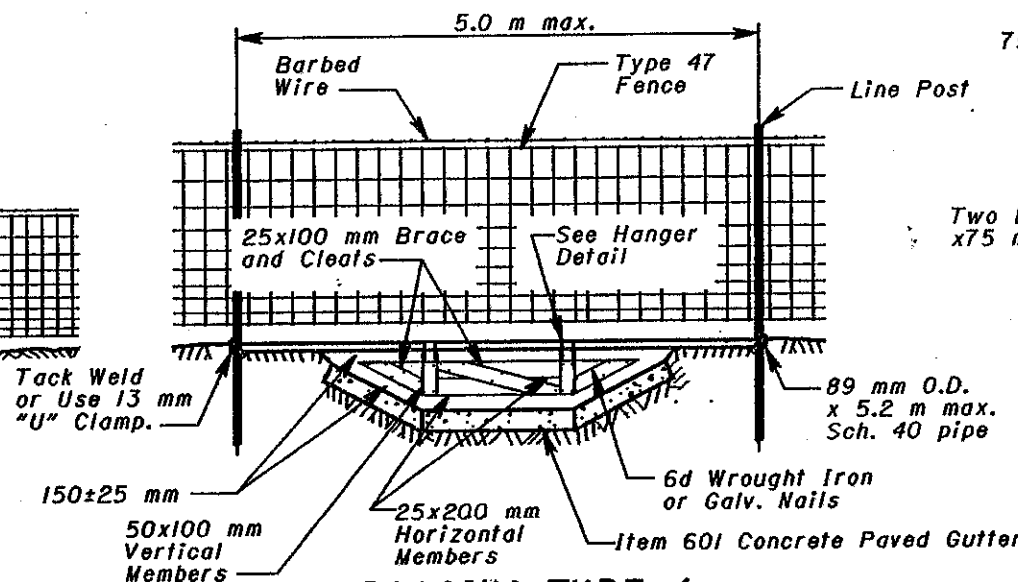


CROSSING TYPE 2

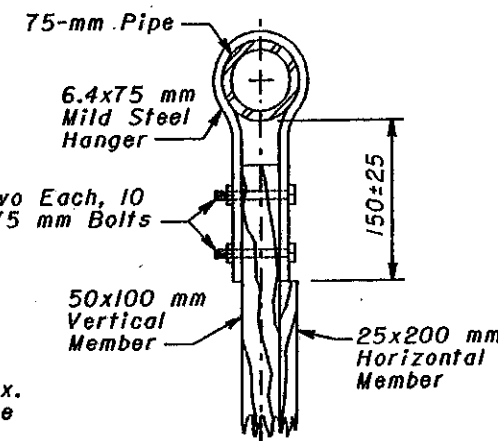
All dimensions are in millimeters unless otherwise noted.



CROSSING TYPE 3



CROSSING TYPE 4



HANGER DETAIL



This Drawing Replaces F-6.

OFFICE OF PLANNING
OHIO DEPARTMENT OF TRANSPORTATION

FENCE DETAILS

DATE
4-21-95
4-8-97

STANDARD CONSTRUCTION DRAWING **F-3.4M**

APPROVED *[Signature]*
ADMINISTRATOR