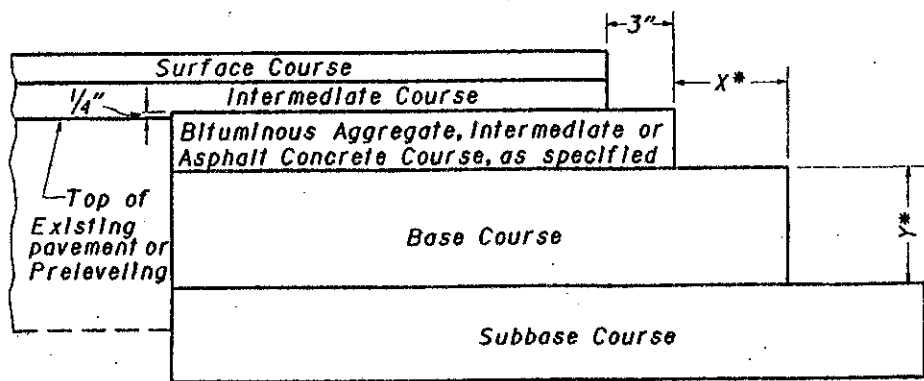


PLAN

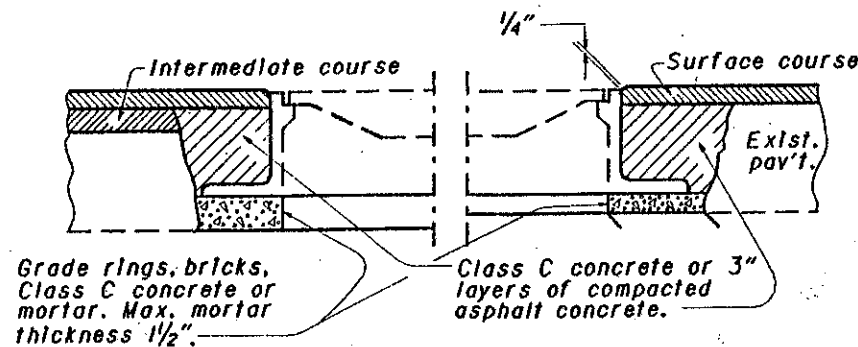
**MERGING EDGE OF PAVEMENT WIDENING WITH EDGE OF EXISTING PAVEMENT**



The Bituminous Aggregate in the upper part of the base widening shall finish approximately 1/4" above the edge of the existing pavement where no prelevelling is used. Where a prelevelling (using intermediate course material) is specified it shall be placed prior to excavation of the widening trench and the upper course of the base widening shall finish approximately 1/4" above the prelevelling.

\*The extended width (X) of a base or subbase course shall be equal to the depth (Y) of that particular course, unless otherwise specified in the plans.

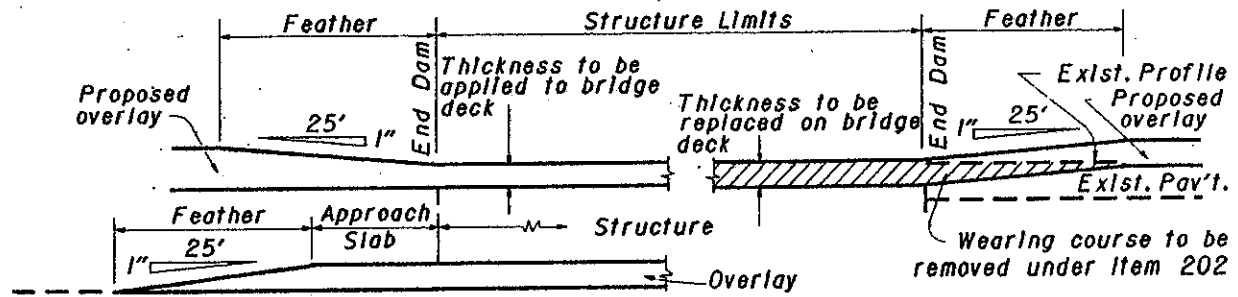
**SECTION A-A  
COURSE DETAIL FOR WIDENING**



USING CONCRETE OR MORTAR

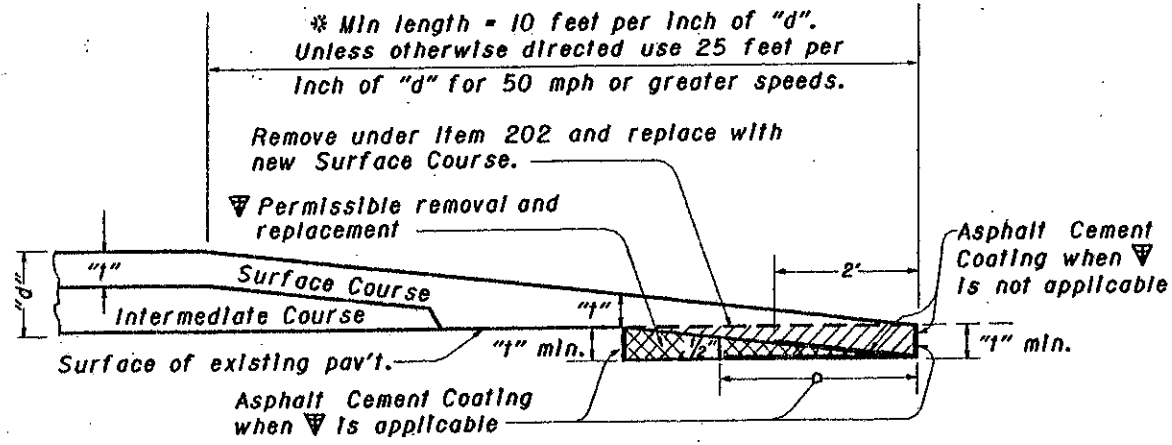
Metal adjusting rings shall: (a) attach securely to the existing frame by welding or mechanical devices; (b) consist either of cast metal having an integral rim and seat, or be fabricated metal with a sturdy connection between the seat and rim; and (c) provide an even seat for the manhole cover. In addition, the adjusting ring type shall be a design acceptable to the local governmental agency responsible for street and sewer maintenance. Any installation unacceptable to the Engineer shall be replaced by the Contractor at his expense.

**MANHOLES ADJUSTED TO GRADE**

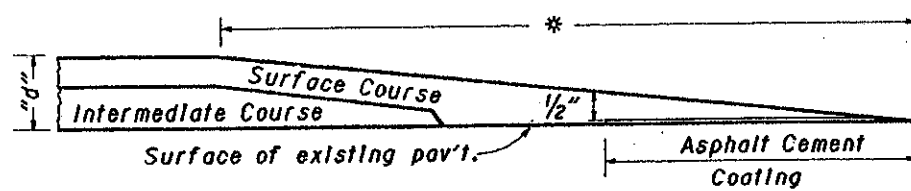


Details assume non-settled approach slabs. Smoothing of the profile for settlement is required per plan grades or as directed by the Engineer.

**FEATHERING AT STRUCTURES**



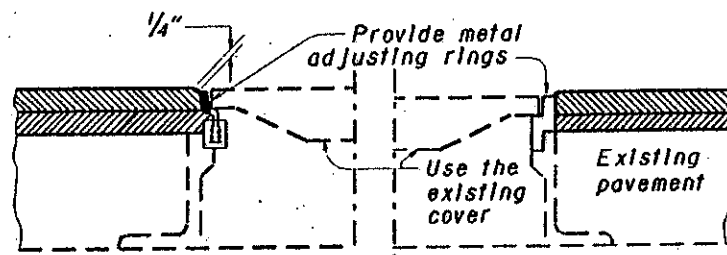
**BUTT JOINT TYPE**



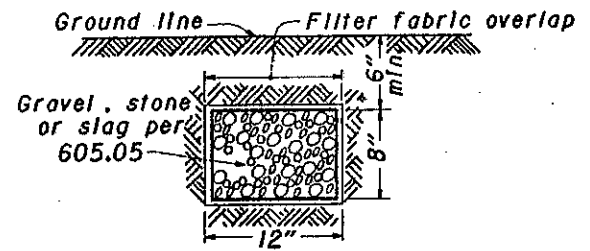
**TAPER EDGE TYPE**

NOTE: Either butt or taper type may be used unless type is specified by the plan.

**PLACING FEATHERED AREAS**

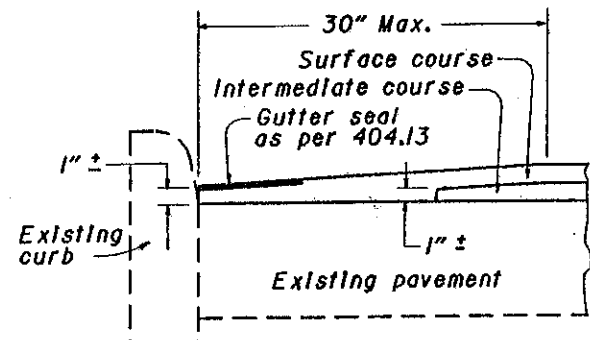


USING METAL ADJUSTING RINGS



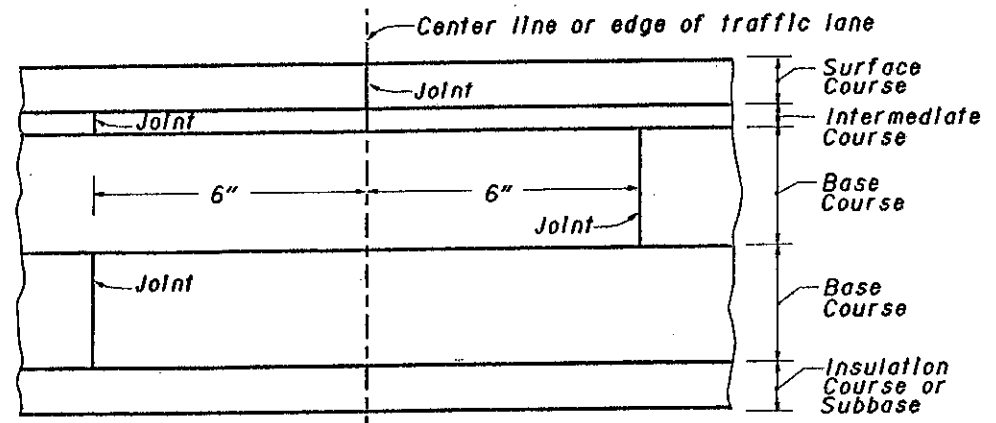
Aggregate drains to be placed where and as directed by Engineer. Provide filter fabric when specified as a separate pay item.

**AGGREGATE DRAIN**



Special care shall be taken during construction to obtain maximum compaction of bituminous concrete in gutters.

**GUTTER FINISH**



**LAPPING LONGITUDINAL JOINTS**

BUREAU OF LOCATION AND DESIGN  
OHIO DEPARTMENT OF TRANSPORTATION

**RESURFACING**

DATE  
2-21-92

STANDARD  
CONSTRUCTION  
DRAWING

**BP-3.1**

APPROVED *D.K. Hulman* ENGR., L & D