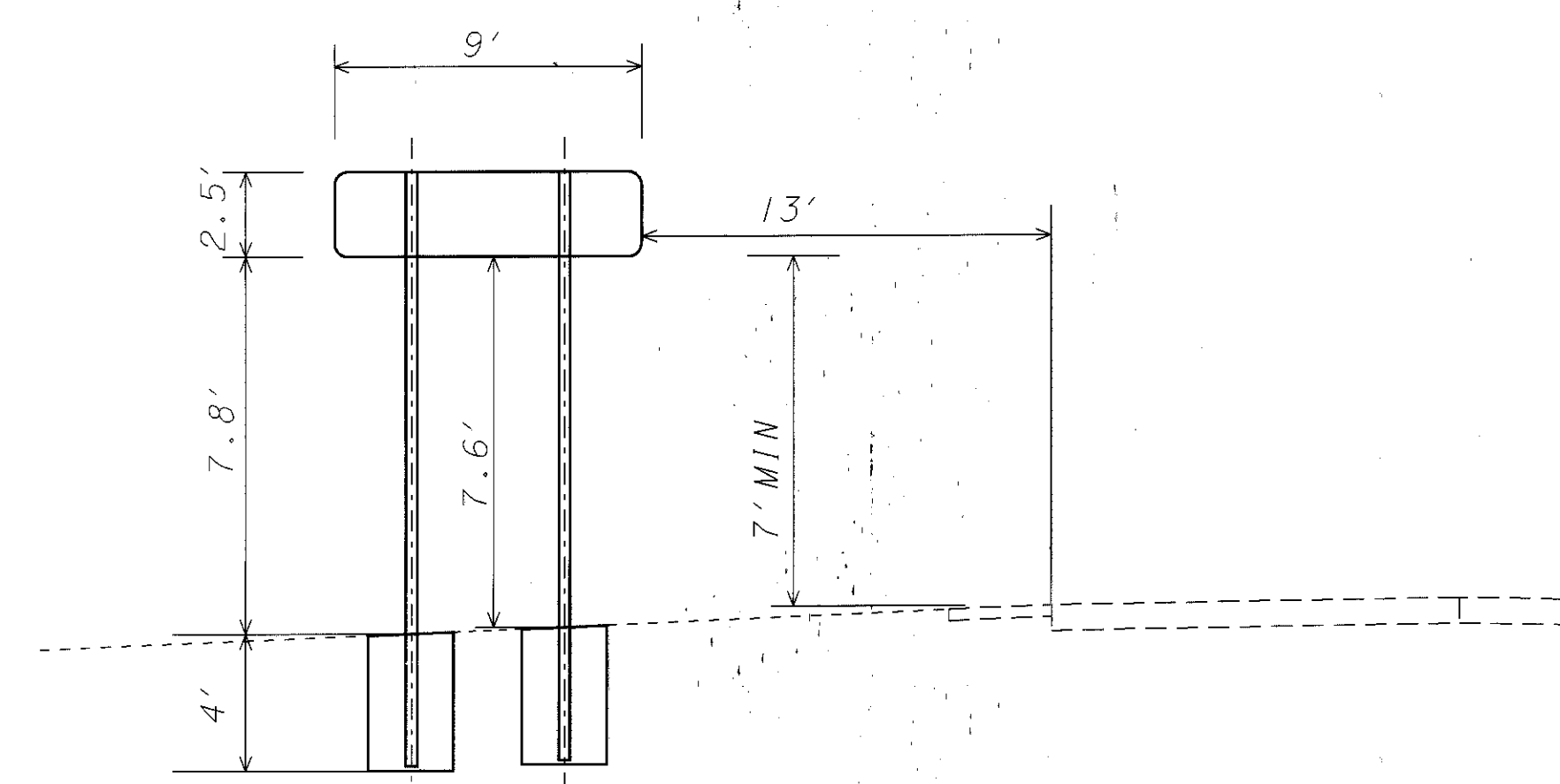
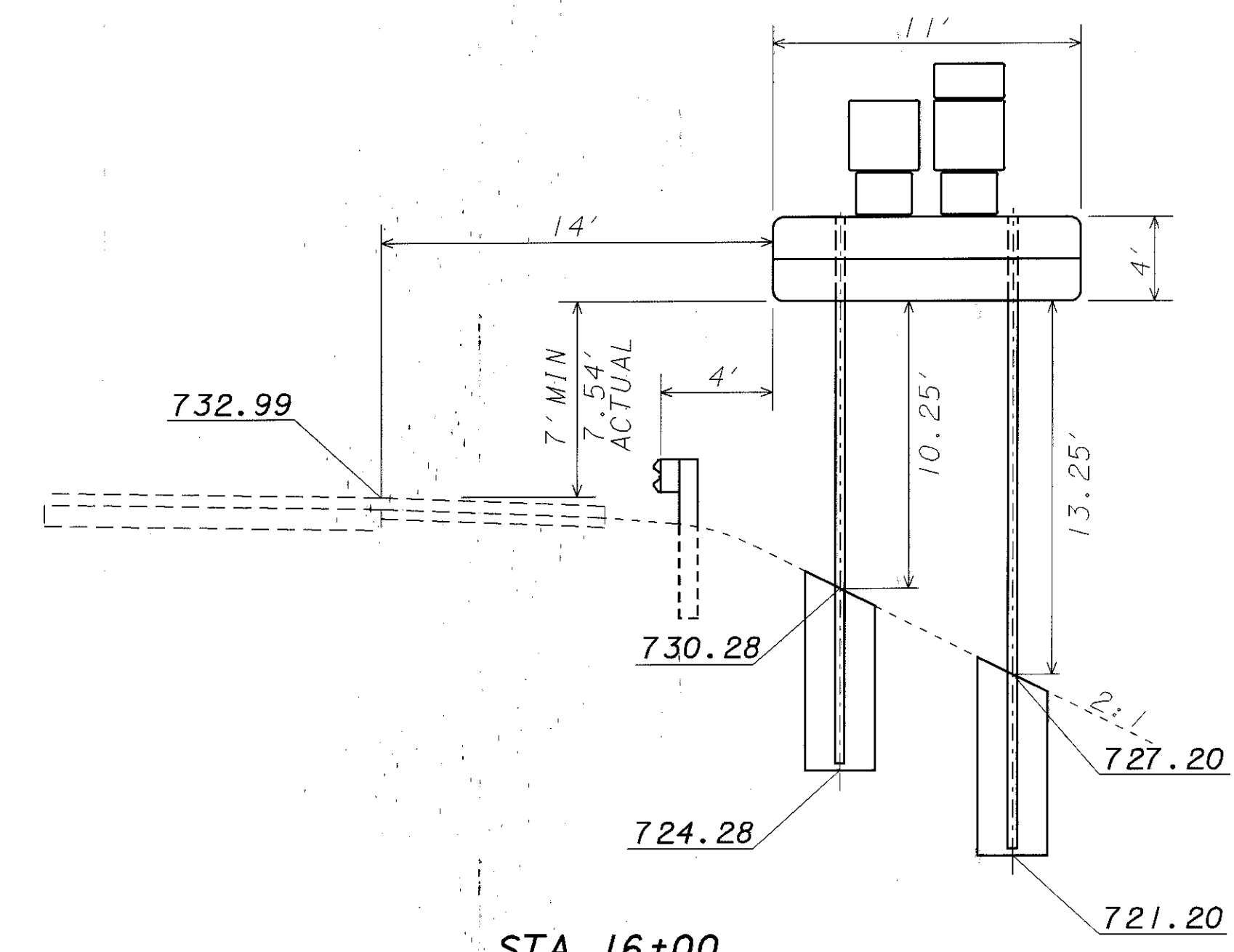


PLOTTED BY: fkonopka  
PLOTTED FROM: i:\projects\pid09866\09866tec.dgn  
09866tea.dgn  
05-FEB-1999 10:19



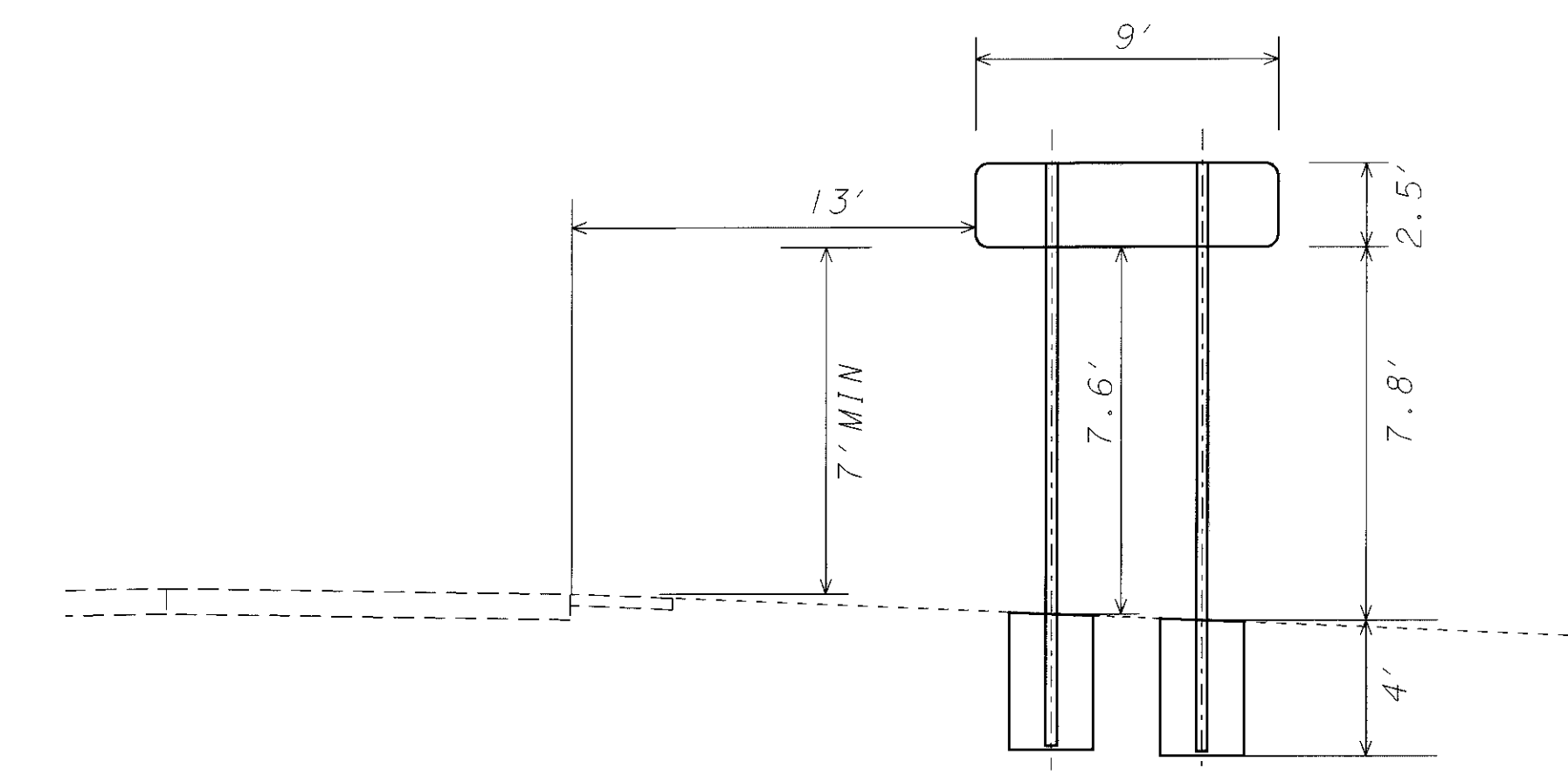
STA 19+25 SR-84  
2-S4x7 BEAM SUPPORTS

112



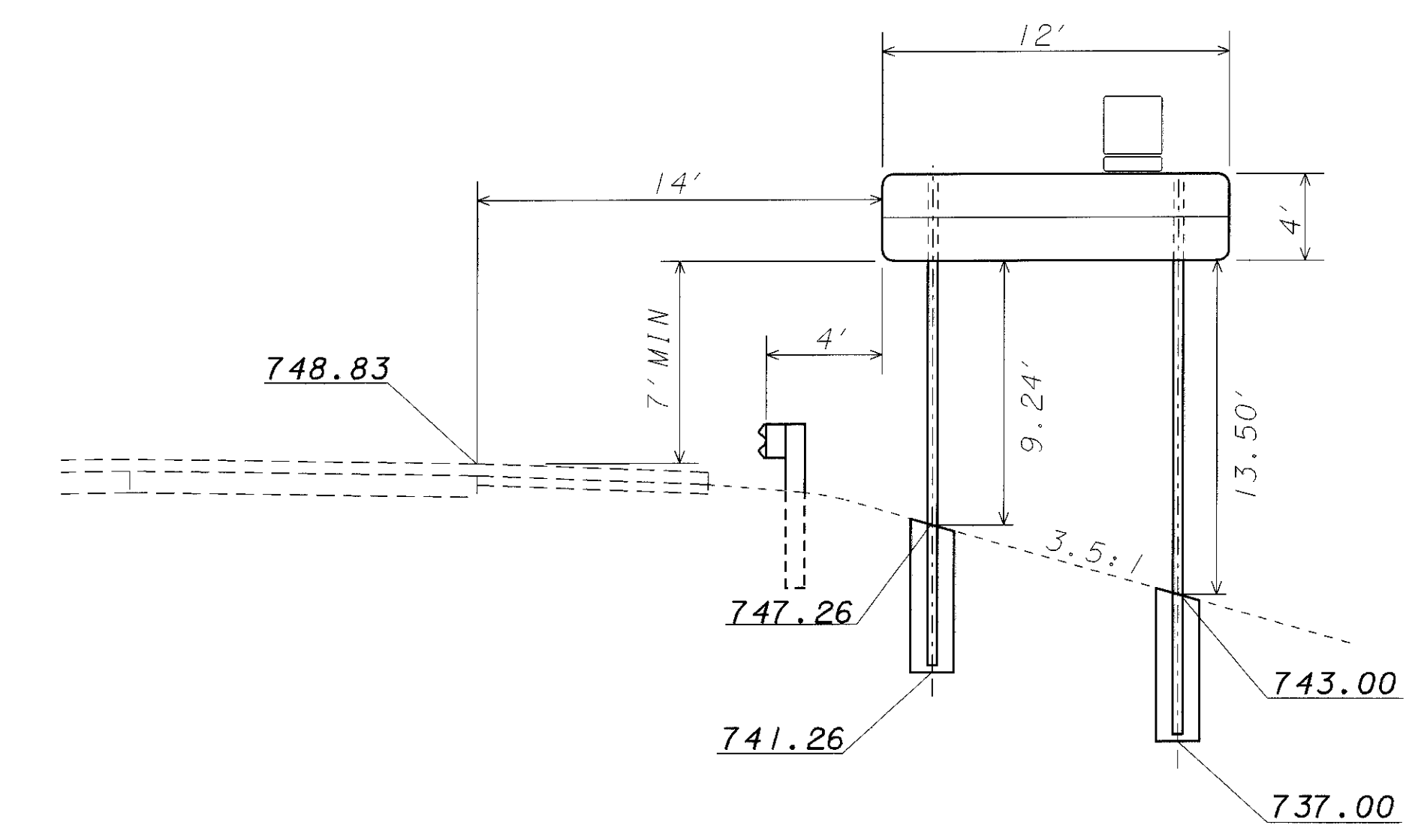
STA 16+00  
RAMP "C"  
2-W10x12 BEAM SUPPORTS

110



STA 0+35 SR-84  
2-S4x7 BEAM SUPPORTS

113



STA 20+00  
RAMP "C"  
2-W6x9 BEAM SUPPORTS

111