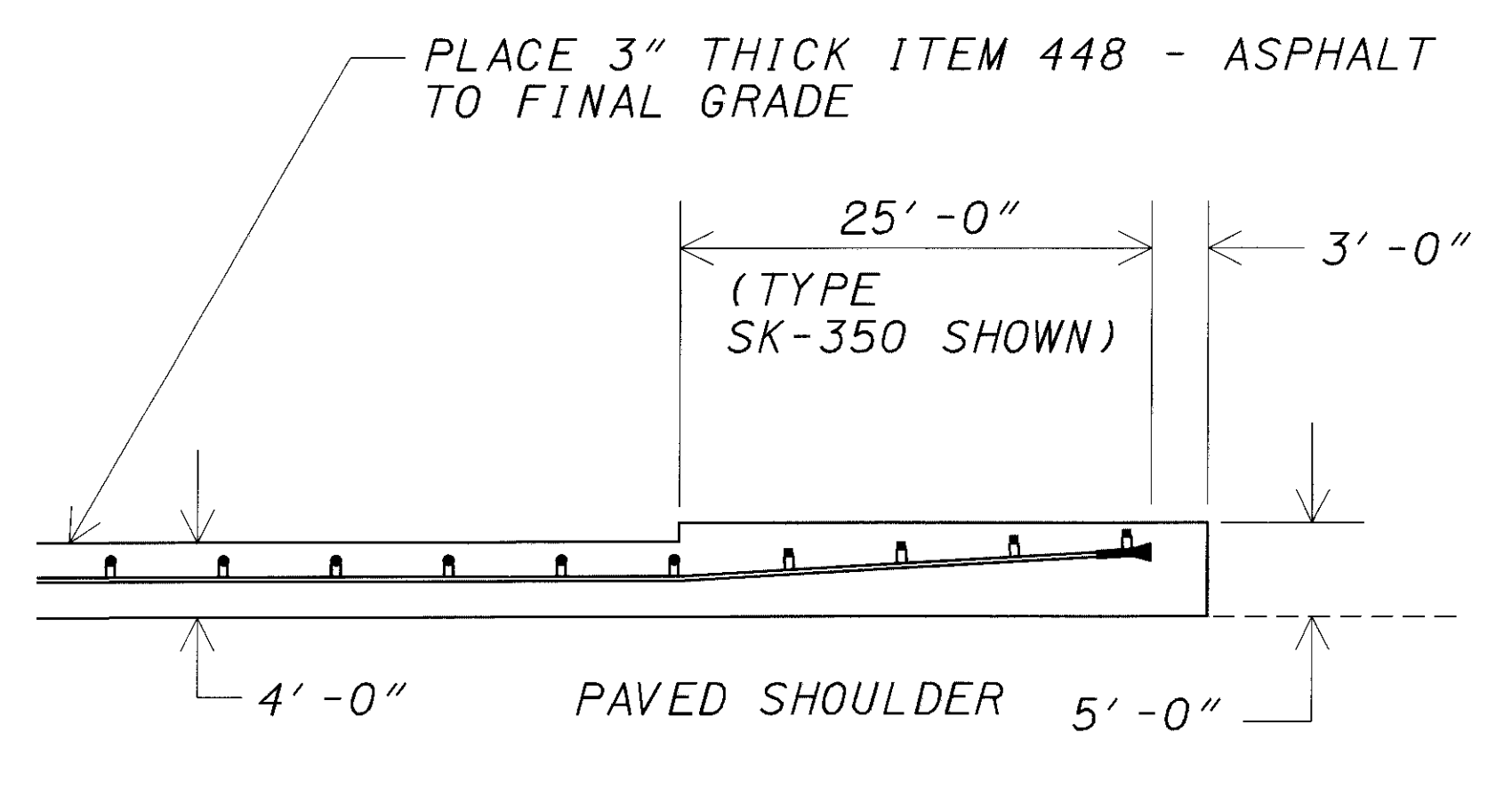
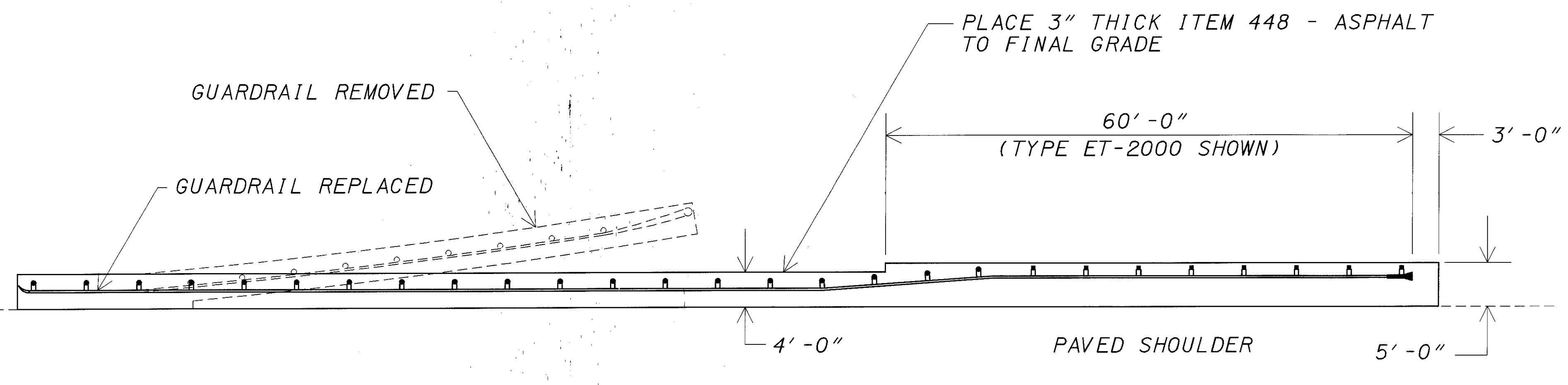
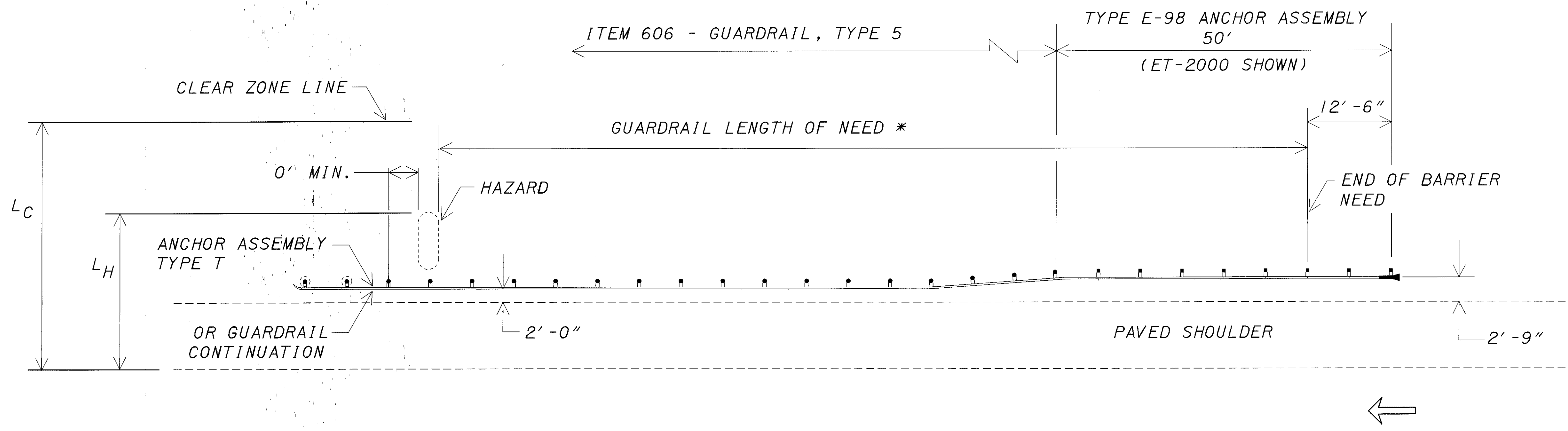


PLOTTED BY: jgrmovse
PLOTTED FROM: \\PROJECTS\p\d098666\p\d098666gre.dgn
098666GRE.DGN
PLOT SUBMITTED: 10-FEB-1999 13:48



ITEM 448 FOR EROSION CONTROL WITH TYPE E-98 ANCHOR ASSEMBLY



TYPICAL GUARDRAIL PROTECTION OF HAZARDS