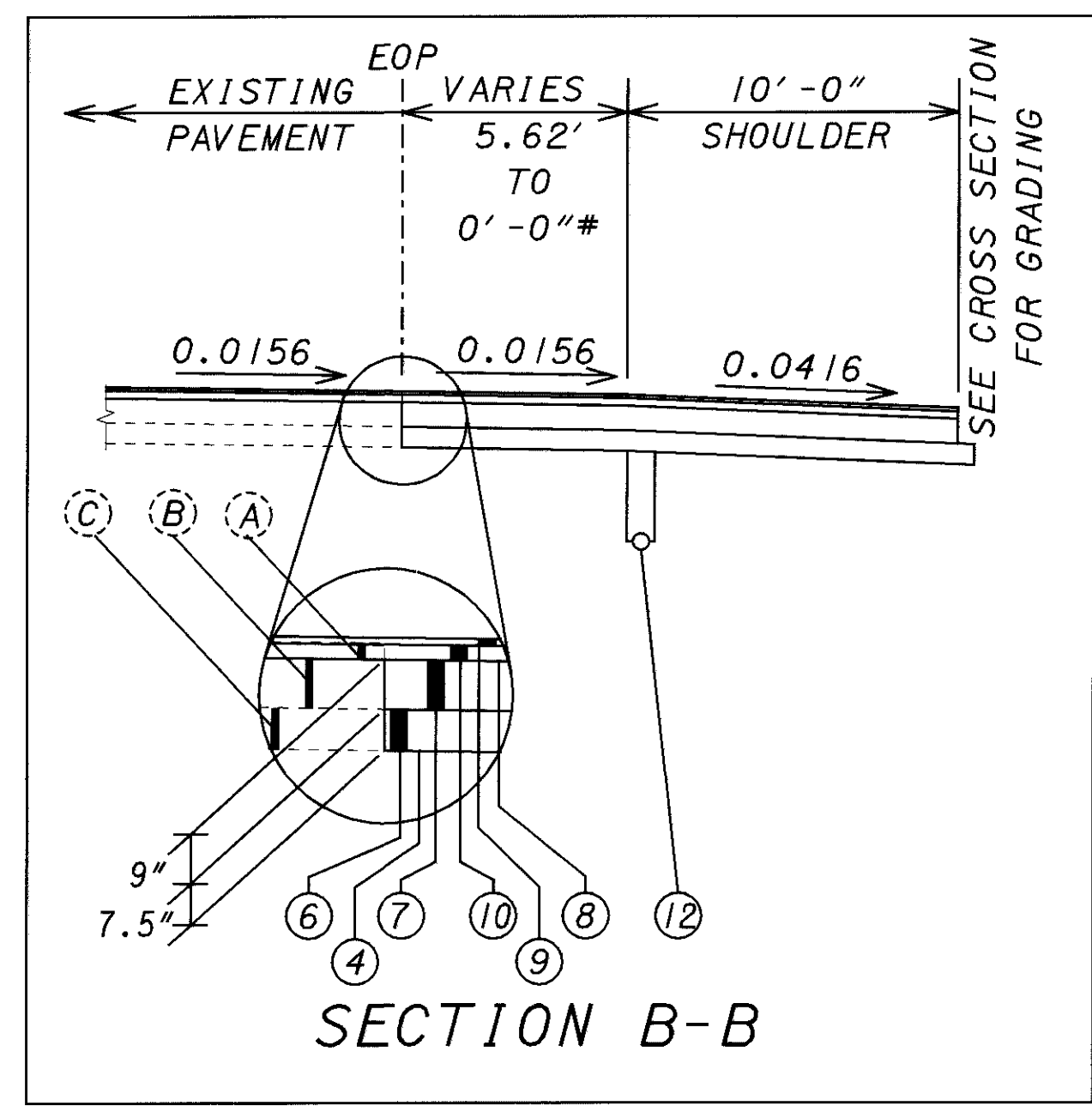
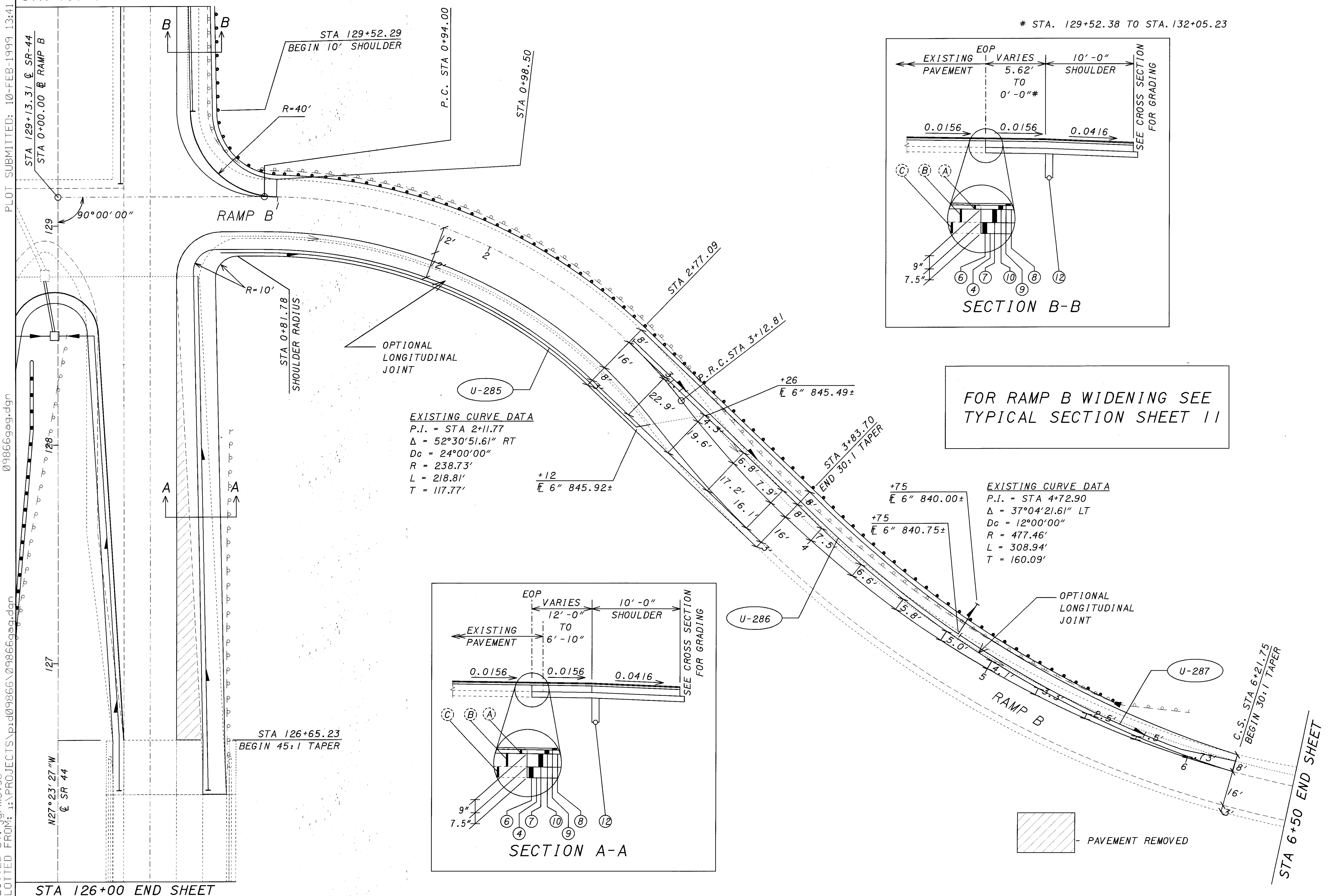


CALCULATED XXX
CHECKED XXX

PAVEMENT DETAIL SHEET
SR-44 & I-90 INTERCHANGE - RAMP B

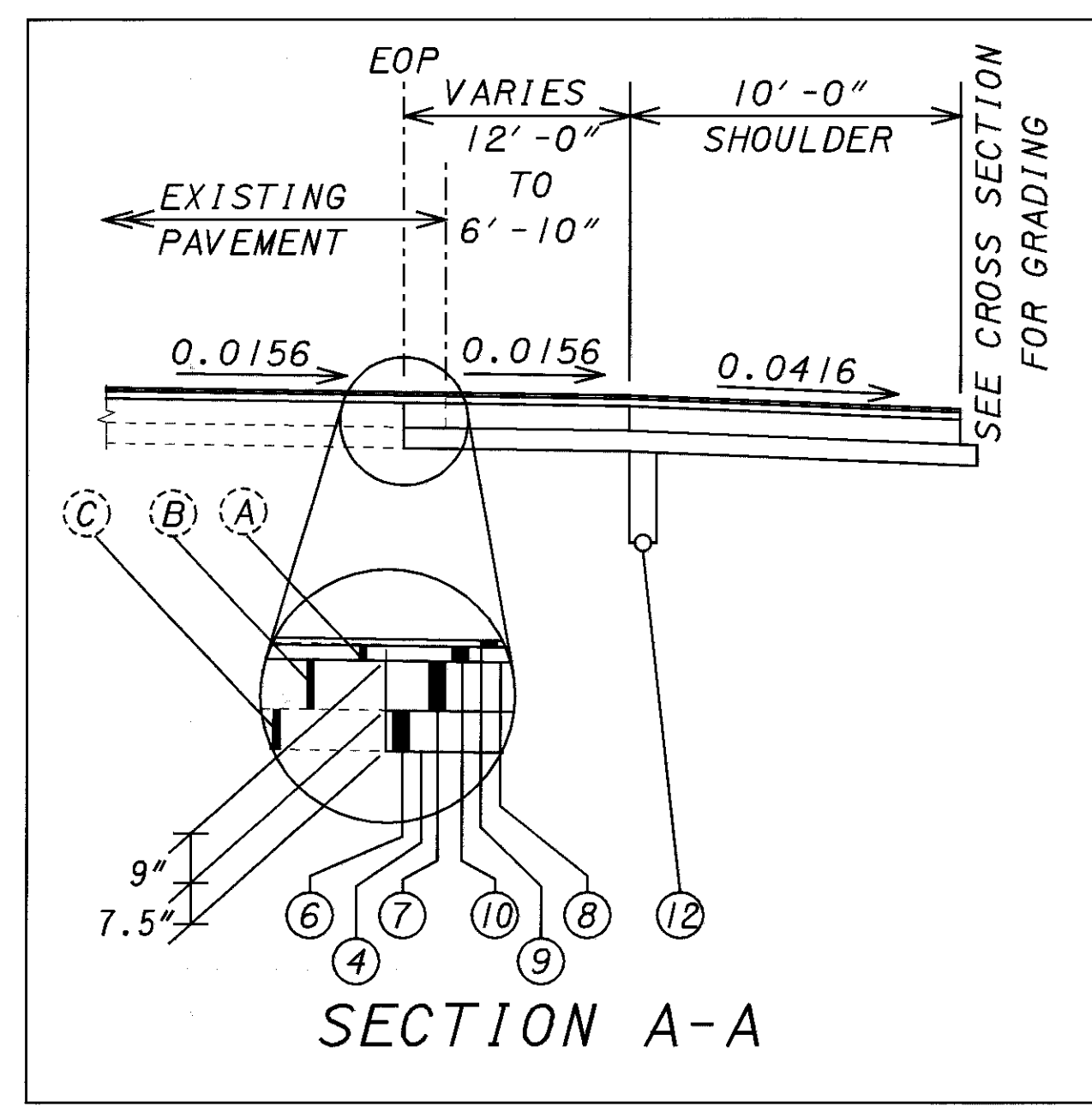
LAK-44-0.01



FOR RAMP B WIDENING SEE
TYPICAL SECTION SHEET 11

EXISTING CURVE DATA
P.I. = STA 2+11.77
 $\Delta = 52^\circ 30' 51.61''$ RT
 $D_c = 24^\circ 00' 00''$
 $R = 238.73'$
 $L = 218.81'$
 $T = 117.77'$

EXISTING CURVE DATA
P.I. = STA 4+72.90
 $\Delta = 37^\circ 04' 21.61''$ LT
 $D_c = 12^\circ 00' 00''$
 $R = 477.46'$
 $L = 308.94'$
 $T = 160.09'$



PLOT SUBMITTED: 10-FEB-1999 13:41
PLOTTED BY: jgrmovse
PLOTTED FROM: I:\PROJECTS\pid09866\09866.dgn