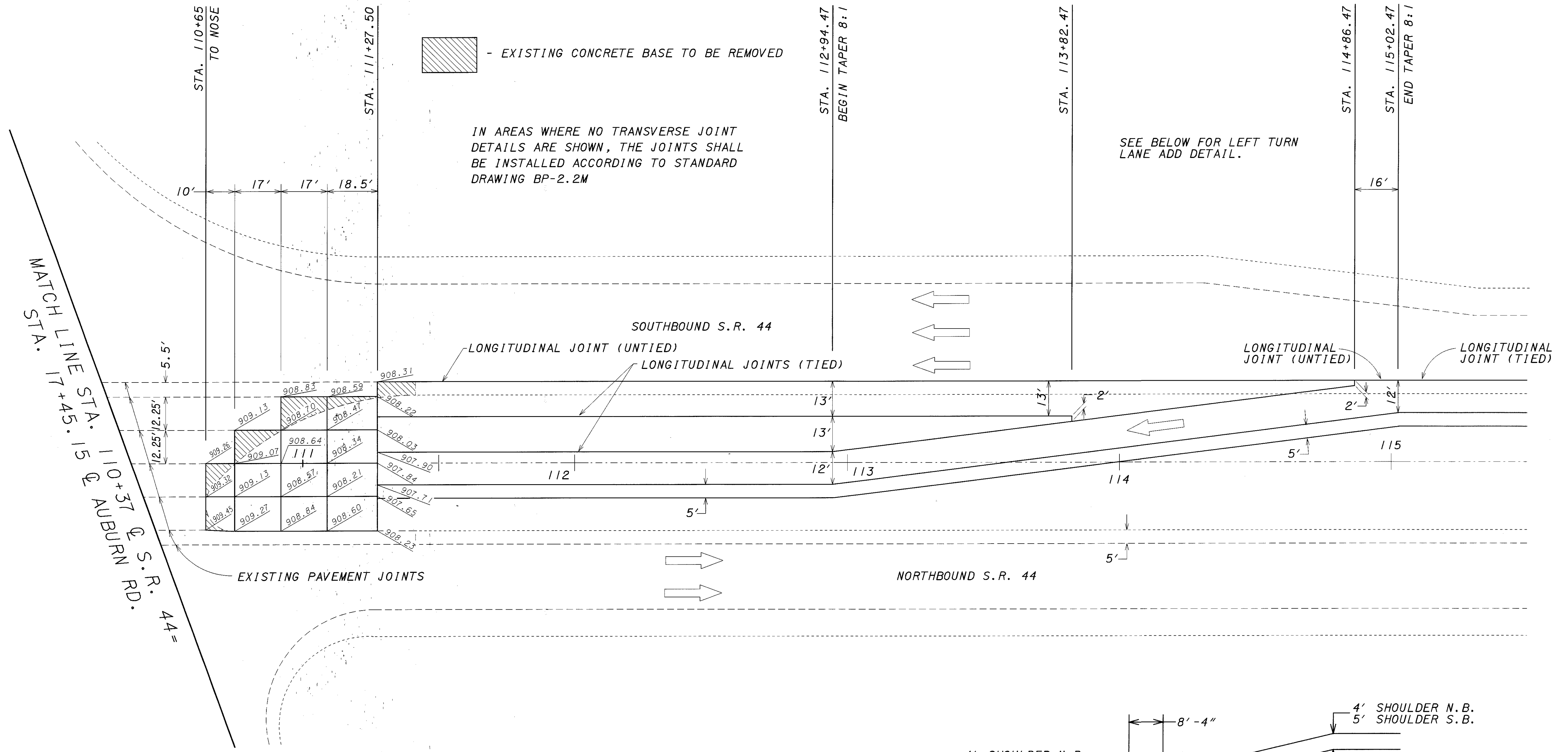


PLOTTED BY: jgr:movse
 PLOTTED FROM: I:\PROJECTS\pid09866\09866GAC.DGN
 09866GAC.DGN
 PLOT SUBMITTED: 10-FEB-1999 13:23



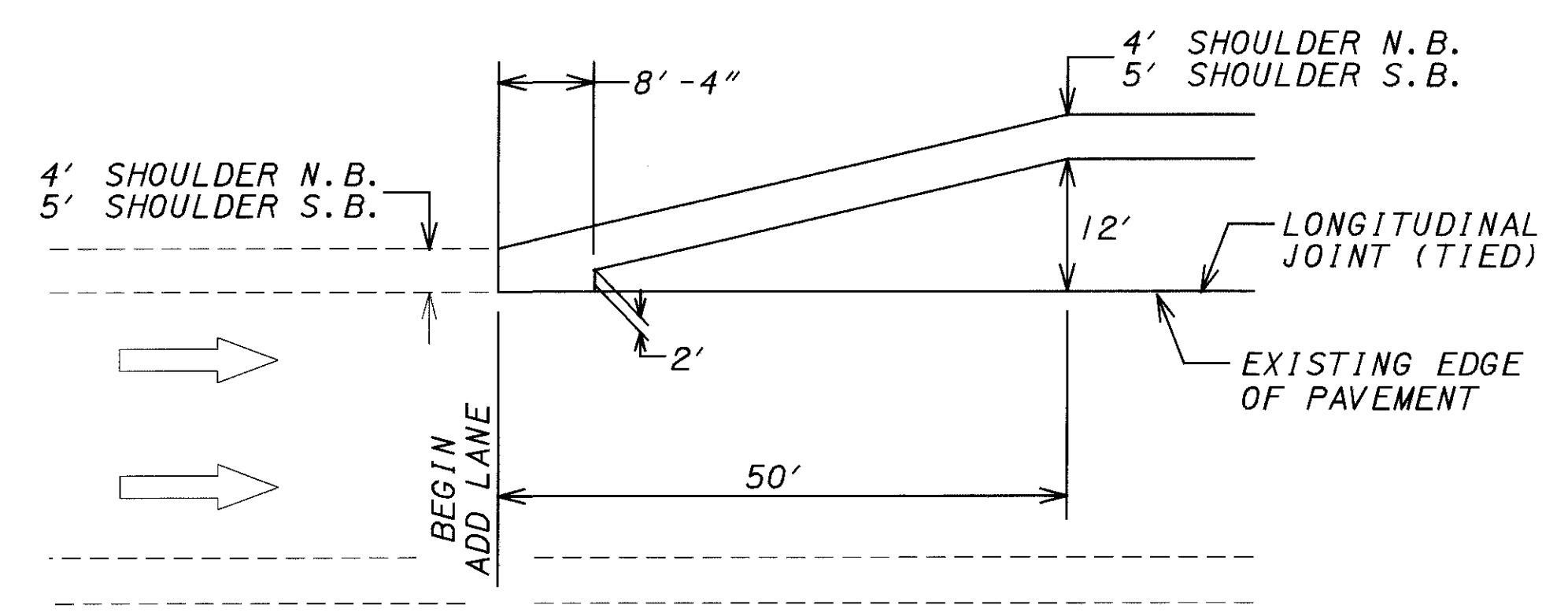
- EXISTING CONCRETE BASE TO BE REMOVED

IN AREAS WHERE NO TRANSVERSE JOINT DETAILS ARE SHOWN, THE JOINTS SHALL BE INSTALLED ACCORDING TO STANDARD DRAWING BP-2.2M

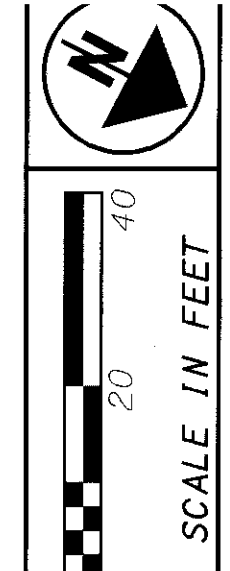
SEE BELOW FOR LEFT TURN LANE ADD DETAIL.

MATCH LINE STA. 110+37 @ S.R. 44 =
 STA. 17+45.15 @ AUBURN RD.

STATION	202		603		604		
	PIPE REMOVED, 24" AND UNDER LIN FT	CATCH BASIN REMOVED EACH	15" CONDUIT, TYPE B LIN FT	15" CONDUIT, TYPE C LIN FT	CATCH BASIN, NO. 6 EACH	CATCH BASIN, NO. 8 EACH	CATCH BASIN, NO. 2-2B EACH
92+00 TO 109+00				287		1	
109+00 TO 109+75			75				1
109+50 TO 109+75	35	1	4		1		
TOTALS	35	1	79	287	1	1	1



LEFT TURN LANE DETAIL
 BEGIN ADD LANE STA.:
 STA. 88+28.43 NORTHBOUND
 STA. 117+50.00 SOUTHBOUND



CALCULATED XXX
 CHECKED XXX

PAVEMENT DETAIL SHEET
 SR-44
 AUBURN RD. INTERSECTION

LAKE COUNTY
 LAK-44-0.01