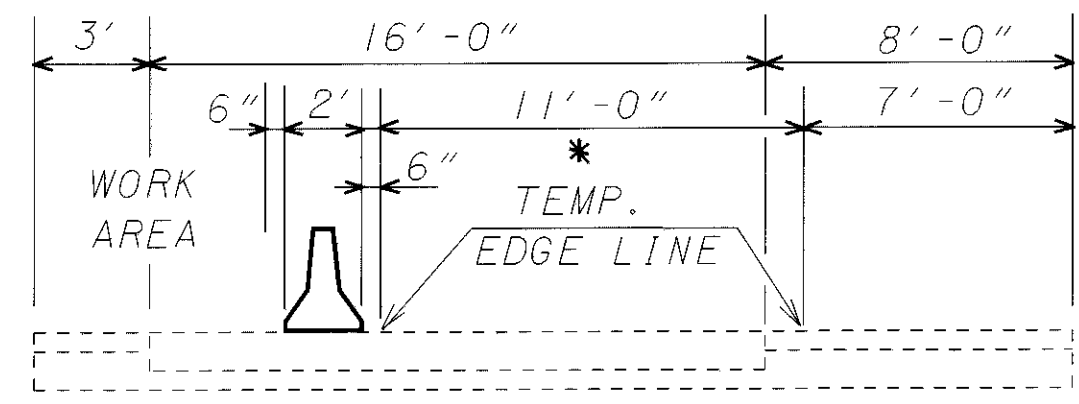
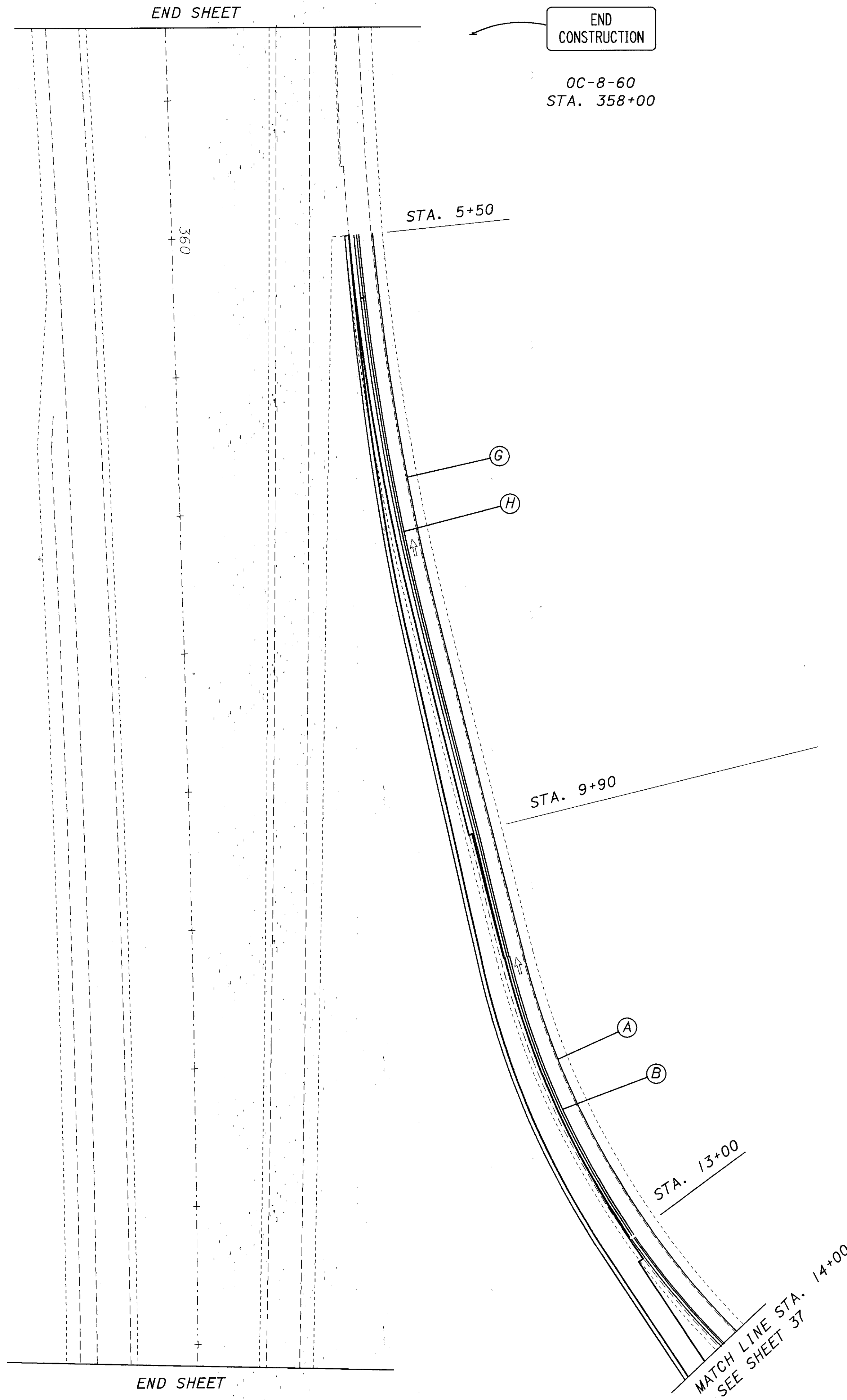


PLOTTED BY: fkonopka
 PLOTTED FROM: i:\projects\pid09866\09866mpf.dgn
 PLOT SUBMITTED: 10-FEB-1999 06:27



PHASE I MAINTENANCE OF TRAFFIC
 * VARIES 11'-0" TO 14'-0" STA. 9+90 TO STA. 13+00

SCALE IN FEET	
DRAWN	KAS
REVISSED	XXX
CALCULATED	KAS
CHECKED	ENF
MAINTENANCE OF TRAFFIC - PHASE I	
LAKE COUNTY	
LAK-44-0.01	
38	
196	