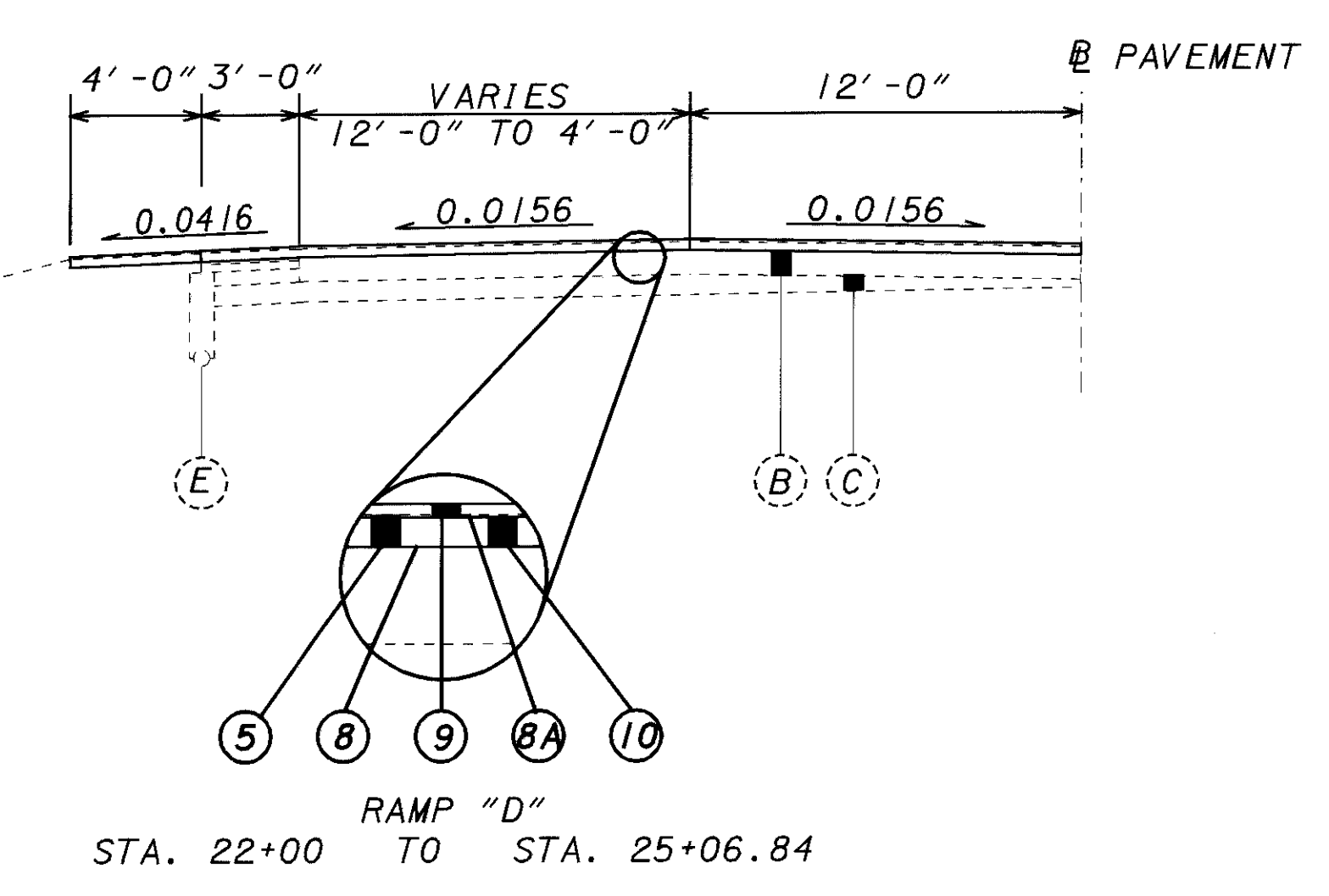
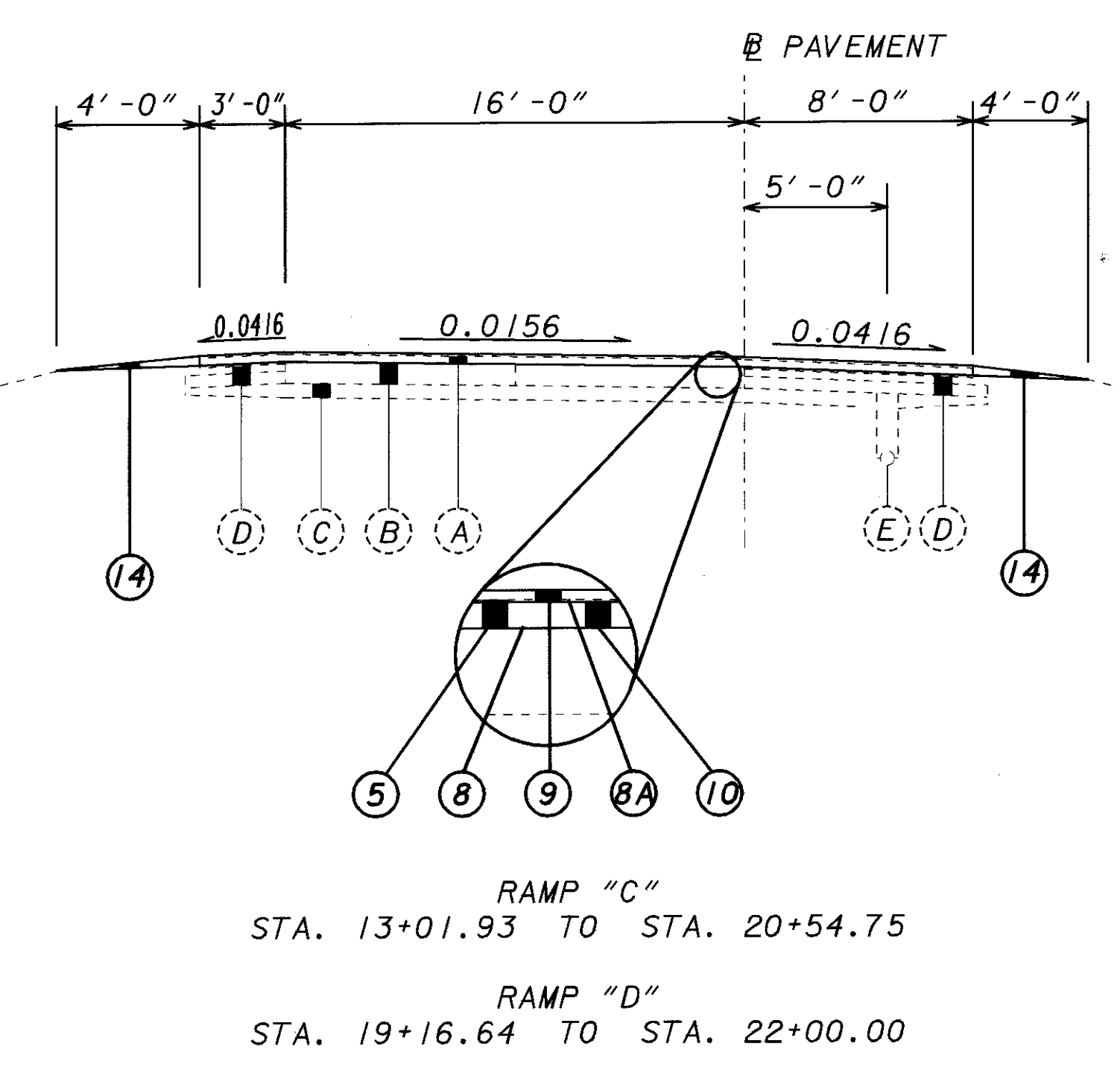
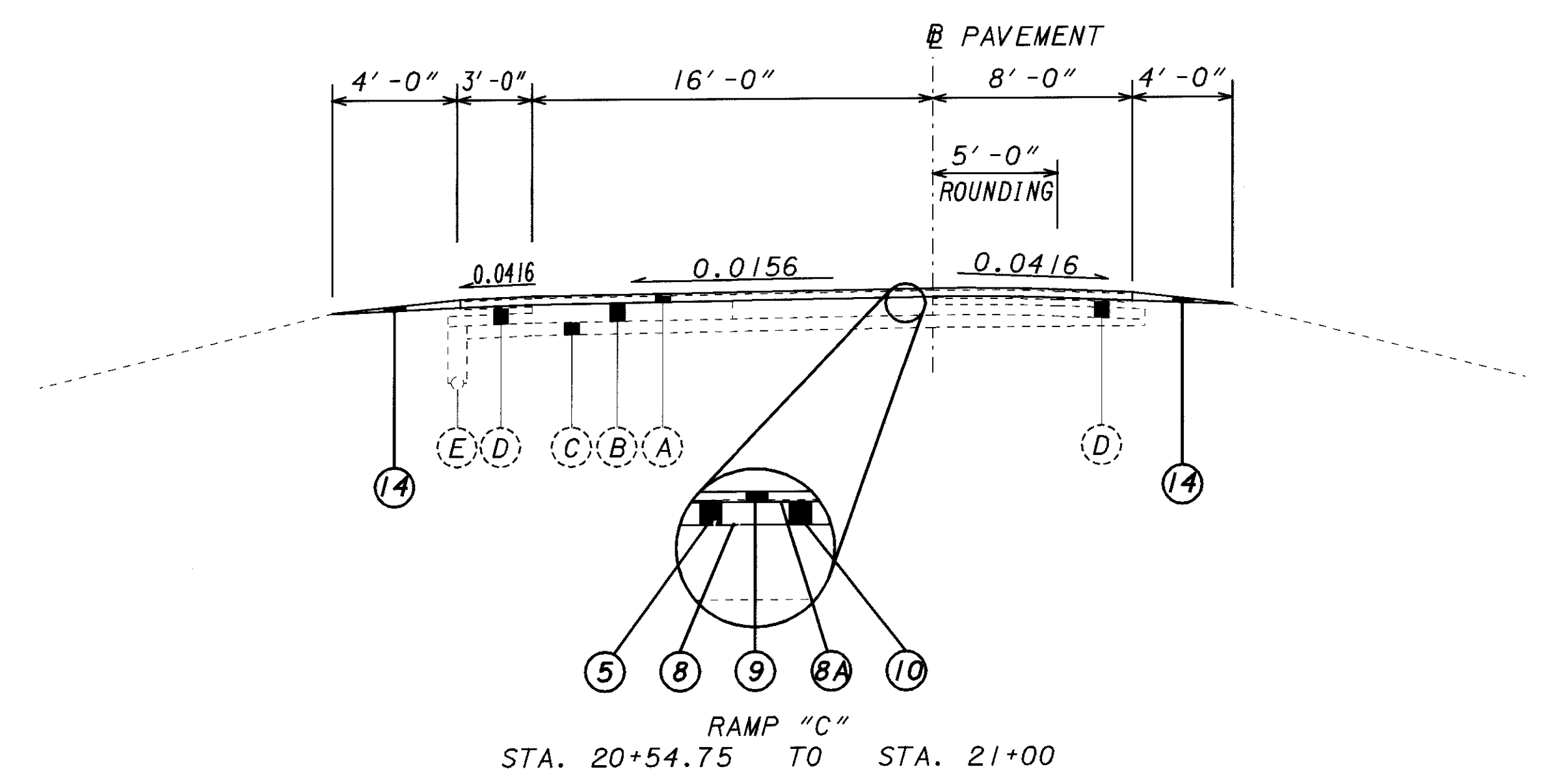
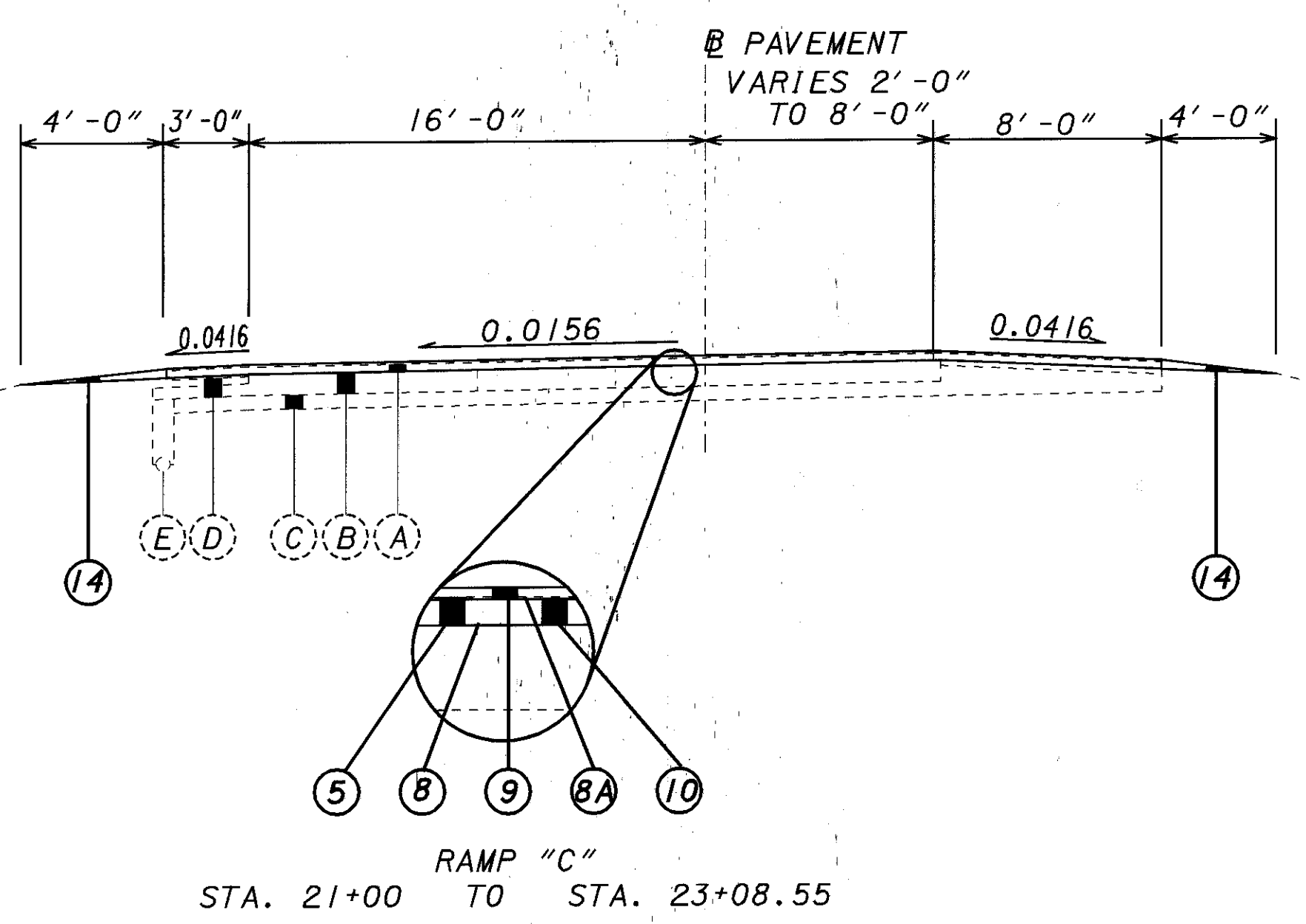
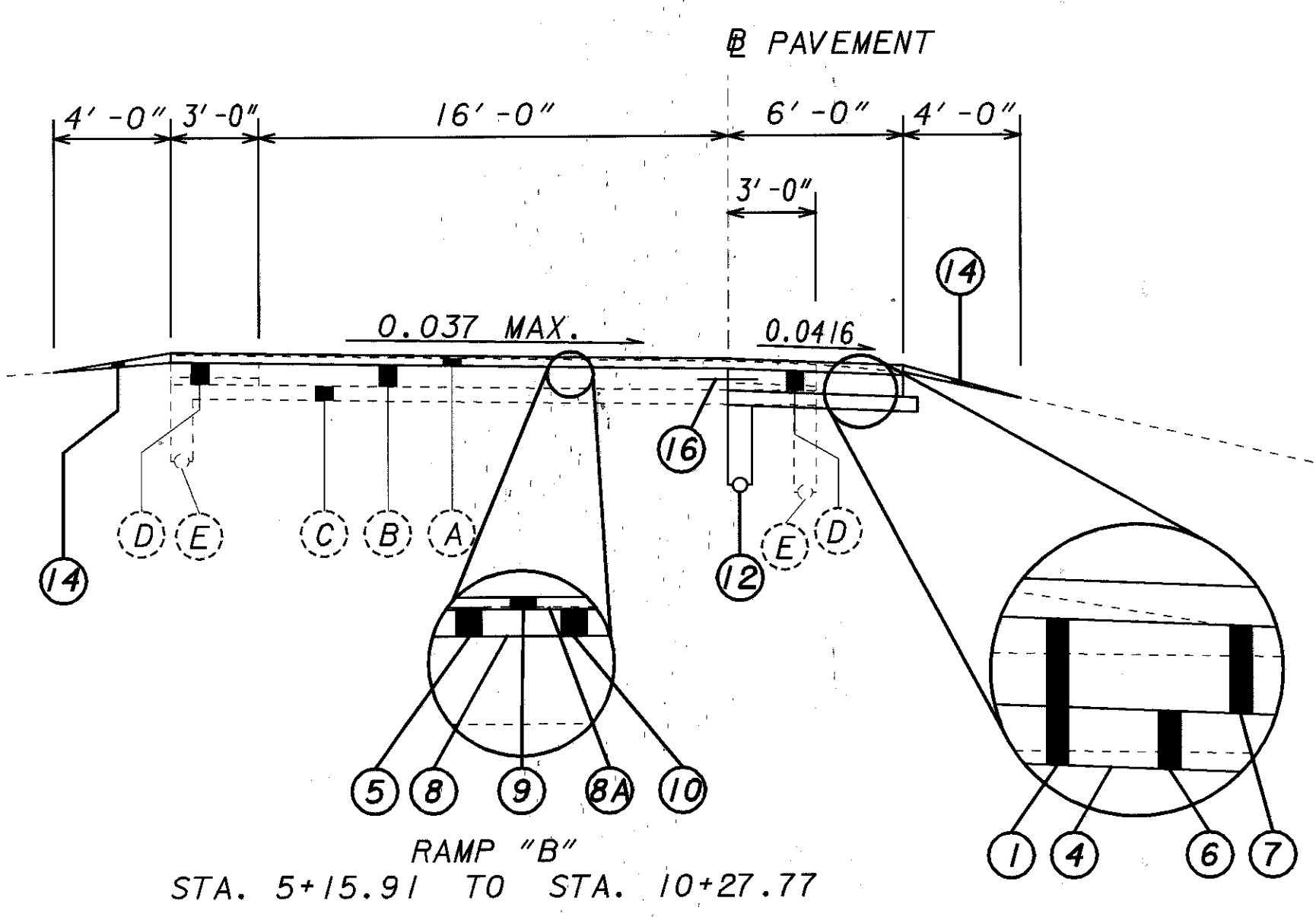
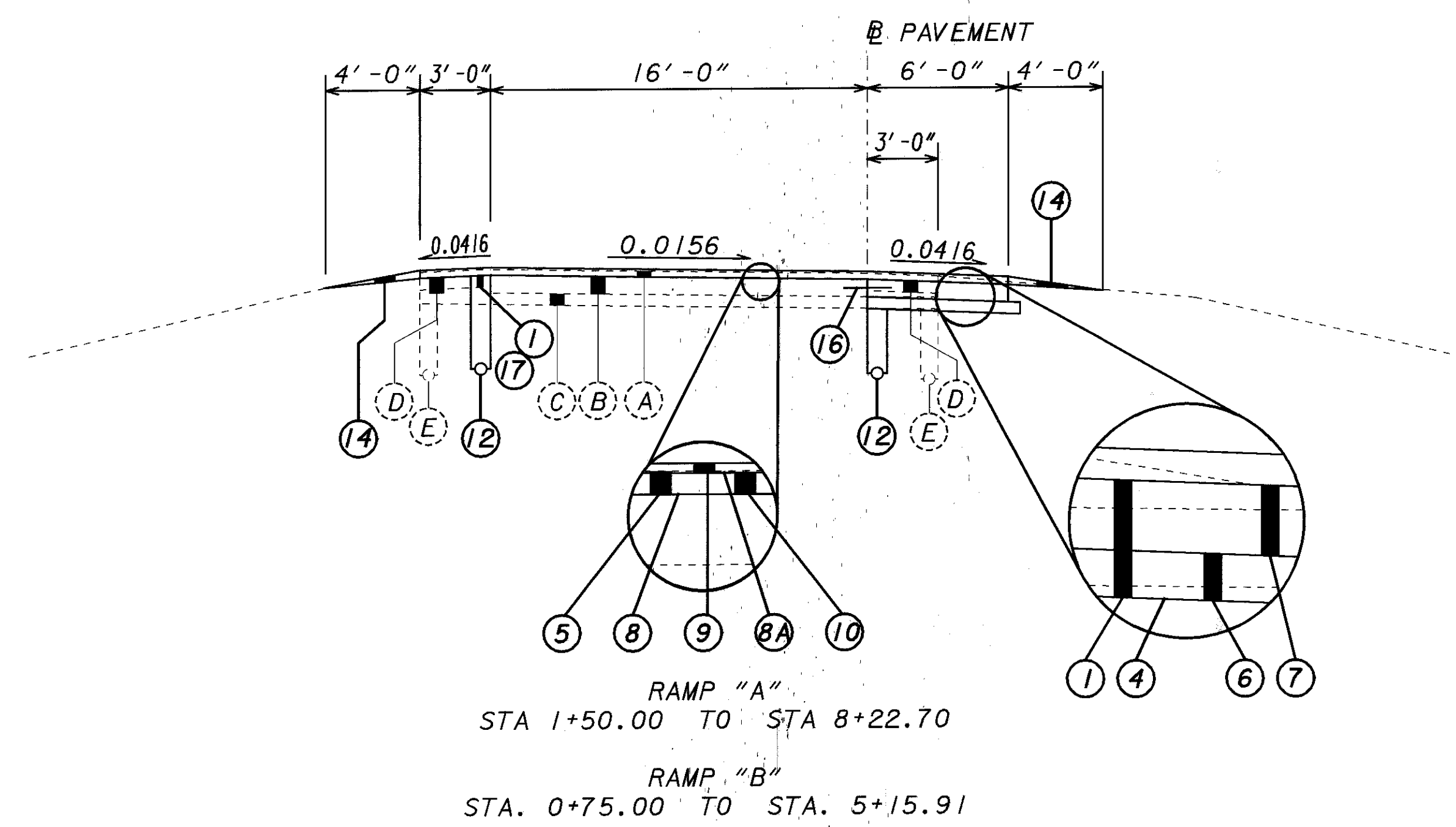


PLOT SUBMITTED: 10-FEB-1999 06:02

PLOTTED BY: fkonopka
PLOTTED FROM: i:\projects\p109866\09866.dgn



NOTE: TYPICALS ARE SHOWN IN THE DIRECTION OF TRAVEL

SEE SHEET 3 FOR LEGEND.

CALCULATED XXX
CHECKED XXX
SCALE IN FEET
0 5 10

TYPICAL SECTIONS - S.R. 44
S.R. 84 - RAMP TYPICALS

LAK-44-0.01

12
196