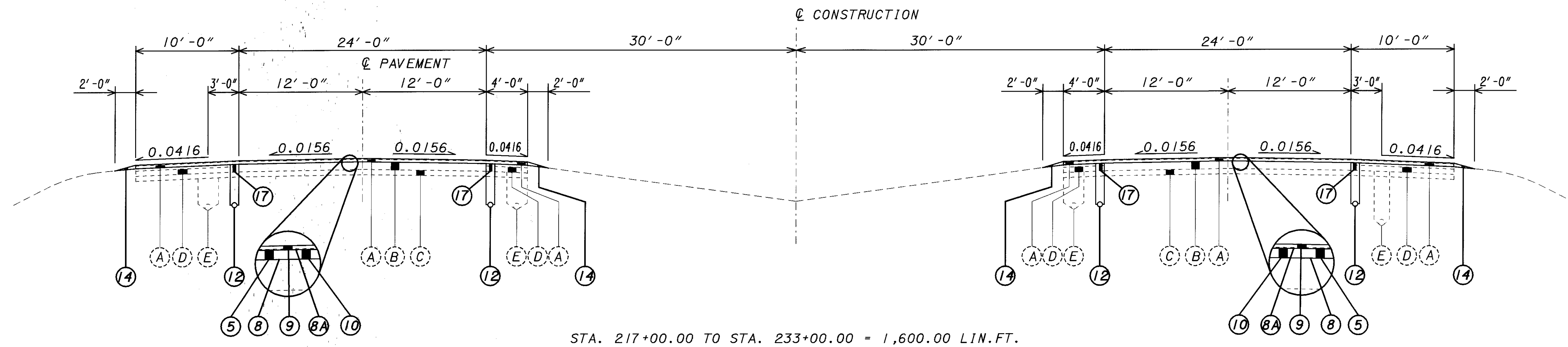


PLOT SUBMITTED: 10-FEB-1999 06:00

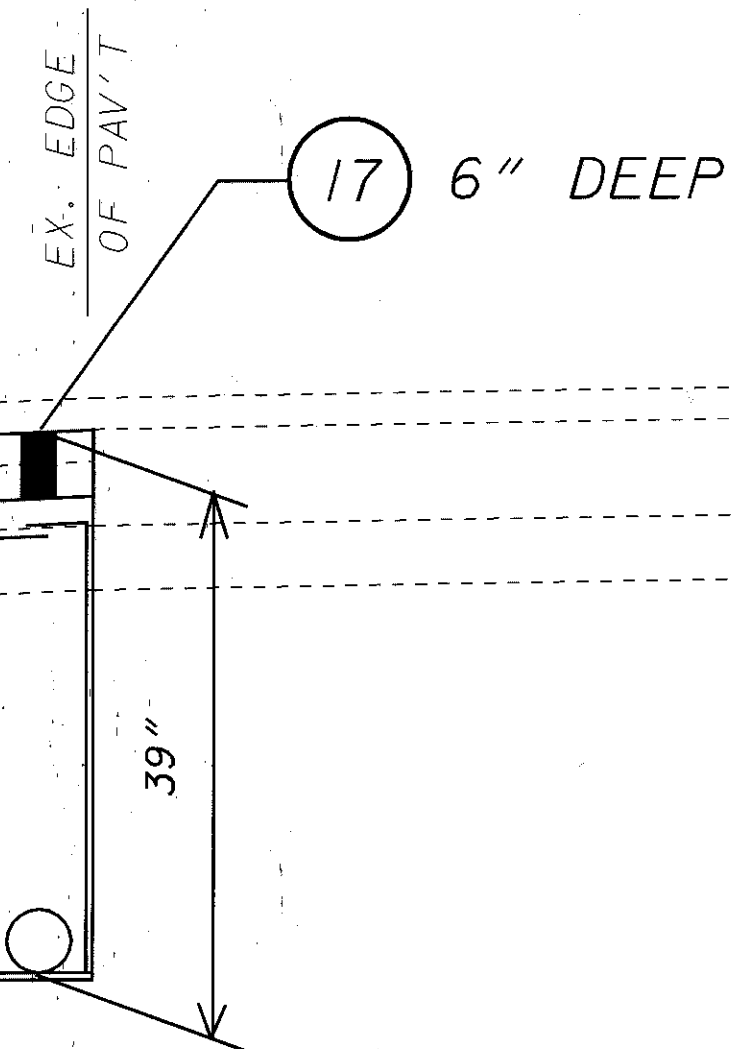
09866GYF.dgn

PLOTTED BY: fkonopka
PLOTTED FROM: i:\projects\pic09866\09866qyf.dgn

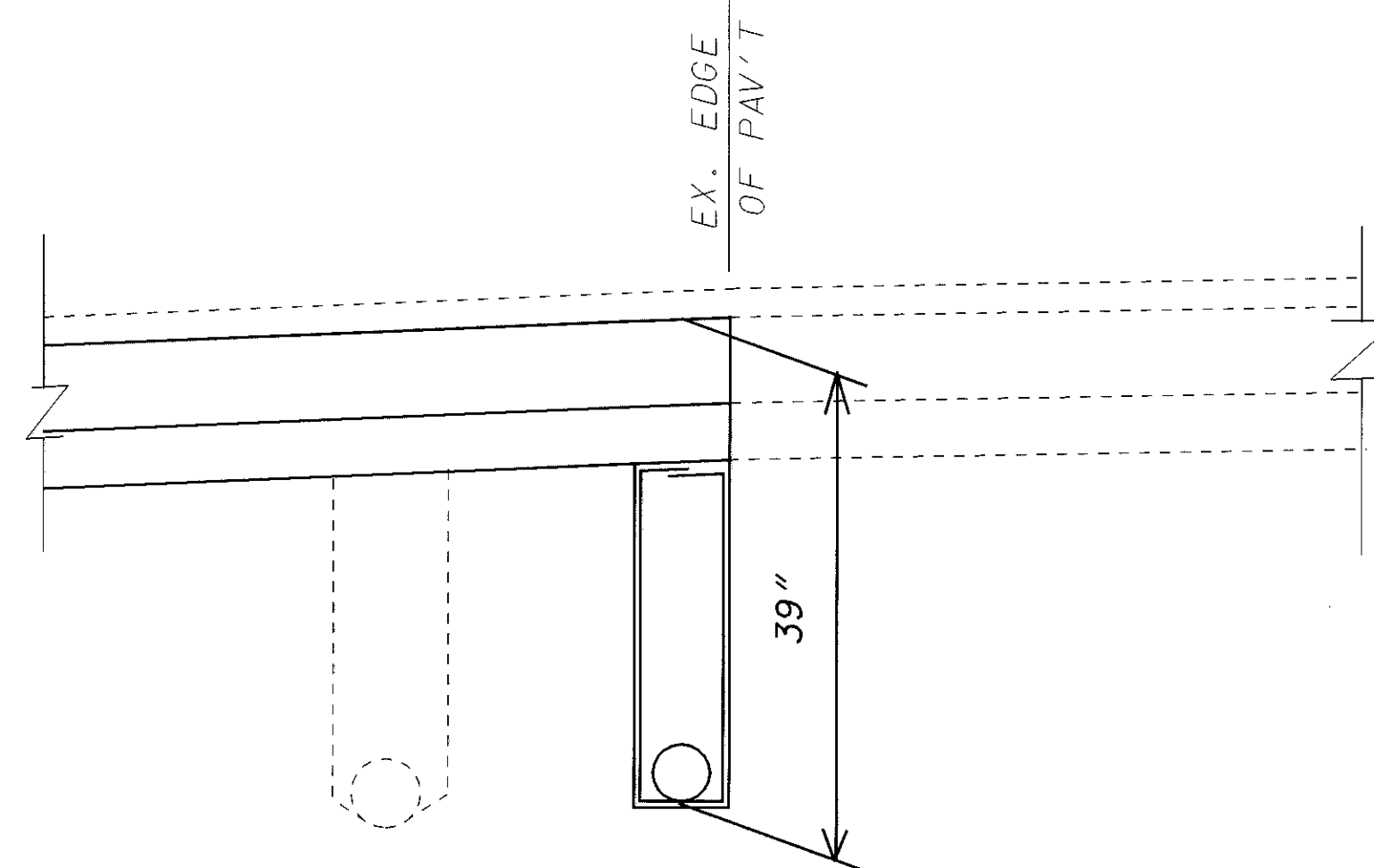


STA. 217+00.00 TO STA. 233+00.00 = 1,600.00 LIN.FT.

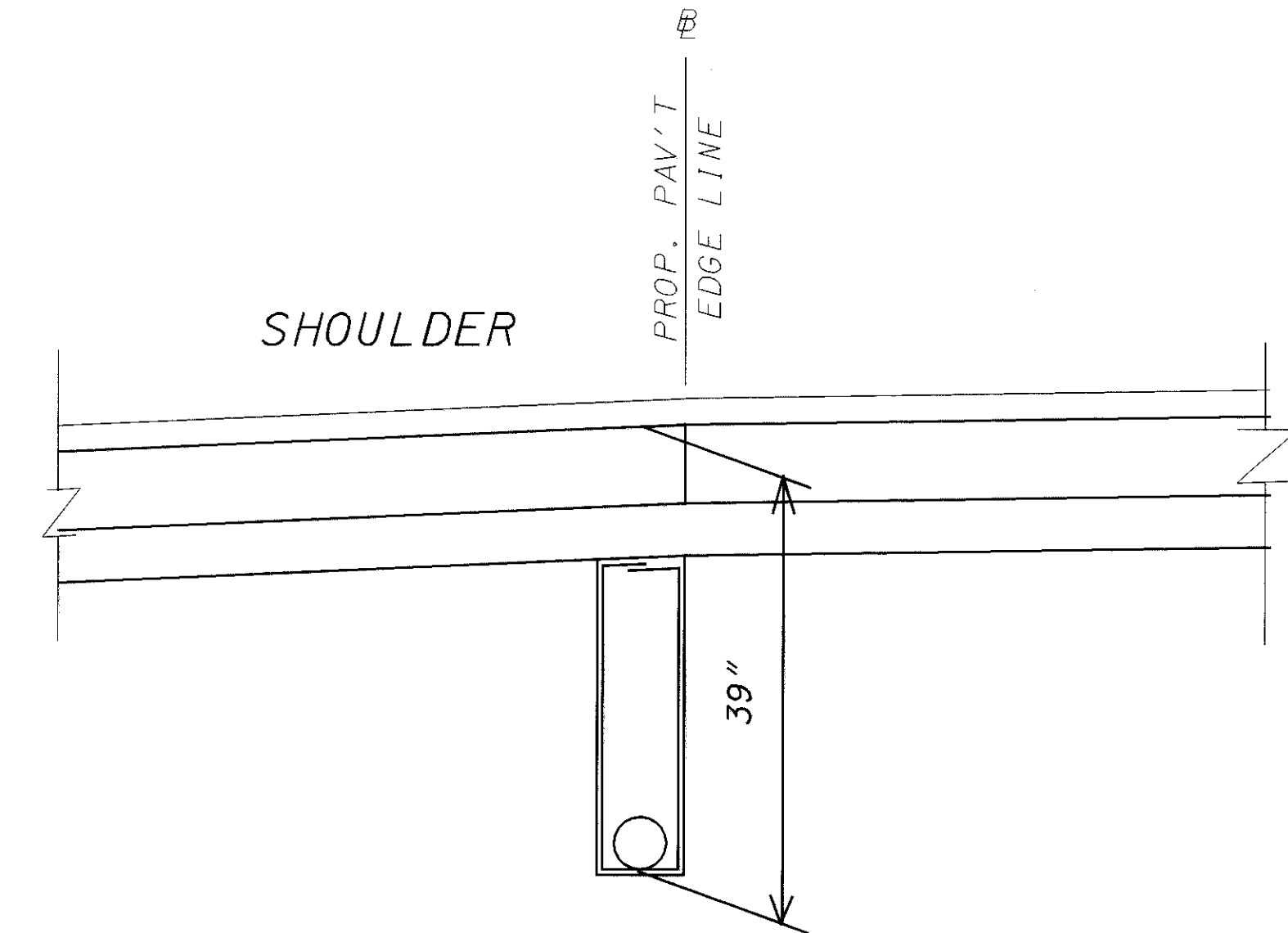
3" 605.03 BACKFILL ABOVE FABRIC



UNDER EX. SHOULDER



UNDER PROPOSED SHOULDER



UNDER NEW PAVEMENT

ITEM 605 - 6" SHALLOW PIPE UNDERDRAIN, WITH FABRIC WRAP, AS PER PLAN

SEE SHEET 3 FOR LEGEND

TYPICAL SECTIONS - S.R. 44

STA. 217+00.00 TO STA. 233+00.00

LAK-44-0.01

8
196

CALCULATED XXX
CHECKED XXX
SCALE IN FEET
0 6 12