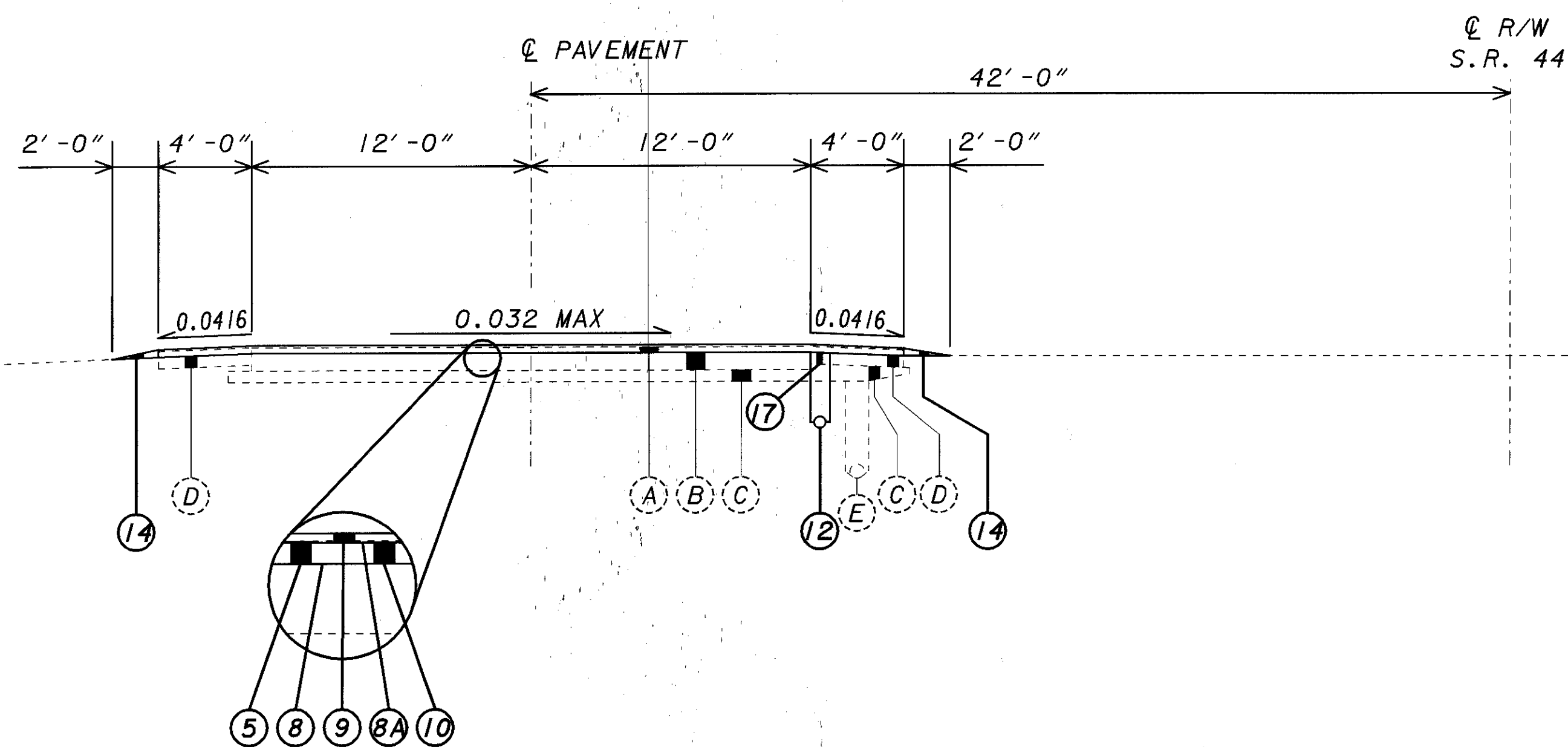


NORMAL 2 LANE UNDIVIDED SECTION
 STA. 0+78.10 TO STA. 3+28.10 = 250.00 LIN. FT.
 STA. 28+33.50 TO STA. 38+57.75 = 1,024.25 LIN. FT.
 TOTAL = 1,274.25 LIN. FT.



SUPERELEVATED 2 LANE UNDIVIDED SECTION
 STA. 3+28.10 TO STA. 15+87.00 = 1,258.90 LIN. FT.

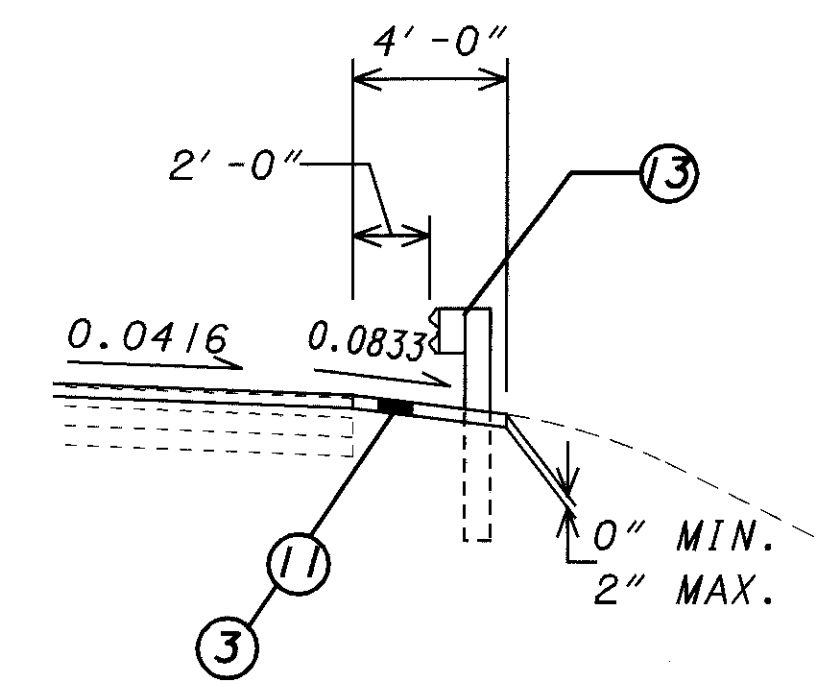
LEGEND

PROPOSED

- ① ITEM 203 - EXCAVATION NOT INCLUDING EMBANKMENT CONSTRUCTION
- ② ITEM 203 - EMBANKMENT, AS PER PLAN
- ③ ITEM 203 - LINEAR GRADING, AS PER PLAN
- ④ ITEM 203 - SUBGRADE COMPACTION
- ⑤ ITEM 254 - PAVEMENT PLANING, BITUMINOUS, AS PER PLAN
- ⑥ ITEM 304 - 6" AGGREGATE BASE, AS PER PLAN
- ⑦ ITEM 305 - 9" CONCRETE BASE, AS PER PLAN (*)
- ⑦A ITEM 305 - 10" CONCRETE BASE, AS PER PLAN (*)
- ⑧ ITEM 407 - TACK COAT
- ⑧A ITEM 407 - TACK COAT FOR INTERMEDIATE COURSE
- ⑨ ITEM 858 - 1-1/2" ASPHALT CONCRETE SURFACE COURSE, 12.5mm, TYPE A (446)
- ⑩ ITEM 858 - 2-1/2" ASPHALT CONCRETE INTERMEDIATE COURSE, 19mm, TYPE A (446)
- ⑪ ITEM 448 - 3" ASPHALT CONCRETE INTERMEDIATE COURSE, TYPE 1, PG64-22, (UNDER GUARDRAIL)
- ⑫ ITEM 605 - 6" SHALLOW PIPE UNDERDRAIN, WITH FABRIC WRAP, AS PER PLAN (SEE SHEET 8)
- ⑬ ITEM 606 - GUARDRAIL, TYPE 5
- ⑭ ITEM 617 - COMPACTED AGGREGATE, TYPE A, AS PER PLAN
- ⑮ ITEM 659 - SEEDING AND MULCHING
- ⑯ TIED LONGITUDINAL JOINT (*)
- ⑰ ITEM 301 - BITUMINOUS AGGREGATE BASE, PG64-22, (6" DEEP)
- ⑱ ITEM 202 - PAVEMENT REMOVED
- ⑲ ITEM 451 - 12" CONCRETE PAVEMENT

EXISTING

- Ⓐ ASPHALT OVERLAY (3"±)
- Ⓑ 9" REINFORCED CONCRETE BASE
- Ⓒ SUBBASE
- Ⓓ BIT. AGGREGATE BASE OR AGGREGATE BASE
- Ⓔ UNDERDRAIN
- Ⓕ AGGREGATE BASE
- Ⓖ 9" PLAIN CONCRETE BASE
- Ⓗ 10" REINFORCED CONCRETE BASE
- Ⓘ GUARDRAIL
- ⓵ AGGREGATE DRAIN



**TYPICAL SHOULDER TREATMENT
 GUARDRAIL AND NO CURB**

* TYPE D JOINT AS PER BP-2JM USING # 5 DEFORMED BAR (709.00) AND EPOXY GROUT (705.20).
 THE COST OF THIS WORK SHALL BE INCLUDED IN THE UNIT PRICE BID FOR
 ITEM 305 - CONCRETE BASE, AS PER PLAN.

± APPROACH SLAB SIMILAR TO TYPICAL EXCEPT Ⓑ IS 14"