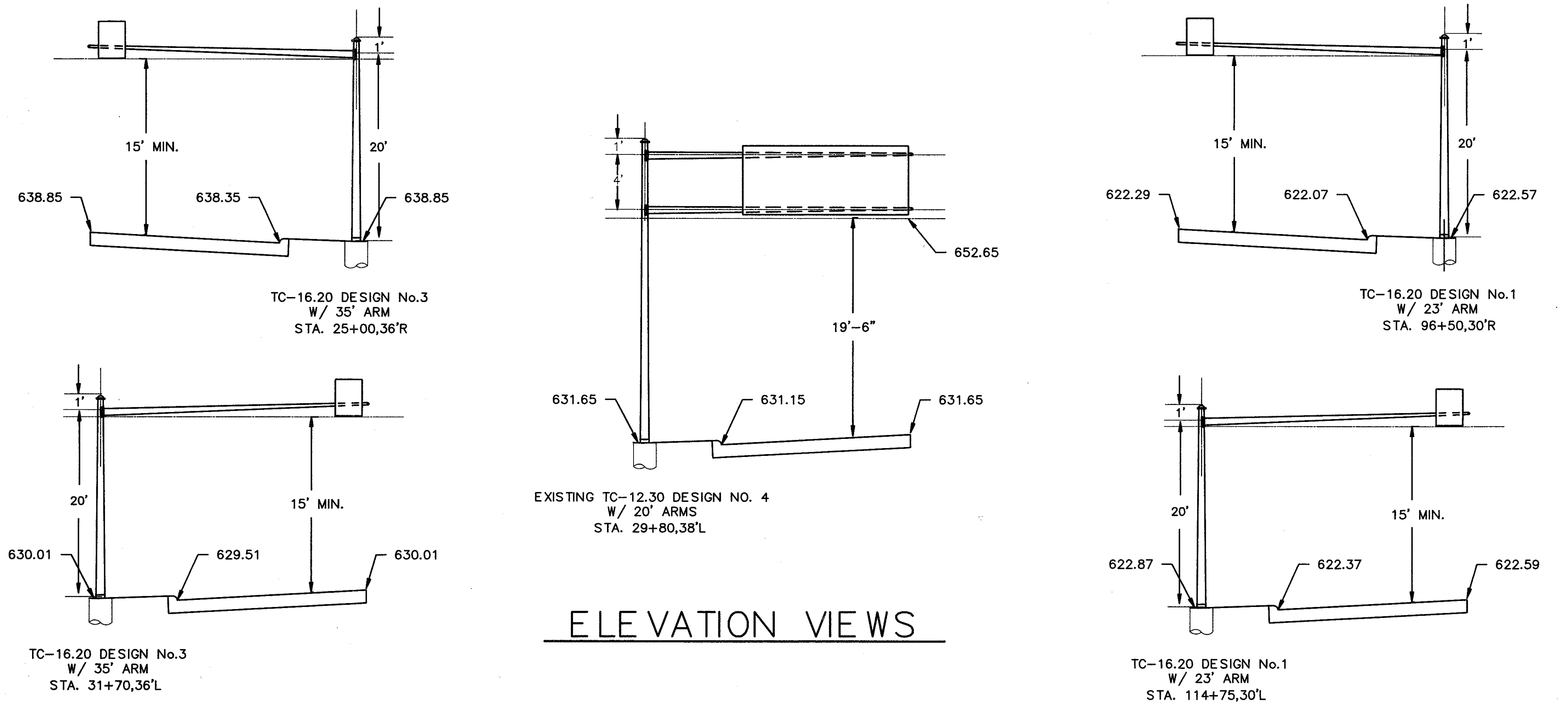


**SCHOOL SIGN FLASHER DIAGRAM**



**ELEVATION VIEWS**

\* DENOTES QUANTITIES ACCOUNTED FOR IN TRAFFIC CONTROL SIGNAL PLAN SUB-SUMMARIES

SUB SUMMARY			
ITEM	DESCRIPTION	UNITS	QTY
625	PULL BOX, 713.08, 18"	EACH	10
625	CONDUIT, 2", 713.07, TYPE DB	LIN FT	1583
625	CONDUIT, CONCRETE ENCASED, 3", 713.07	LIN FT	165
625	TRENCH	LIN FT	1748
632	SIGNAL CABLE, 5-CONDUCTOR, 14 AWG	LIN FT	2138
631	TIMER WITH ENCLOSURE	EACH	1