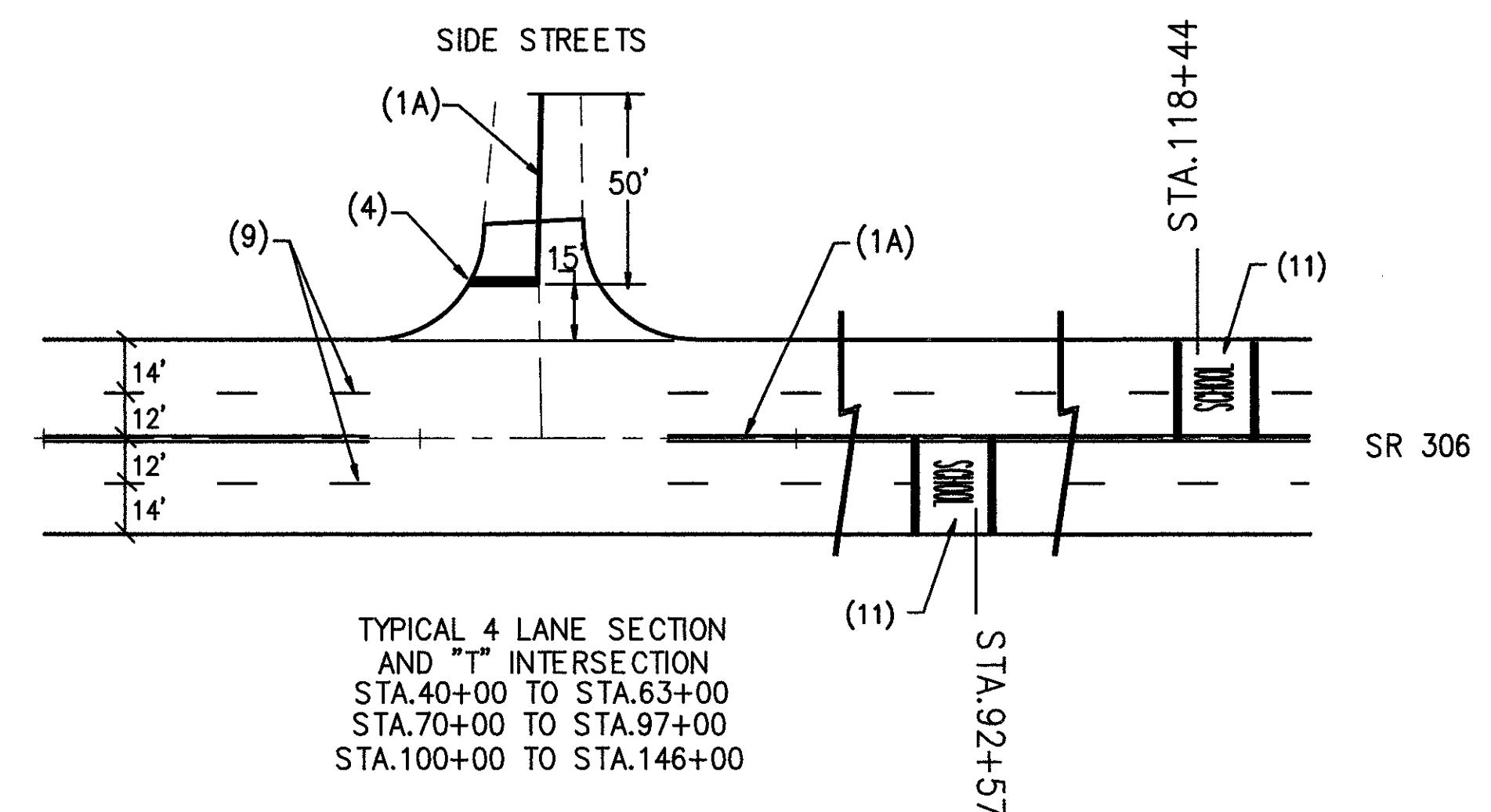
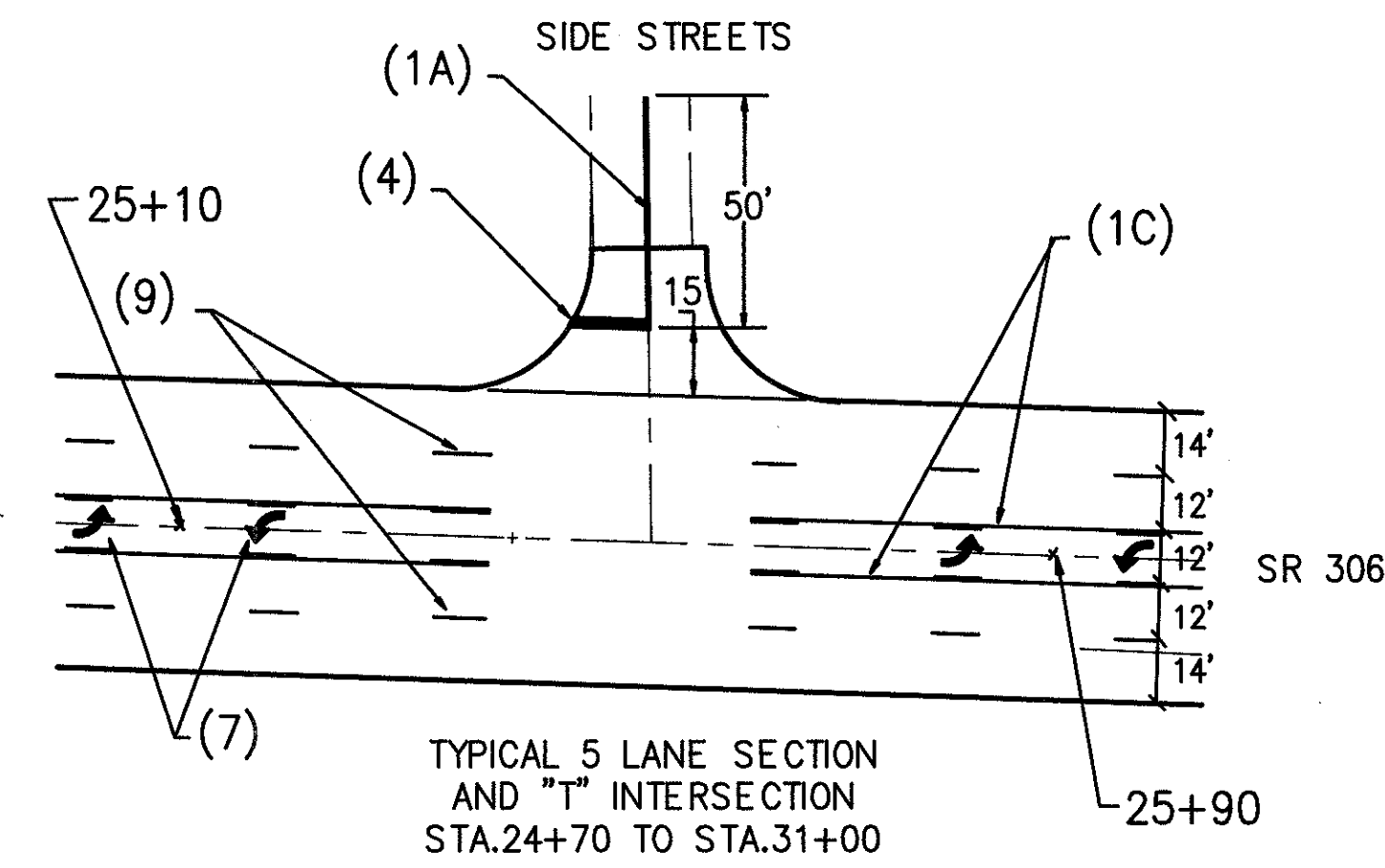


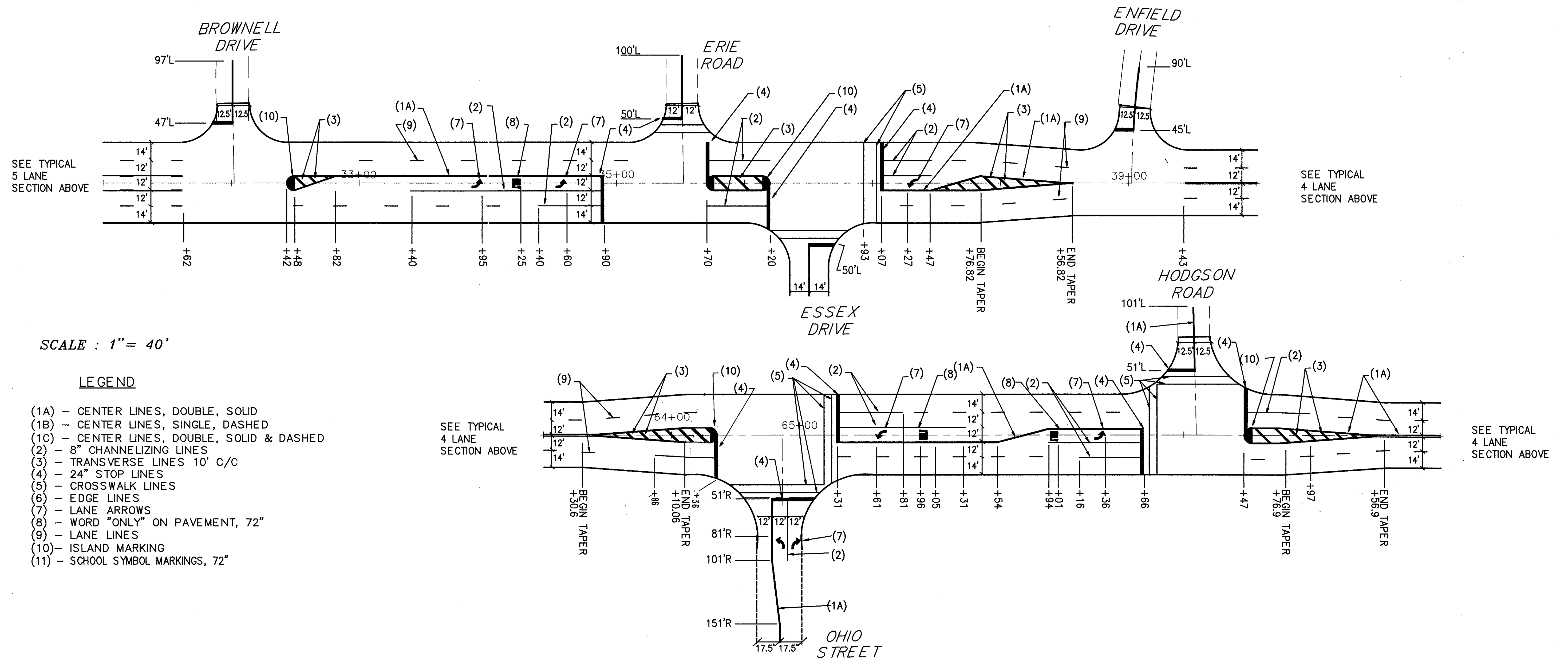
BEGIN WORK
STA. 24+70



FOR DETAILS OF BELLFLOWER RD.
AND LAKESHORE BLVD. INTERSECTIONS
SEE SHEET 353
FOR TRAFFIC CONTROL GENERAL SUMMARY SEE SHEET 336-337
FOR PAVEMENT MARKING SUB-SUMMARY SEE SHEET 350-351

SEE SPECIAL DETAIL BELOW FOR 5 LANE SECTION AND INTERSECTIONS AT: BROWNELL DR., ERIE RD., ENFIELD DR., OHIO ST., AND HODGSON RD.

NOTE: ALL CROSSWALKS ON SR 306 & SR 283 SHALL BE 10' WIDE.
NOTE: ALL CROSSWALKS ON SIDE STREETS OFF OF SR 306 SHALL BE 8' WIDE.



SCALE : 1" = 40'

LEGEND

- (1A) - CENTER LINES, DOUBLE, SOLID
- (1B) - CENTER LINES, SINGLE, DASHED
- (1C) - CENTER LINES, DOUBLE, SOLID & DASHED
- (2) - 8" CHANNELIZING LINES
- (3) - TRANSVERSE LINES 10' C/C
- (4) - 24" STOP LINES
- (5) - CROSSWALK LINES
- (6) - EDGE LINES
- (7) - LANE ARROWS
- (8) - WORD "ONLY" ON PAVEMENT, 72"
- (9) - LANE LINES
- (10) - ISLAND MARKING
- (11) - SCHOOL SYMBOL MARKINGS, 72"