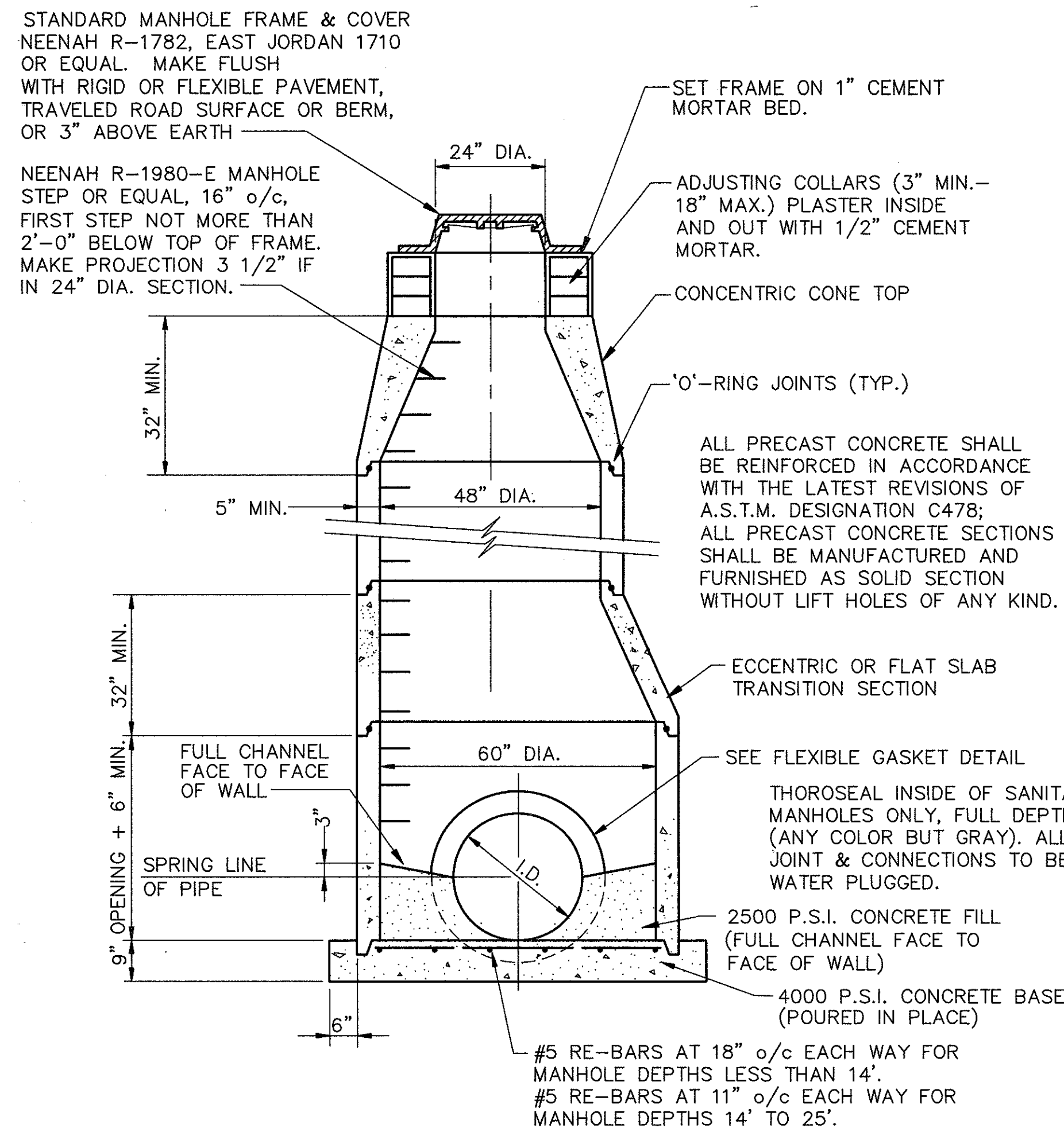
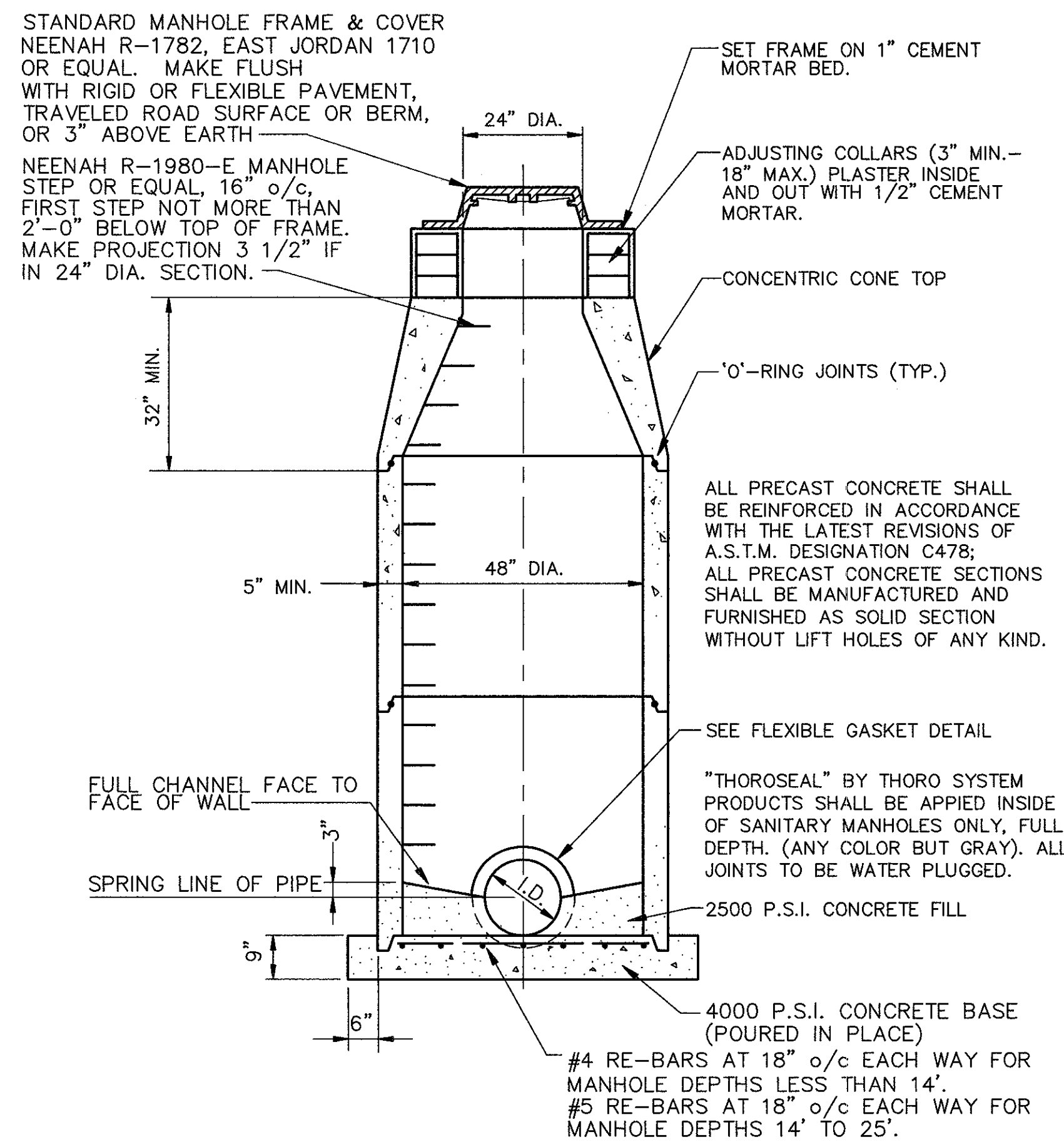


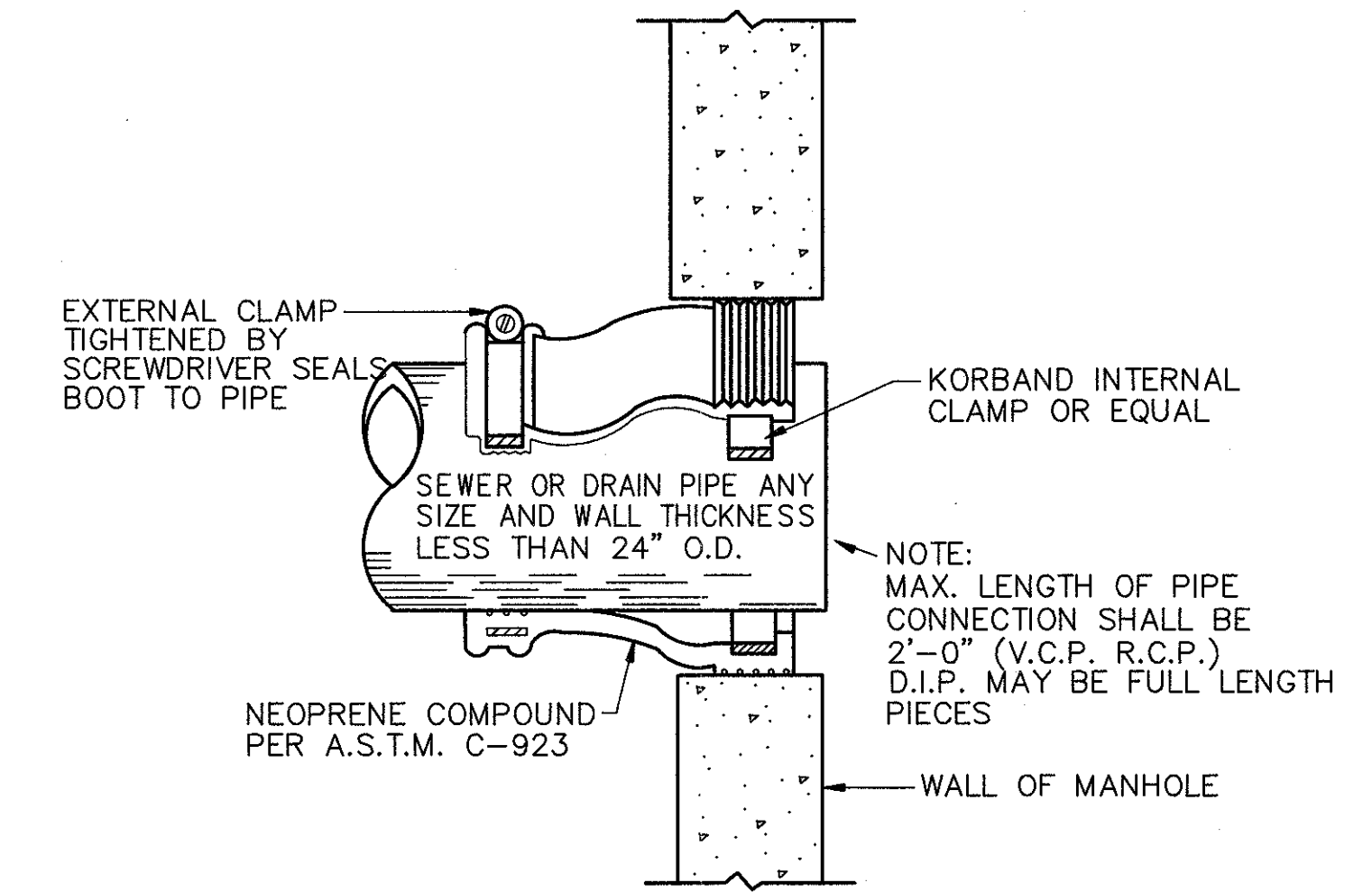
# SANITARY SEWER DETAILS



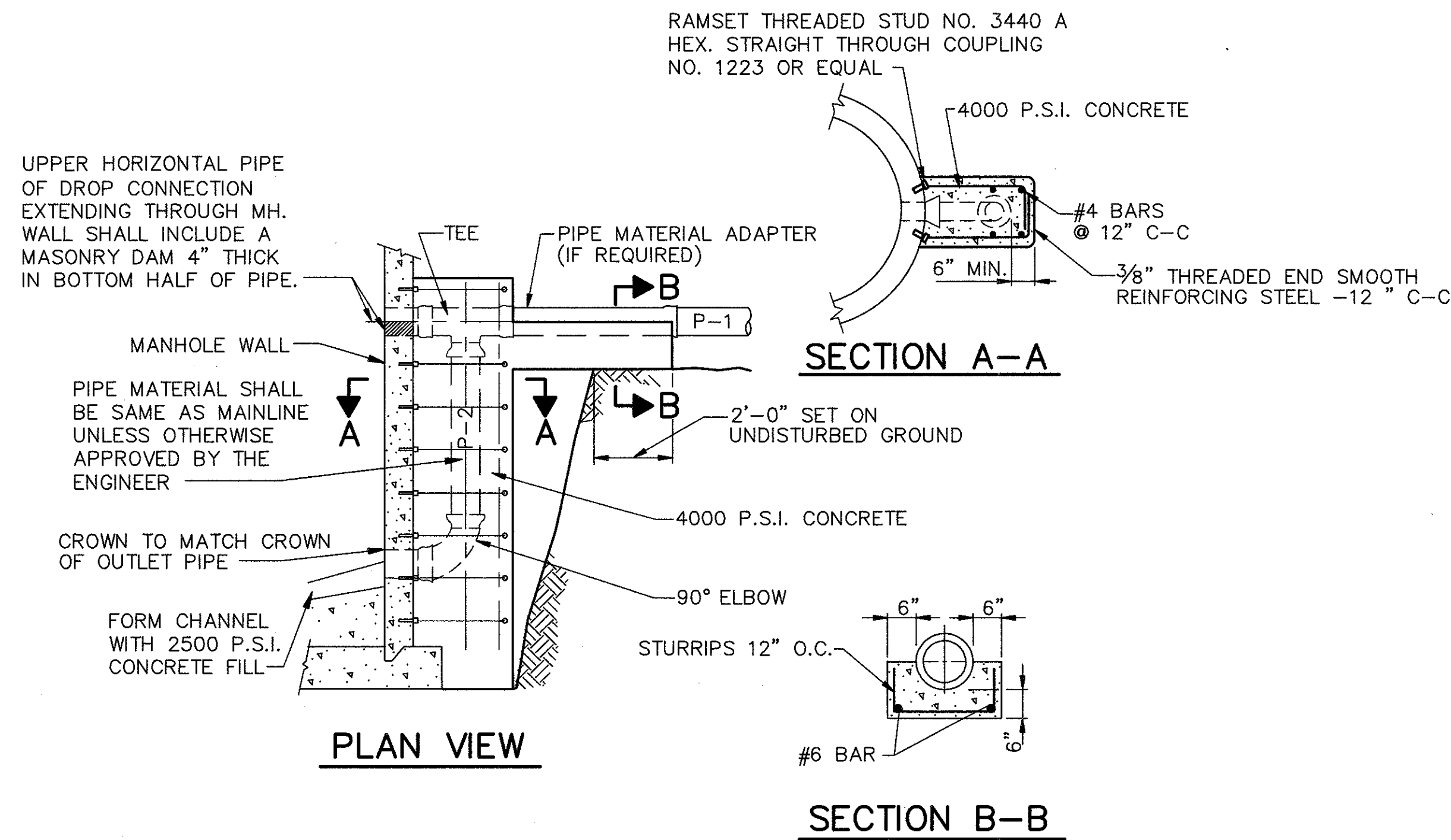
**ITEM 604 - MANHOLE, AS PER PLAN, TYPE B**  
(27" TO 42" I.D.)  
(LAKE COUNTY SANITARY ENGINEER ONLY)



**ITEM 604 - MANHOLE, AS PER PLAN, TYPE A**  
(24" I.D. OR LESS)  
(LAKE COUNTY SANITARY ENGINEER ONLY)



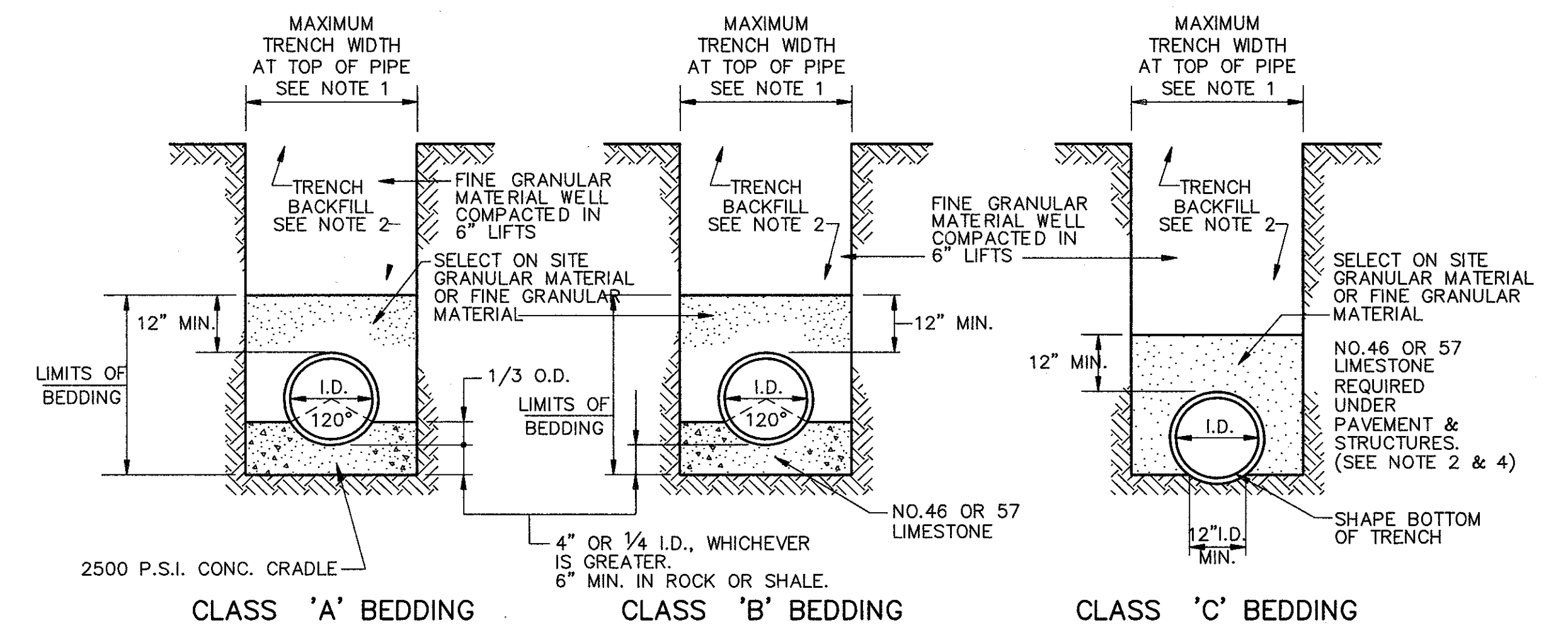
**SANITARY SEWER  
FLEXIBLE GASKET DETAIL**  
(LAKE COUNTY SANITARY ENGINEER ONLY)



**SANITARY MANHOLE DROP CONNECTION**

TABLE OF DIMENSIONS

P-1	P-2
6"	6"
8"	6"
10"	6"
12"	8"
15"	8"
18"	10"
21"	10"
24"	12"



**NOTES:**

- MAXIMUM TRENCH AT TOP OF PIPE SHALL BE O.D.+24" FOR ALL PIPES UP TO AND INCLUDING 24" I.D.; O.D.+30" FOR PIPE LARGER THAN 24" I.D.
- PIPE BACKFILL UNDER PAVEMENT AND STRUCTURES SHALL BE NO.46 OR NO. 57 LIMESTONE COMPACTED TO TOP OF TRENCH. THE BACKFILL MATERIAL SHALL EXTEND A MINIMUM OF 3 FEET BEYOND EACH EDGE OF PAVEMENT OR STRUCTURE. IN AREAS OUTSIDE OF PAVEMENT, SELECT ON-SITE GRANULAR MATERIAL APPROVED BY LAKE COUNTY SANITARY ENGINEER MAY BE USED IN LIFTS NOT TO EXCEED 6" FOR PIPE BACKFILL ABOVE BEDDING.
- ALL BEDDING SHALL BE CLASS "B" UNLESS OTHERWISE NOTED ON THE PLANS OR AUTHORIZED BY THE ENGINEER.
- SLAG BEDDING SHALL NOT BE USED.
- WATER LINE BEDDING SHALL BE CLASS "C".
- CLAY DAMS SHALL BE REQUIRED WHEN AND WHERE NECESSARY PER THE SOLE DISCRETION OF THE LAKE COUNTY SANITARY ENGINEER.

LAKE COUNTY DEPARTMENT OF UTILITIES  
**TRENCH & BEDDING DETAILS**