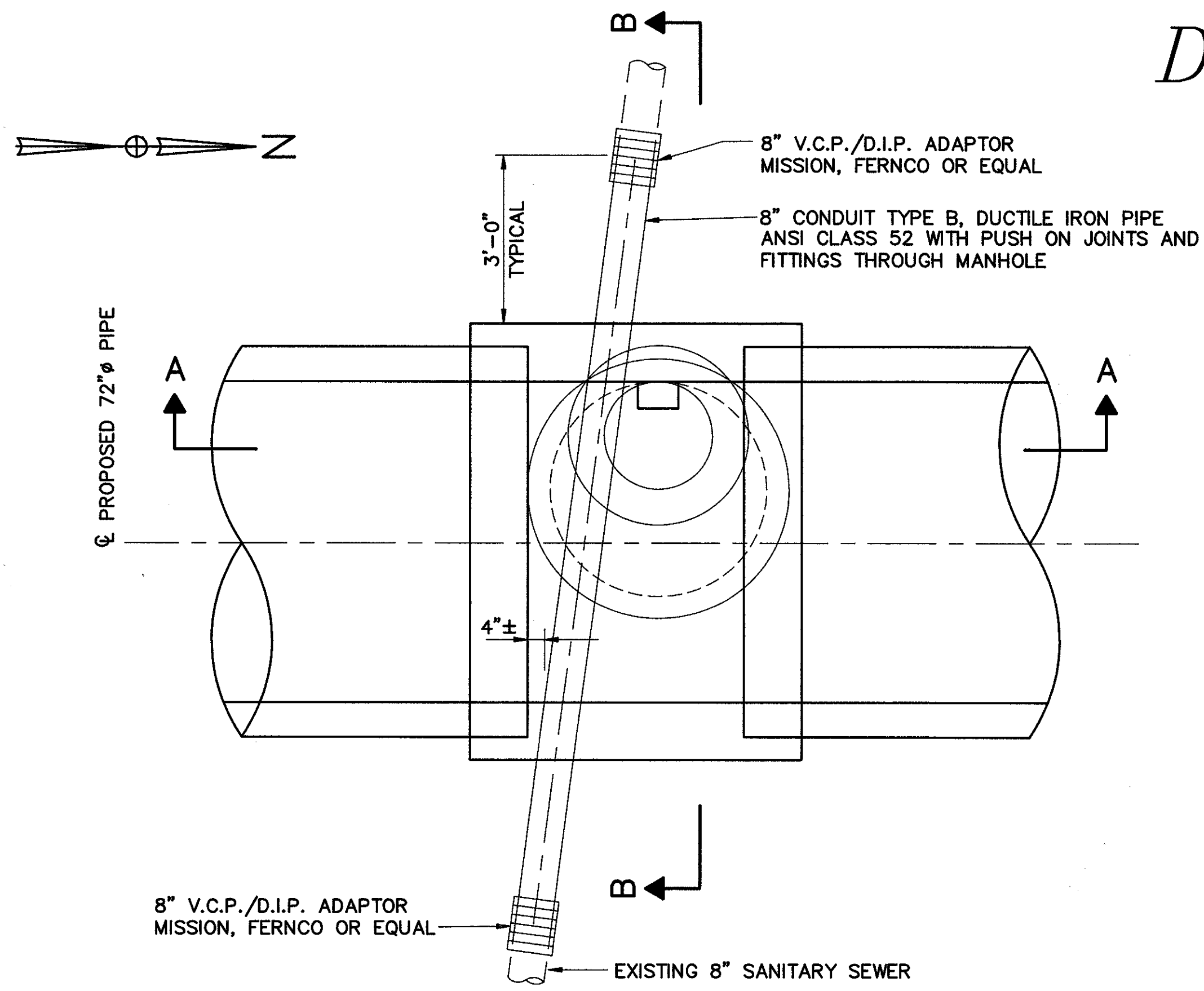
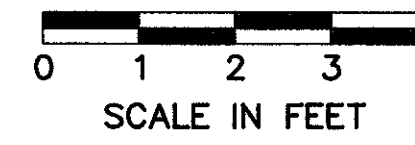


# DRAINAGE DETAILS

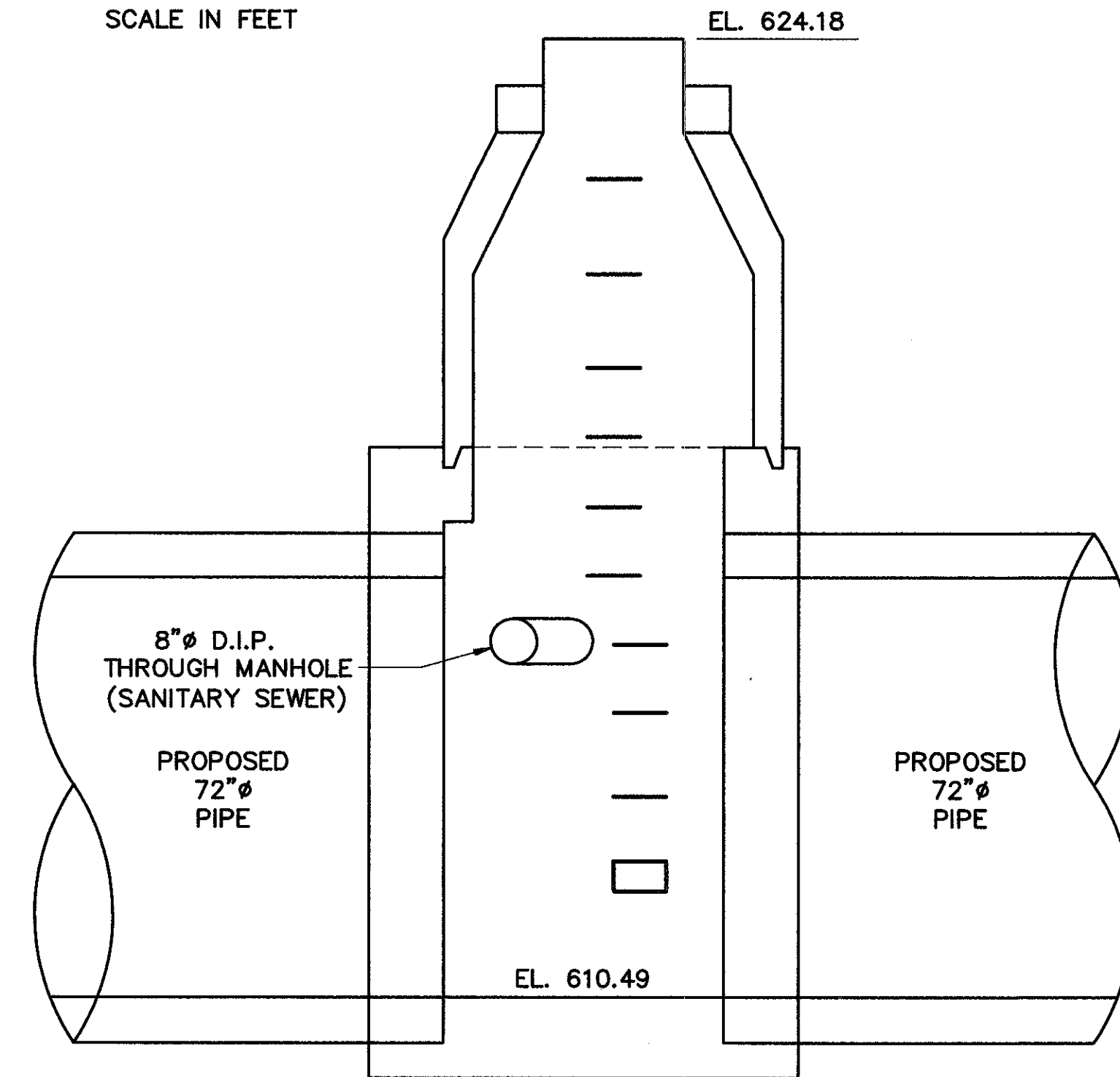
CALC. BY		OHIO	326
DATE		FHWA 5	452
CHKD. BY		REGION	
DATE			

LAK - 306 - 7.12

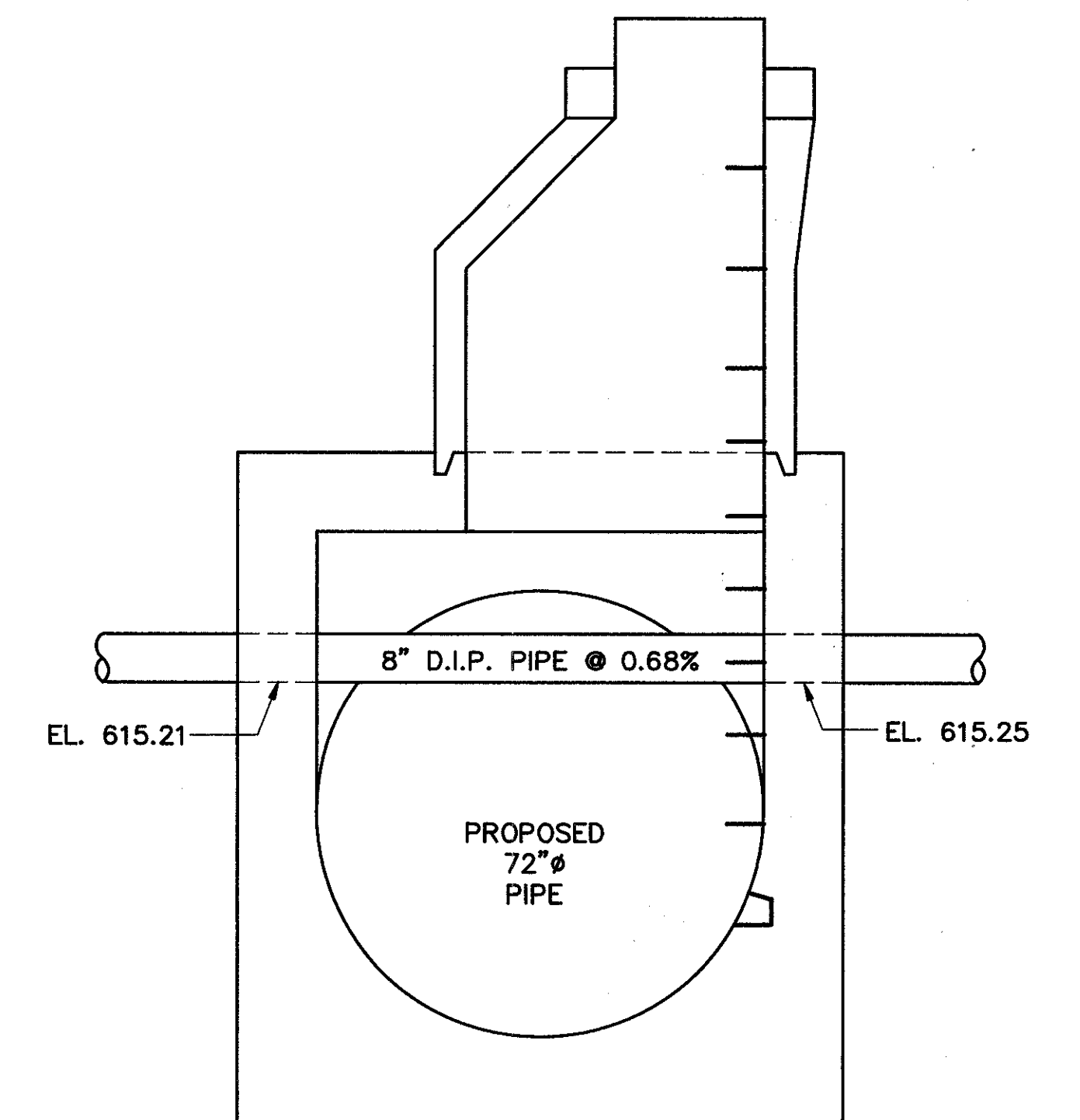


PLAN

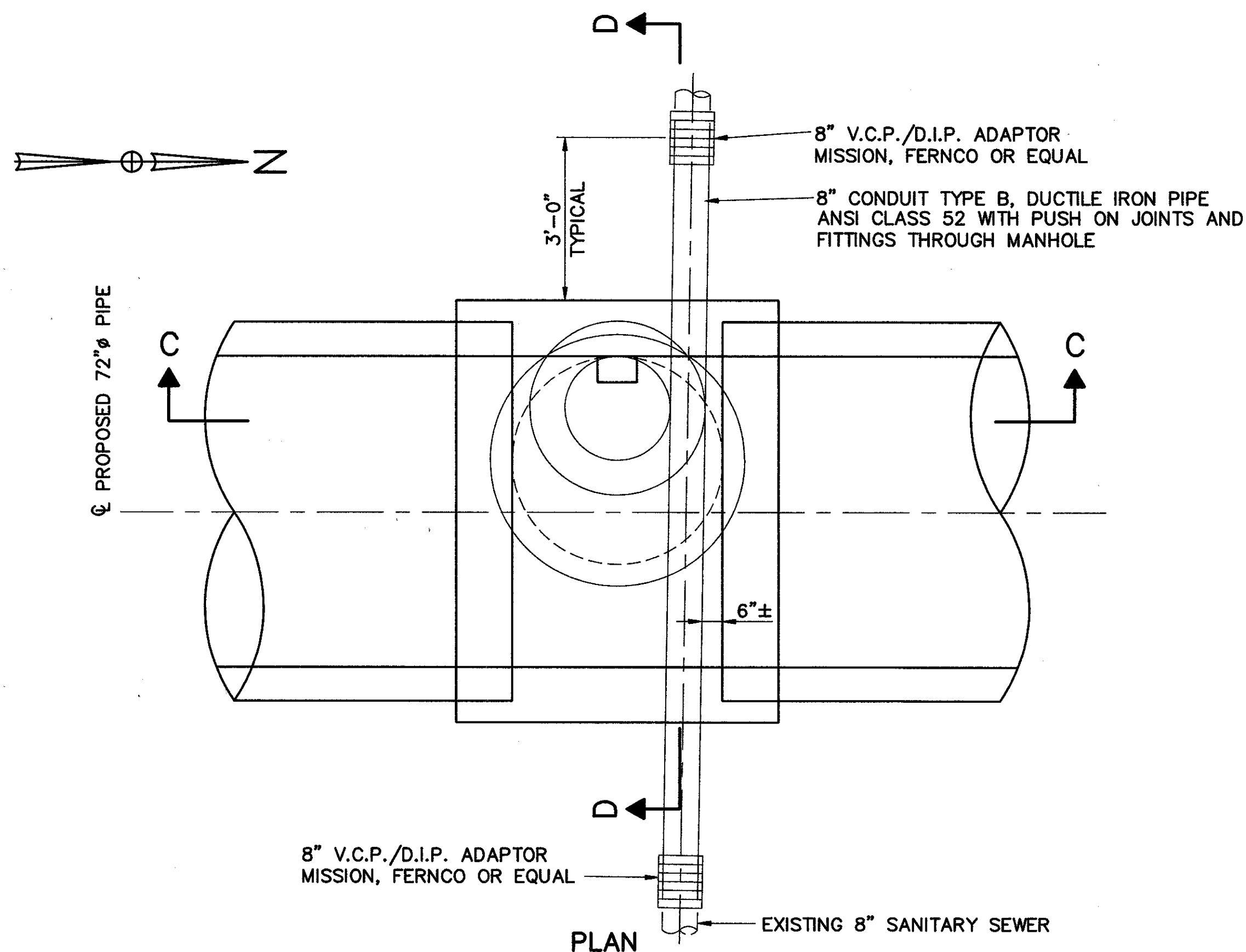
MANHOLE NO. 5, AS PER PLAN, TYPE II  
STA. 65+30.00, 25.00' LT.



SECTION A-A

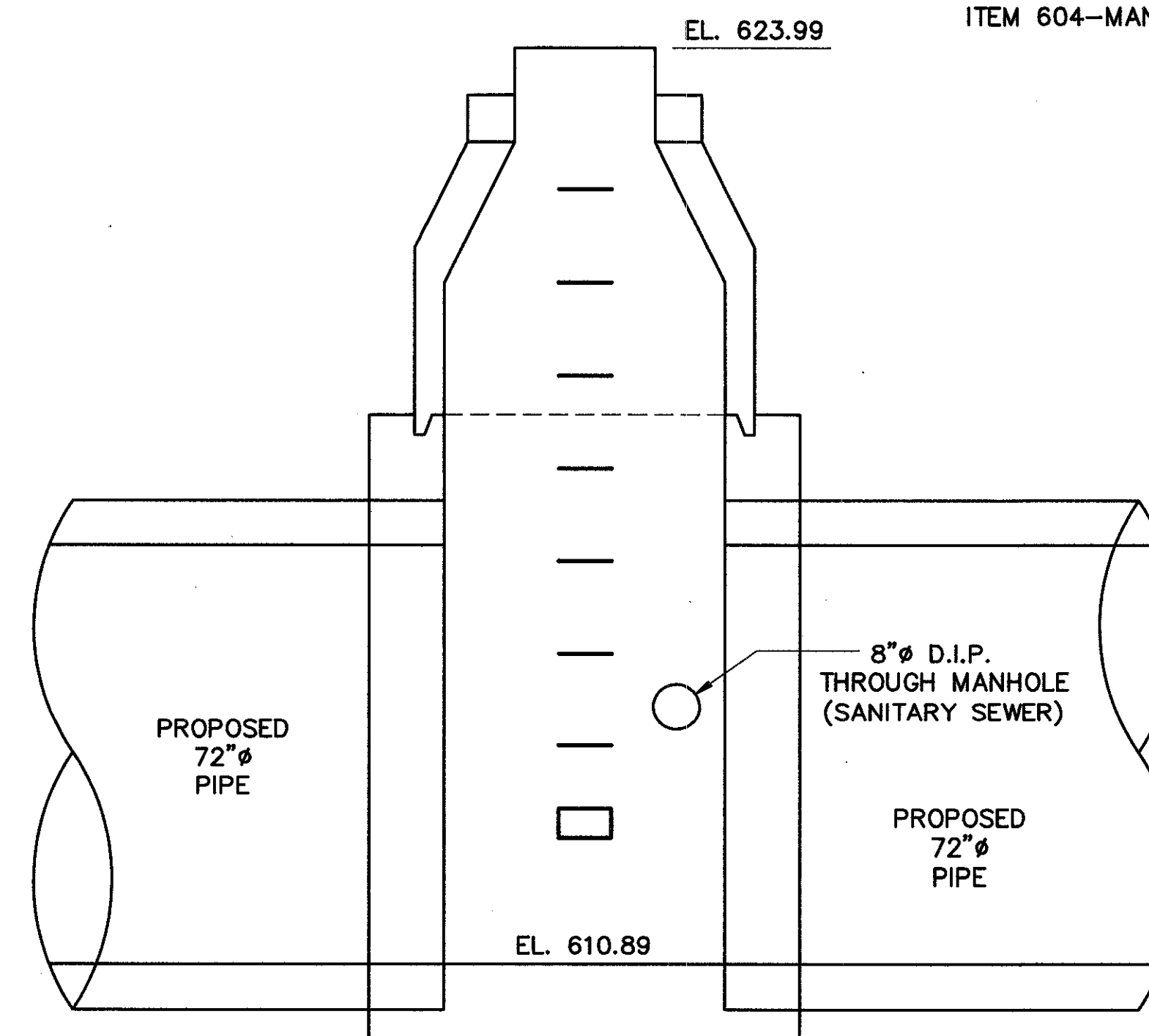


SECTION B-B

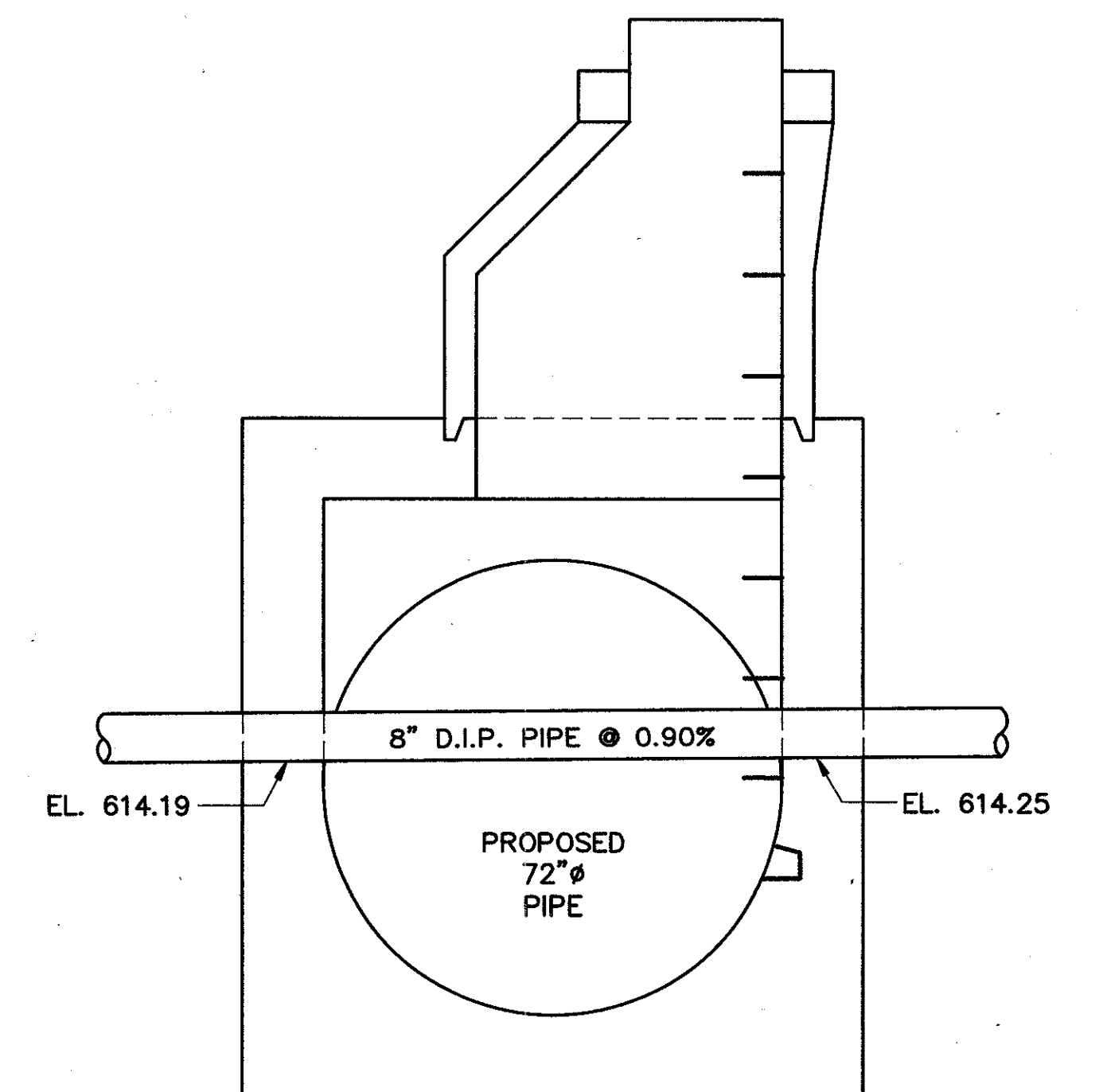


PLAN

MANHOLE NO. 5, AS PER PLAN, TYPE III  
STA. 67+82.00, 25.00' LT.



SECTION C-C



SECTION D-D

NOTE: FOR REINFORCING STEEL, ADDITIONAL DIMENSIONS AND DETAILS SEE STD. CONSTR. DRAWING MH-5.  
THE DUCTILE IRON PIPE AND COUPLINGS SHOWN ON THESE DETAILS SHALL BE INCLUDED IN THE UNIT PRICE BID FOR ITEM 604-MANHOLE NO. 5, AS PER PLAN, TYPE II AND ITEM 604-MANHOLE NO. 5, AS PER PLAN, TYPE III