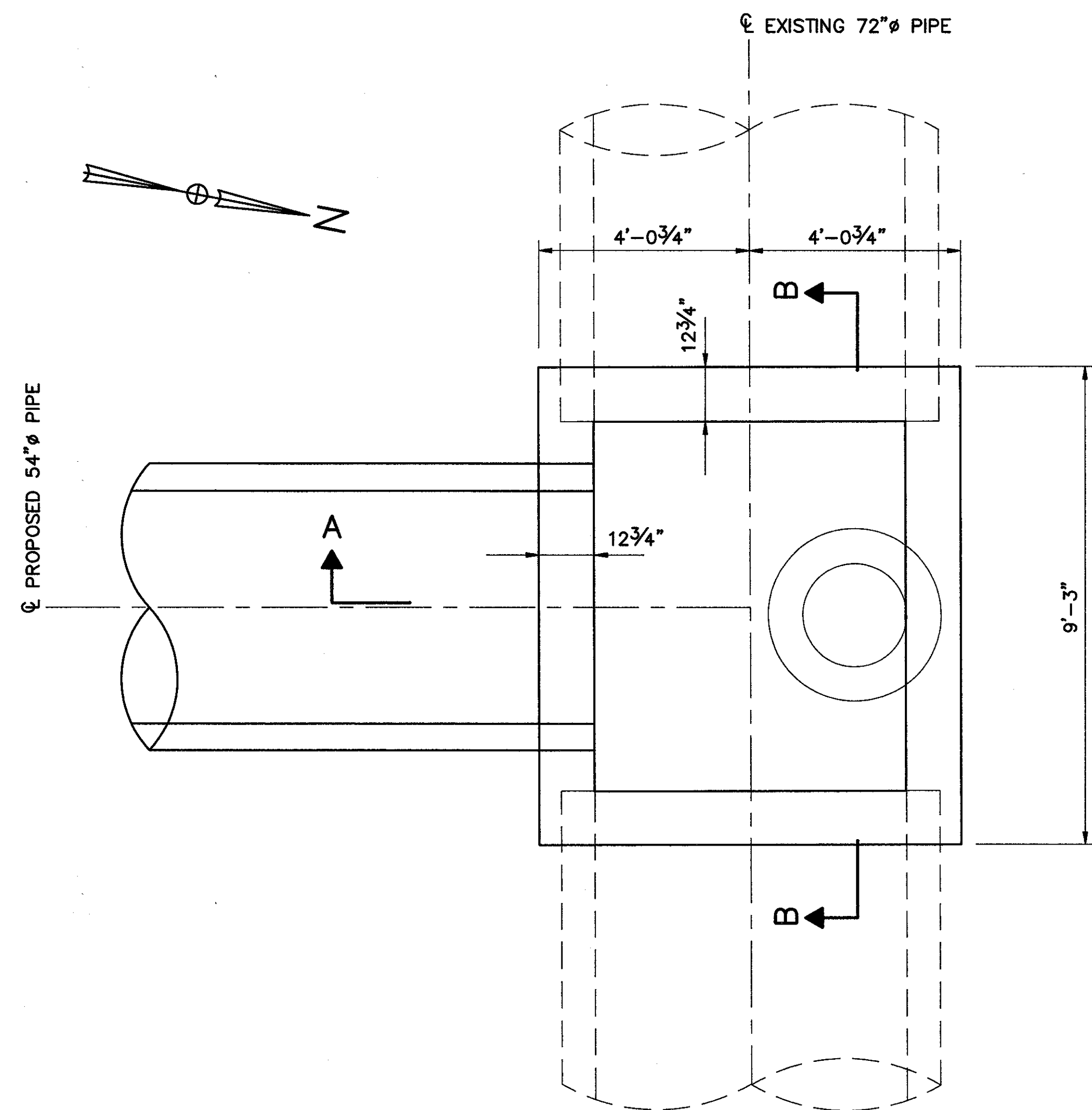
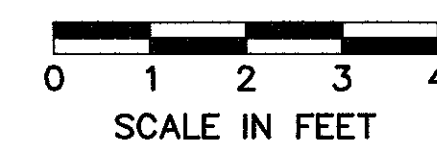
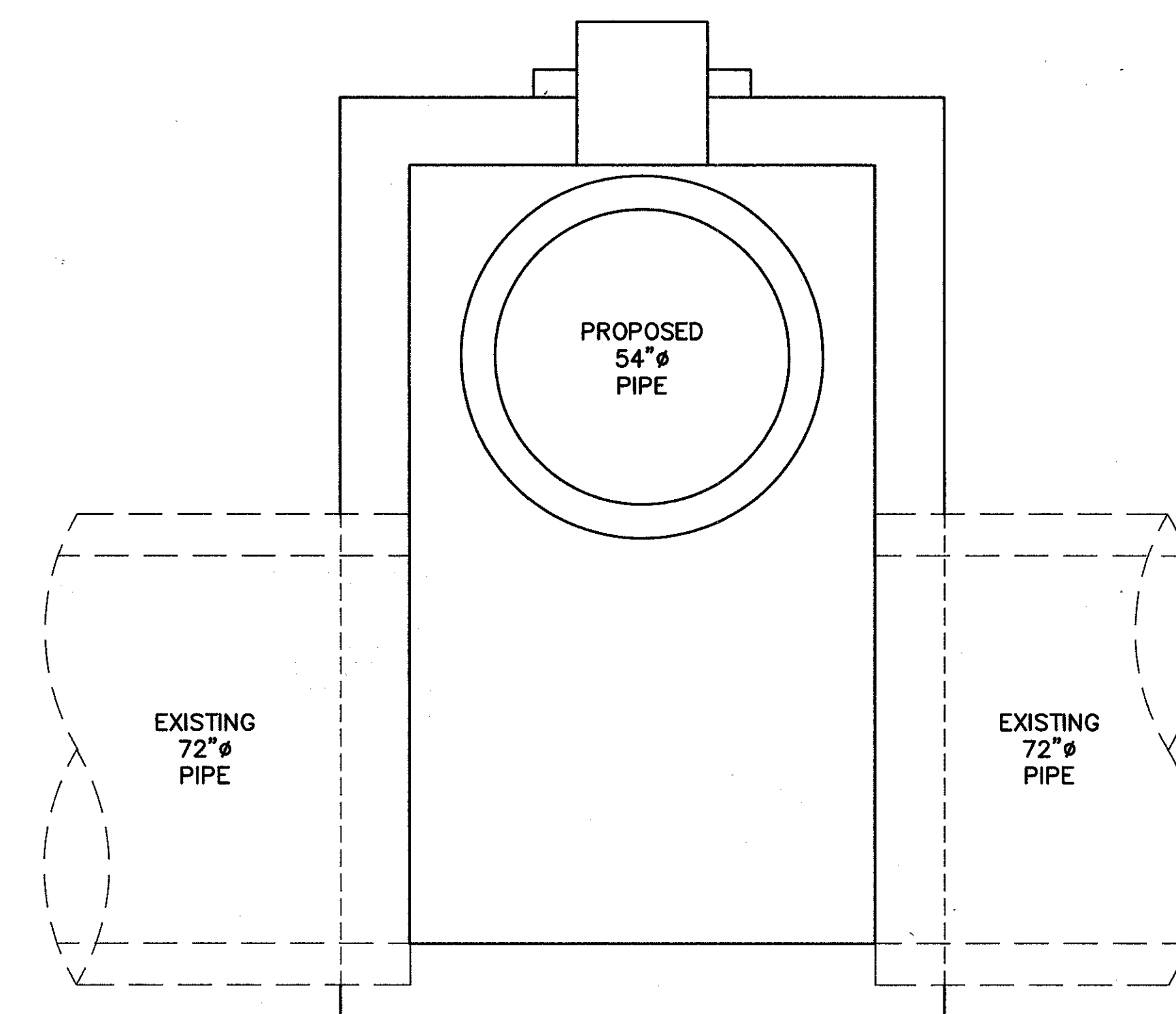
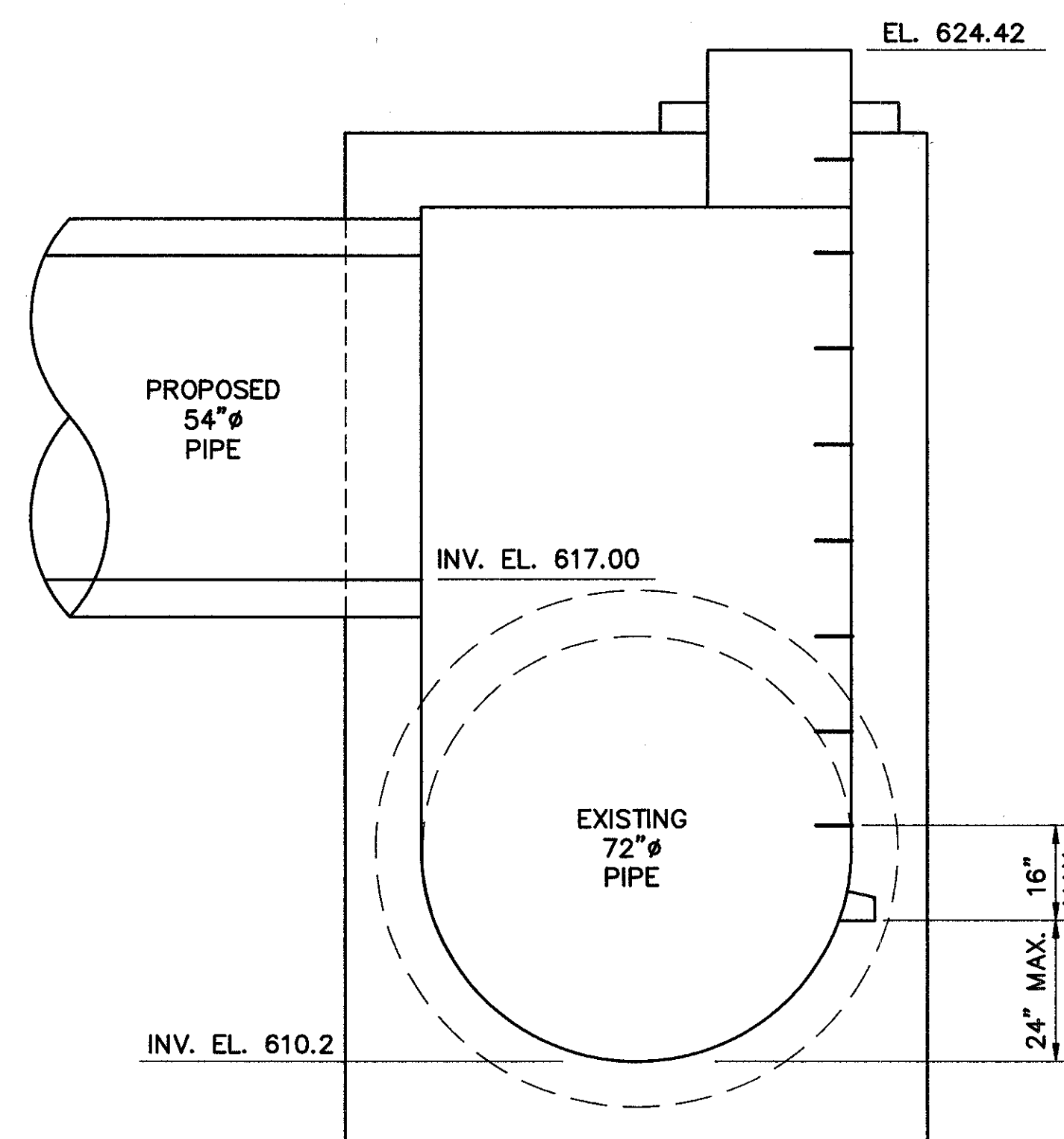


DRAINAGE DETAILS



MANHOLE NO. 5, AS PER PLAN, TYPE I
STA. 62+40.00, 17.00' LT.



NOTE: FOR REINFORCING STEEL, ADDITIONAL DIMENSIONS AND DETAILS SEE STD. CONSTR. DRAWING MH-5.