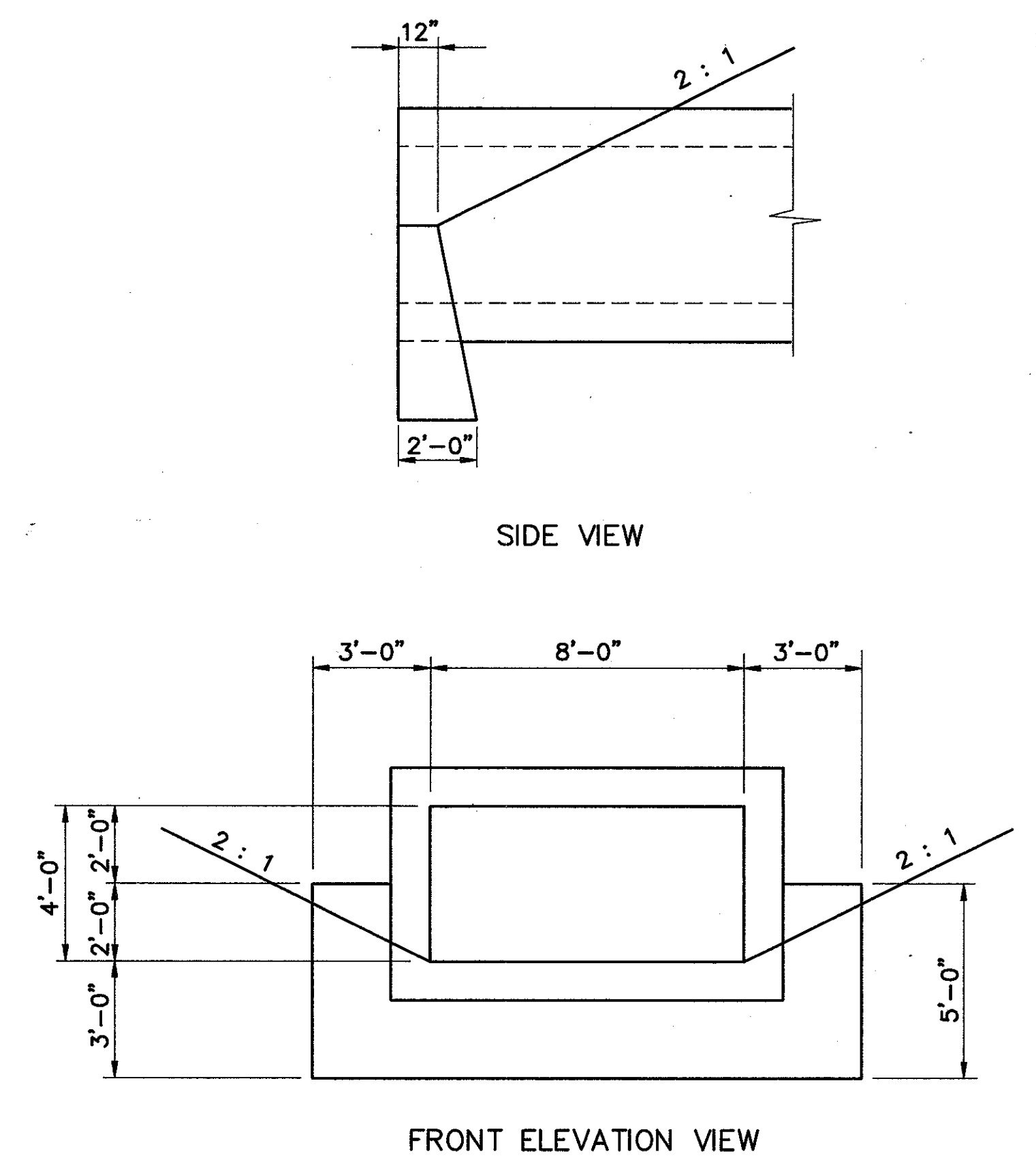


DRAINAGE AREA = 515 ACRES	
Q ₂₅	= 230 C.F.S.
Q ₁₀₀	= 270 C.F.S.
HW ₂₅	= 615.61
HW ₁₀₀	= 616.22

FOR TYPICAL SECTIONS SEE SHEET 6
 FOR CROSS SECTIONS SEE SHEET 205-206
 FOR CATCH BASIN DETAILS SEE SHEET 323
 FOR MAINLINE PLAN & PROFILE SEE SHEET 114
 FOR QUANTITIES SEE SHEET 114

	8+00	9+00	10+00	11+00	12+00	
625			SURVEY S.R. 306			625
620			STA. 127+54.75, 59.30' LT. FL. OUTLET 610.75	STA. 127+01.83, 58.62' RT. FL. INLET 610.80		620
615			ITEM 601 - RIPRAP USING 6" REINFORCED CONCRETE SLAB	EX. 6" GAS EX. 66" STS EX. 15" STS		615
610			ITEM 601 - 30" ROCK CHANNEL PROTECTION TYPE B WITH FILTER	130' - 4'x 8' CONDUIT TYPE A, 706.05 @ 0.04% EX. 12" W STA. 127+30.00, 6'00' LT. FL. 43x68 610.80 EX. 10" SAS STA. 127+10.00, 34.00' RT. FL. 34x53 610.97		610
605				CB NO. 3A STA. 127+50.00, 26.00 LT. GRATE 617.81 FL. 12" S 614.31	CB NO. 3A STA. 127+30.00, 26.00 RT. GRATE 617.71 FL. 12" S 614.21	605
			4'x8'	8'-12" CONDUIT TYPE B		610
			S.R. 306 STA. 127+50	S.R. 306 STA. 127+30		610



HW-4B HEADWALL, AS PER PLAN