

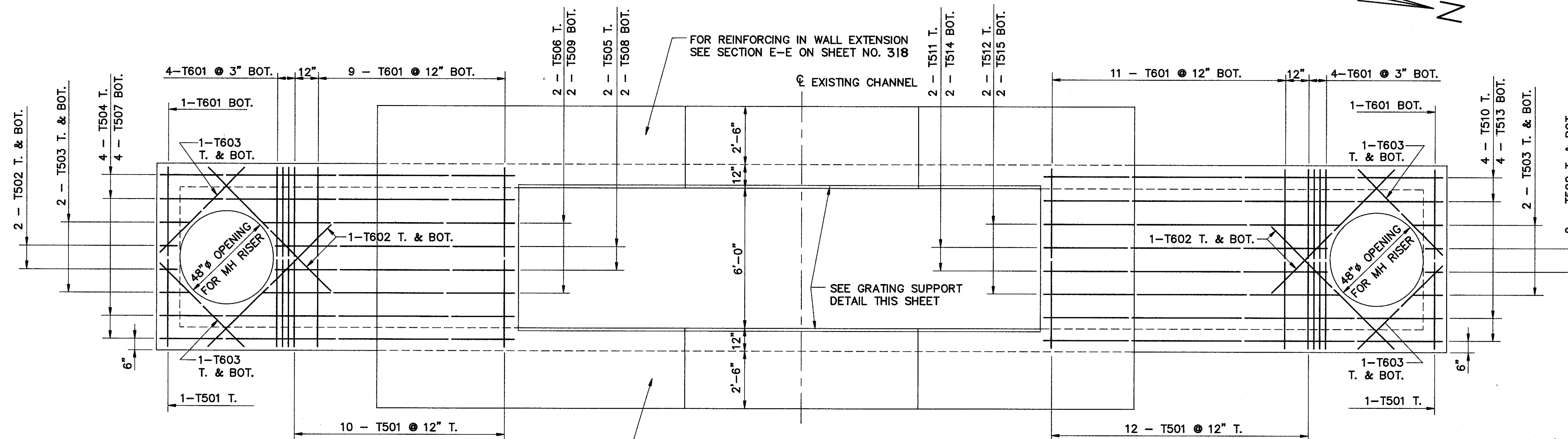
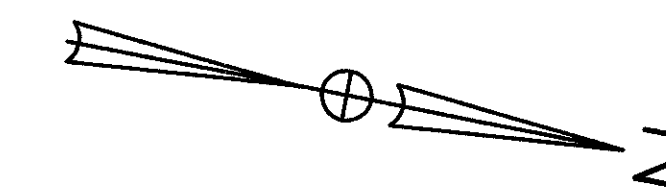
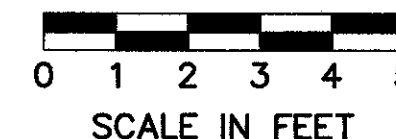
JUNCTION CHAMBER DETAILS

CALC. BY: RLB
DATE: 4/90
CHKD. BY: RC
DATE: 4/90

LAK - 306 - 7.12

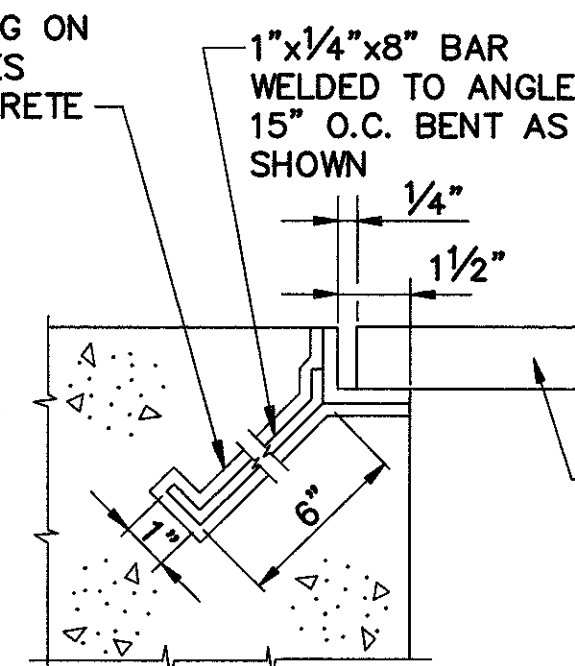
OHIO
FHWA 5
REGION

319
452



TOP SLAB PLAN

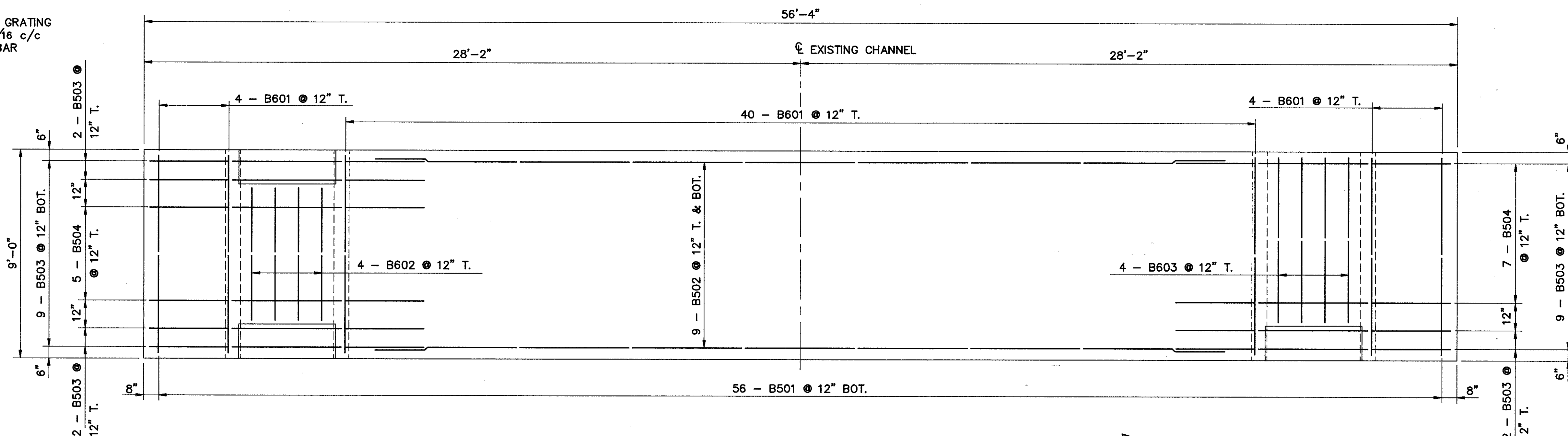
1/8" BITUMINOUS COATING ON ALL ALUMINUM SURFACES IN CONTACT WITH CONCRETE



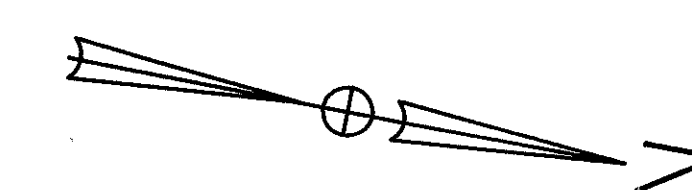
GRATING SUPPORTS
N.T.S.

NOTE: GRATING IS TO BE BOLTED IN PLACE WITH STAINLESS STEEL FASTENERS, AS PER GRATING MANUFACTURER'S DETAIL

FOR REINFORCING IN WALL EXTENSION SEE SECTION E-E ON SHEET NO. 318



PLAN VIEW BOTTOM SLAB



NOTATION: T.-TOP, BOT.-BOTTOM