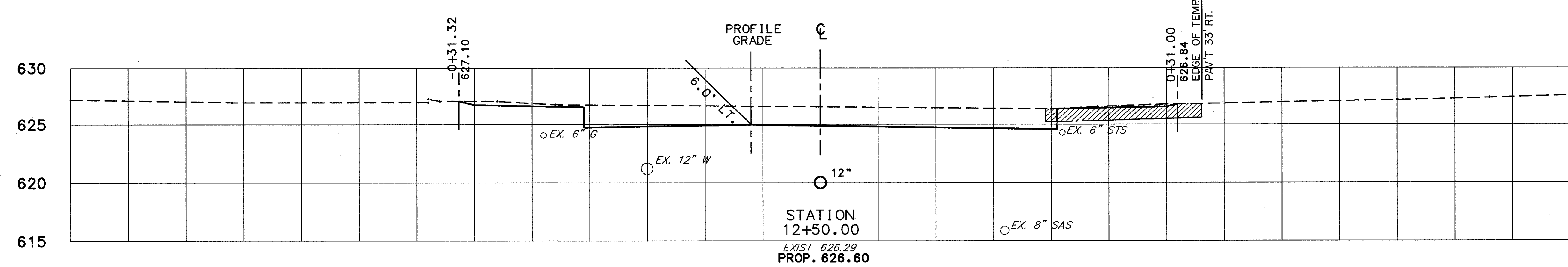
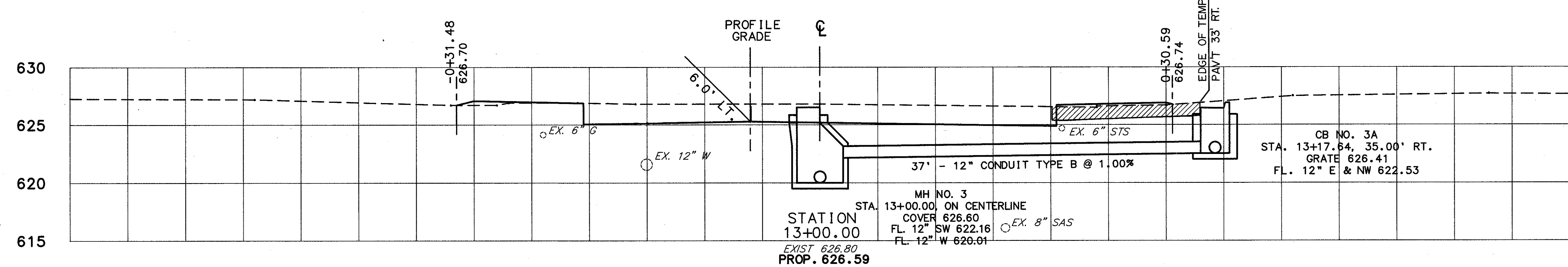
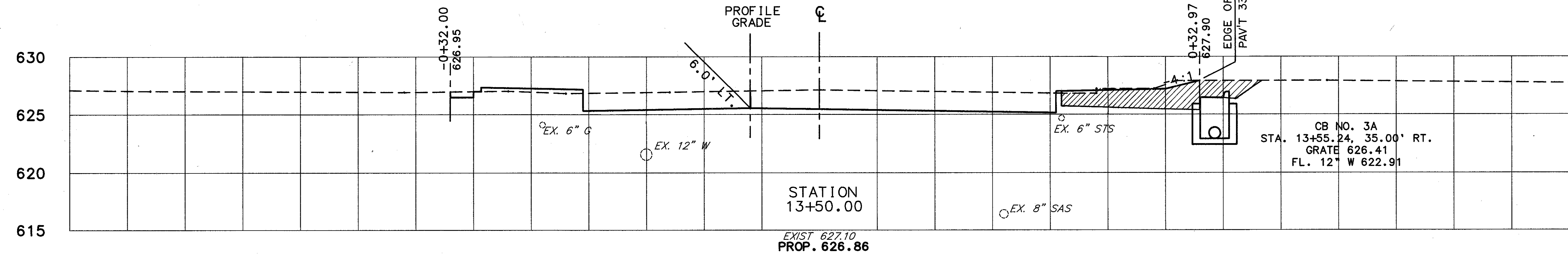
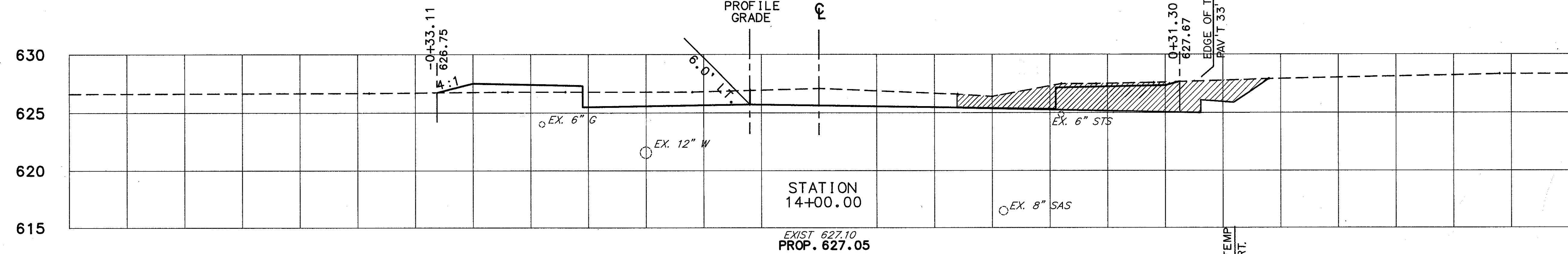


CALC. BY MLM. DATE 3/90  
 CHKD. BY DJW. DATE 4/90

LAK - 306 - 7.12

OHIO  
 FHWA REGION 5  
 259  
 452



END	AREA		VOLUME	
	CUT	FILL	CUT	FILL
630	5.2	0.8		
625				
620				
615			105.8	10.0
630				
625	7.5	0.4		
620				
615			115.8	6.7
630				
625	6.4	0.4		
620				
615			123.3	3.3
630				
625	8.4	0.0		
620				
615				