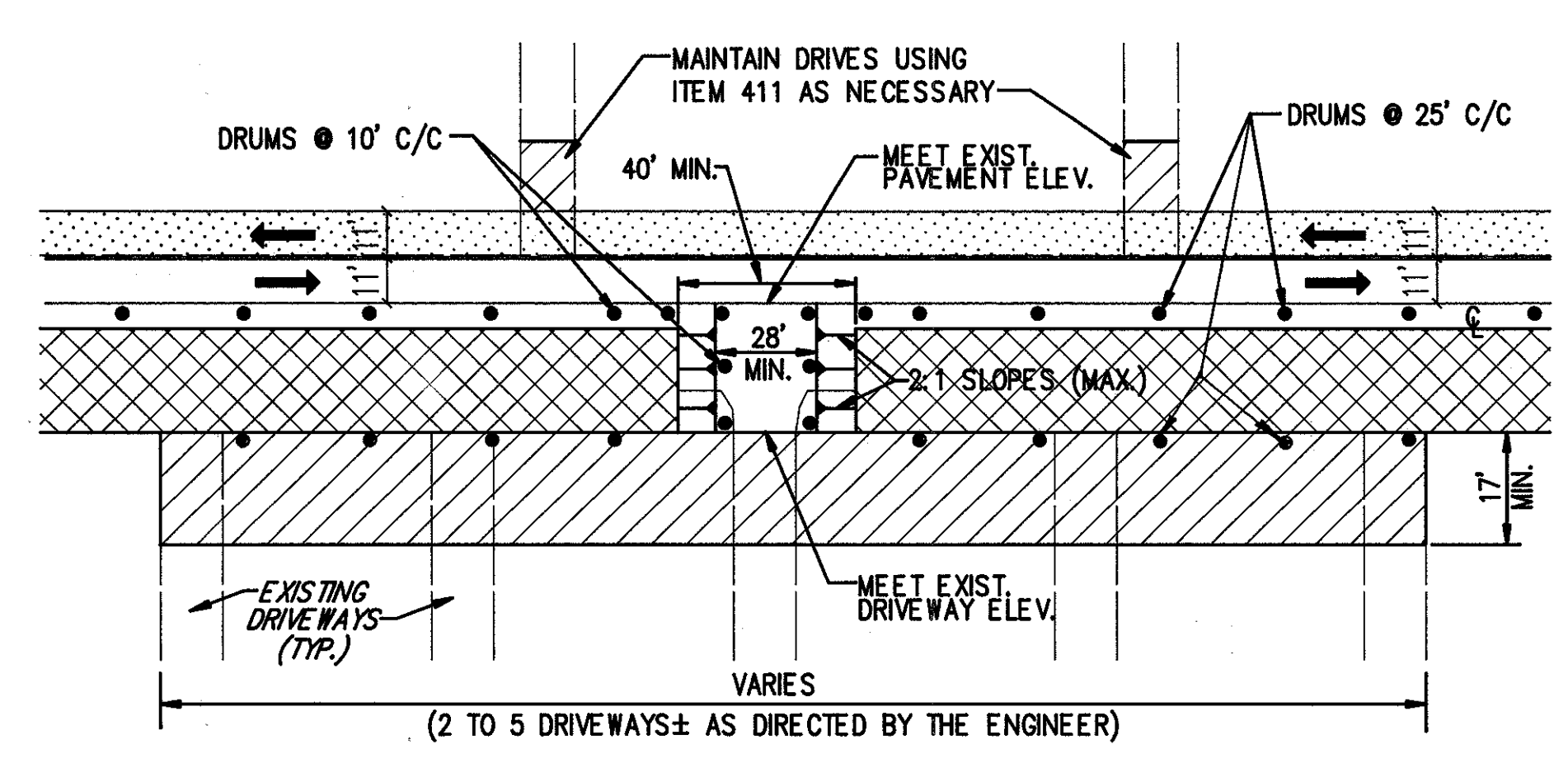
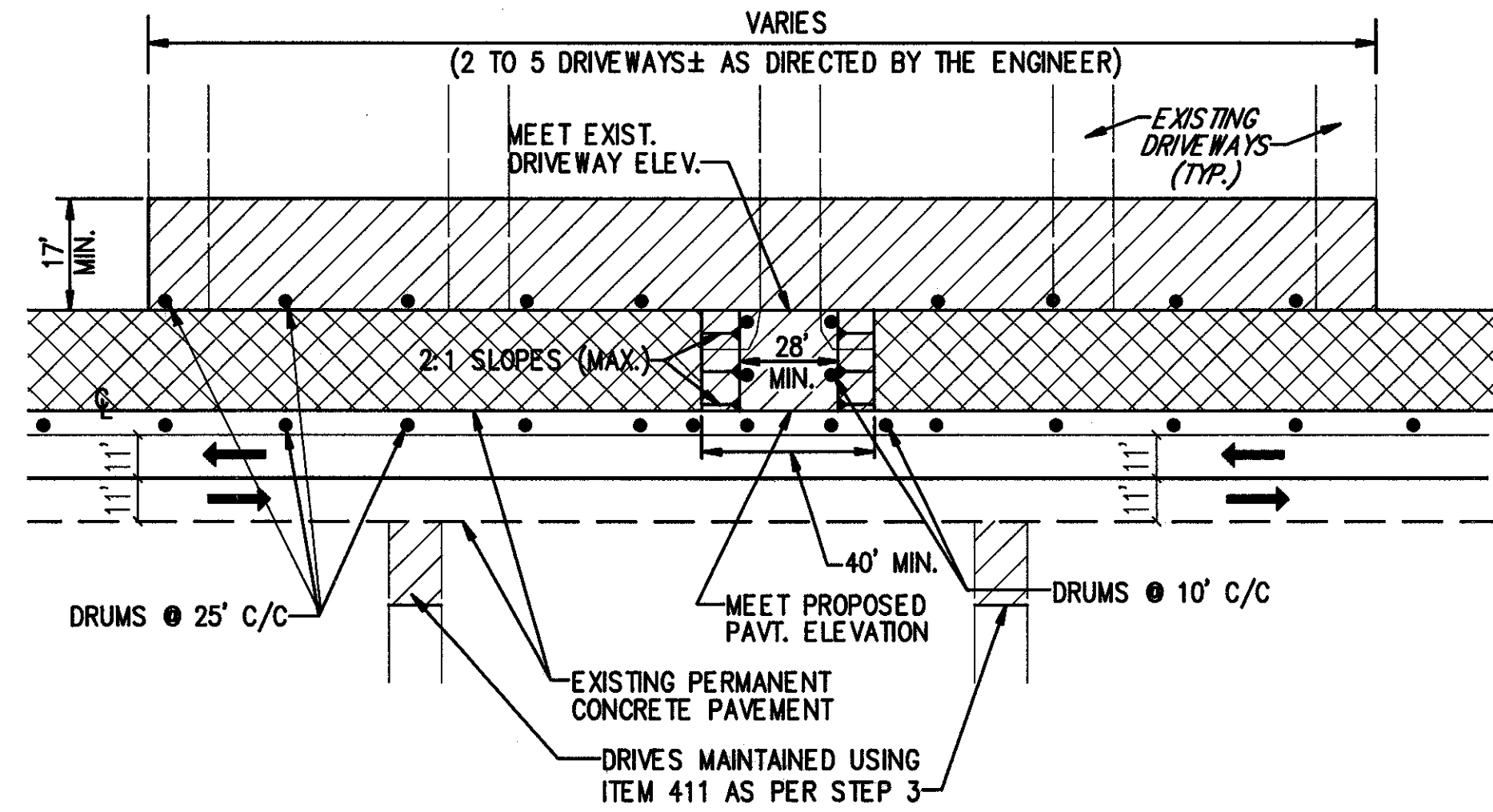


MAINTENANCE OF TRAFFIC DRIVEWAY PHASE CONSTRUCTION DETAILS

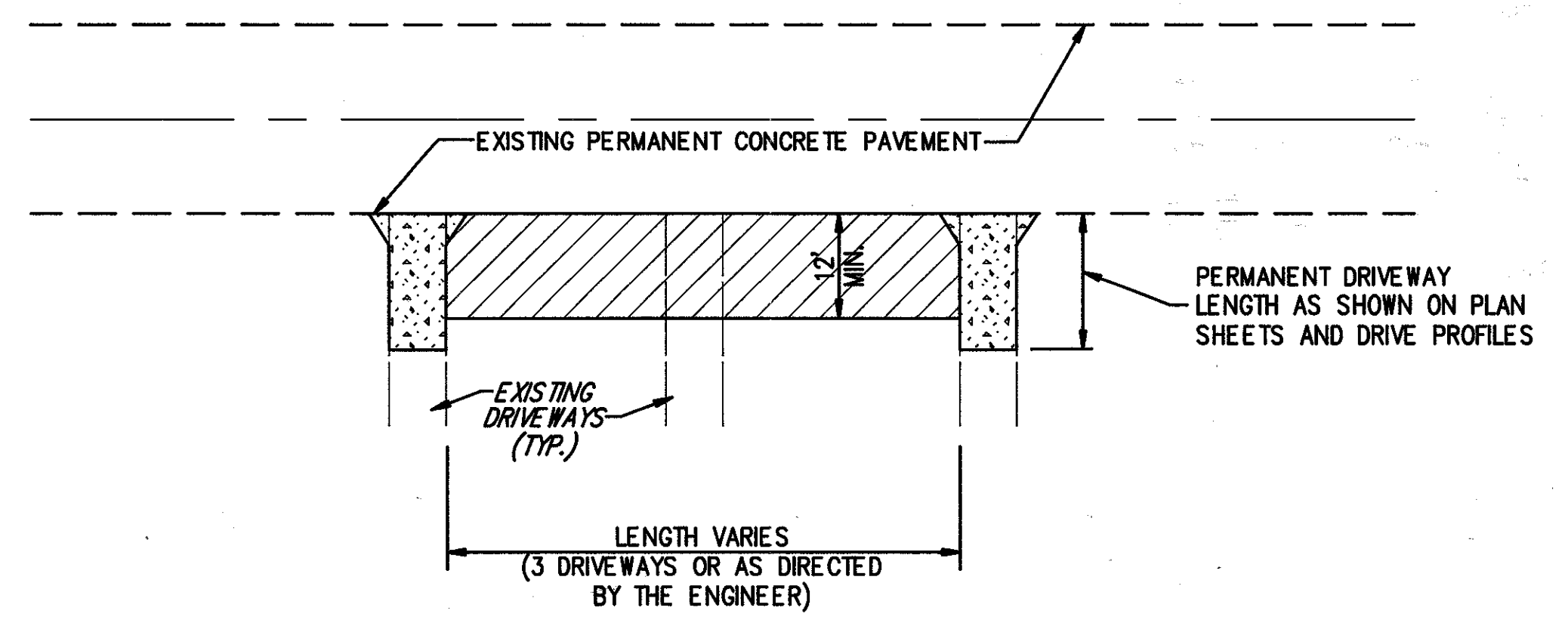
(NO SCALE)



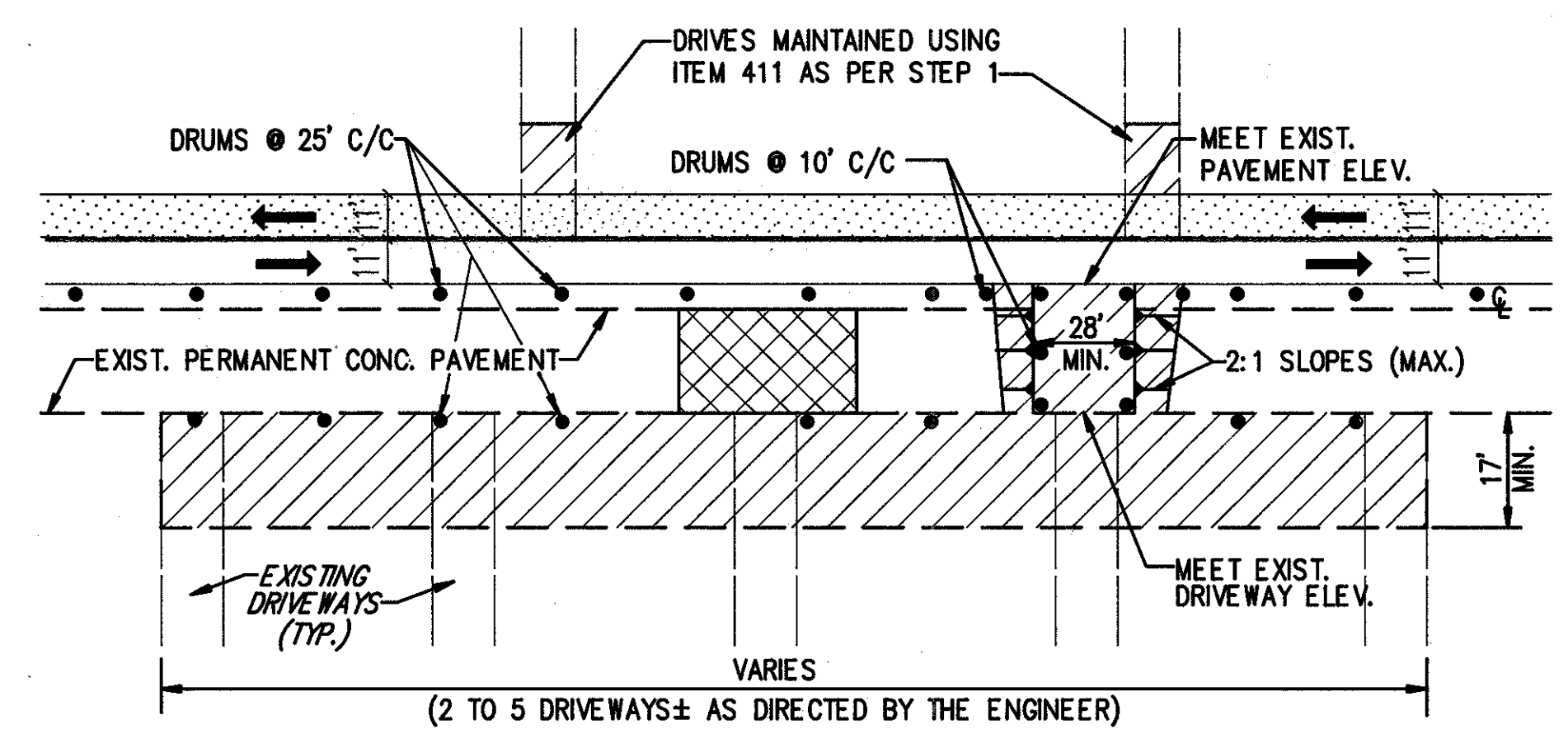
STEP 1



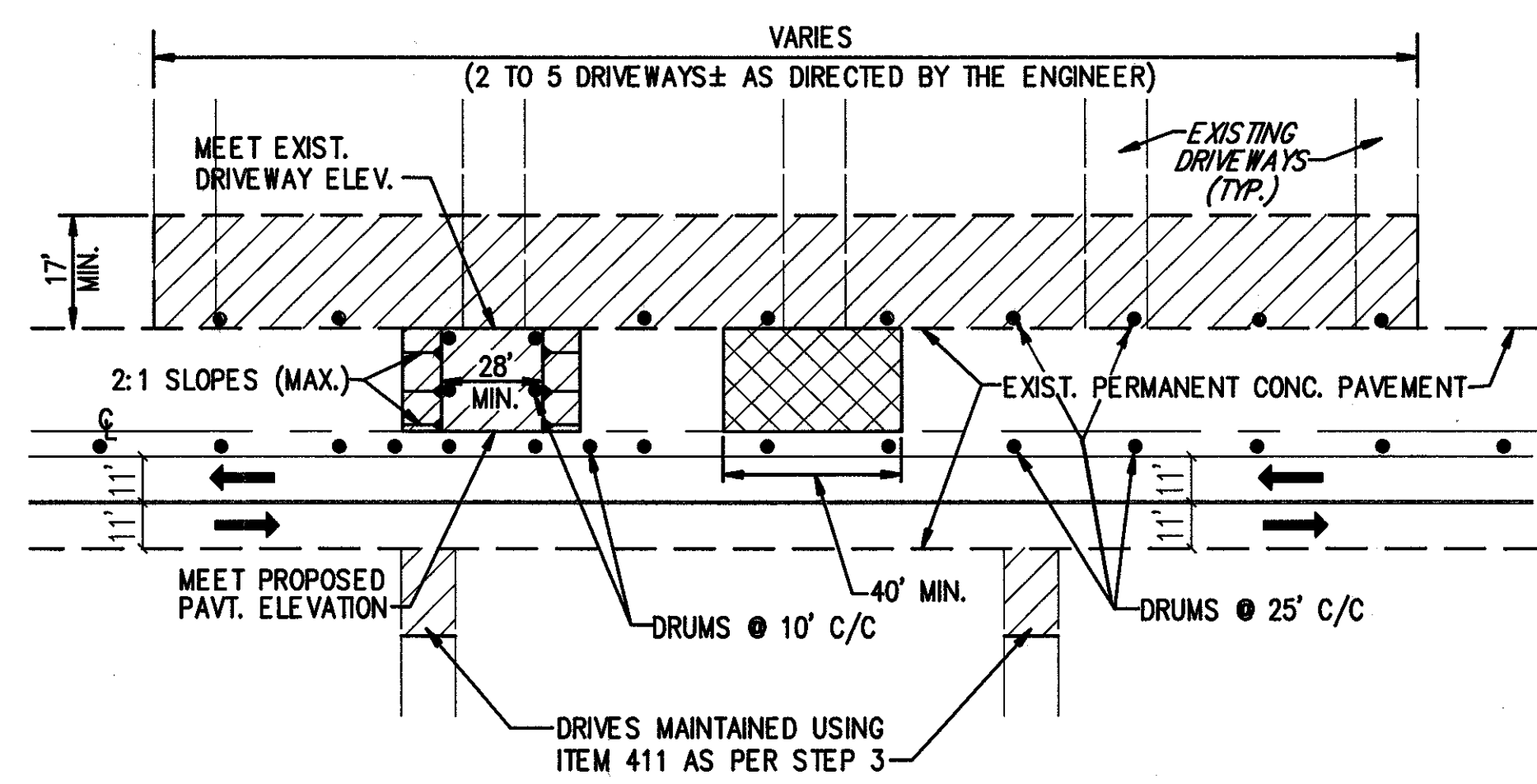
STEP 4



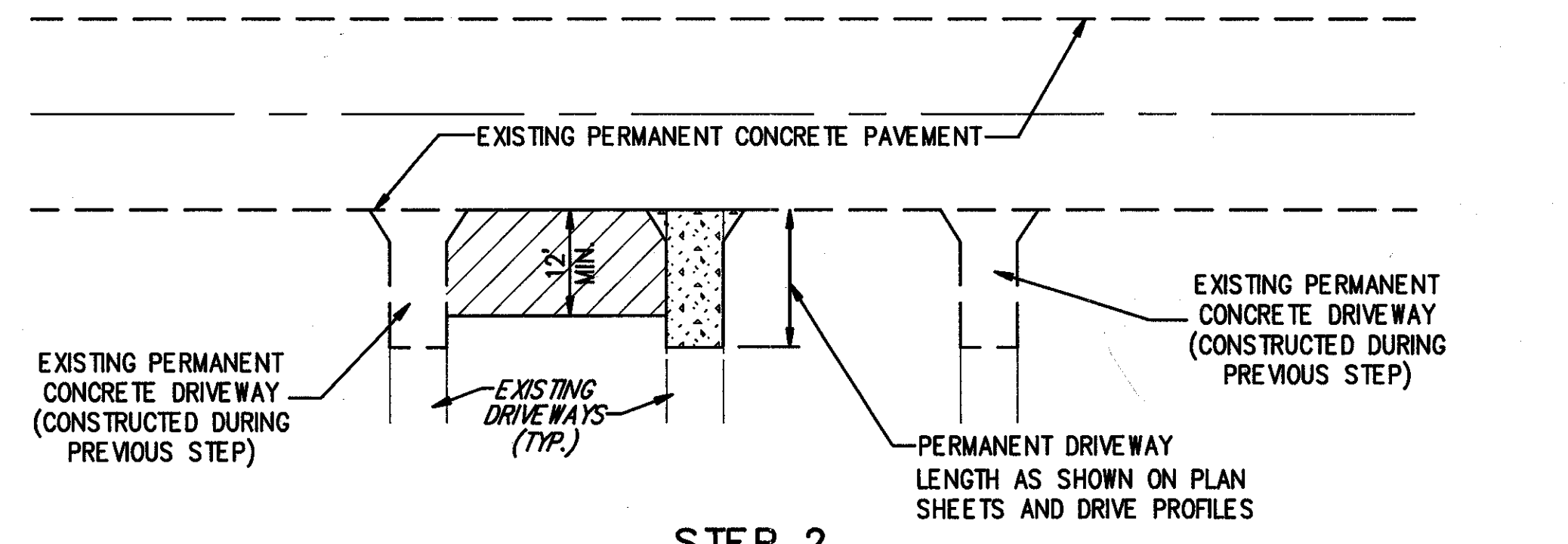
STEP 1



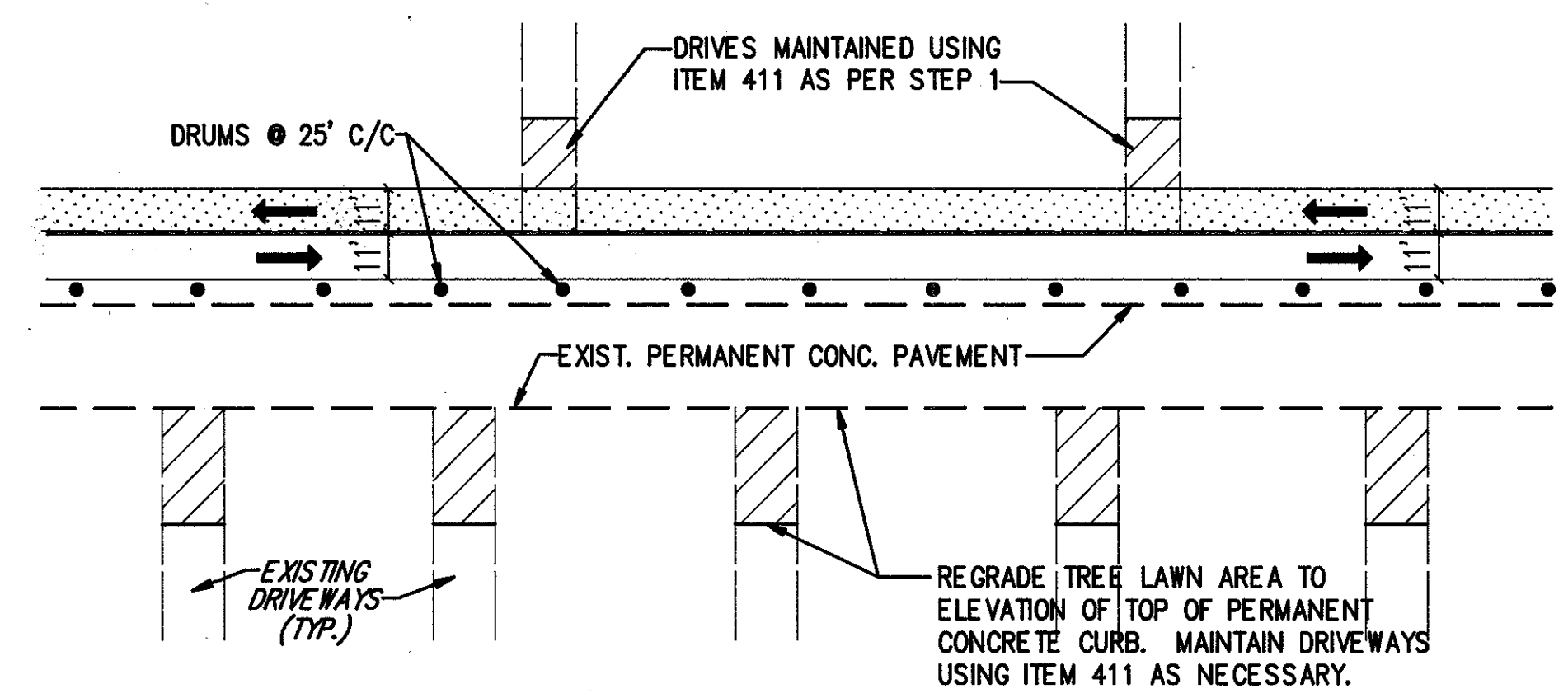
STEP 2



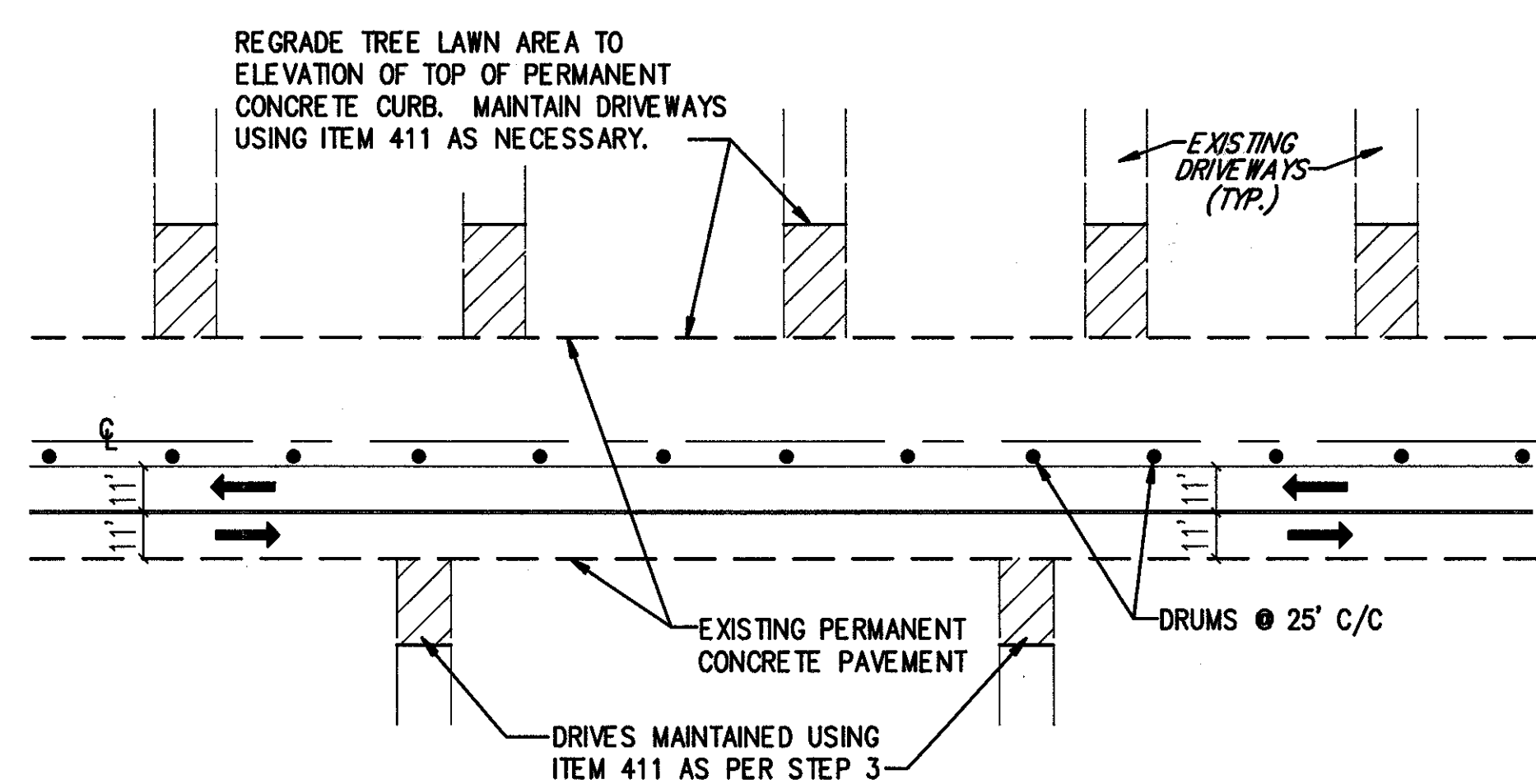
STEP 5



STEP 2



STEP 3



STEP 6

ACCESS TO ABUTTING PROPERTIES DURING DRIVEWAY PAVING OPERATIONS

- TEMPORARY PAVEMENT
- ITEM 411 - STABILIZED CRUSHED AGGREGATE
- PERMANENT CONCRETE PAVEMENT (CONSTRUCTED DURING THIS STEP)
- PERMANENT CONCRETE DRIVEWAY (CONSTRUCTED DURING THIS STEP)

ACCESS TO ABUTTING PROPERTIES DURING ROADWAY PAVING OPERATIONS