

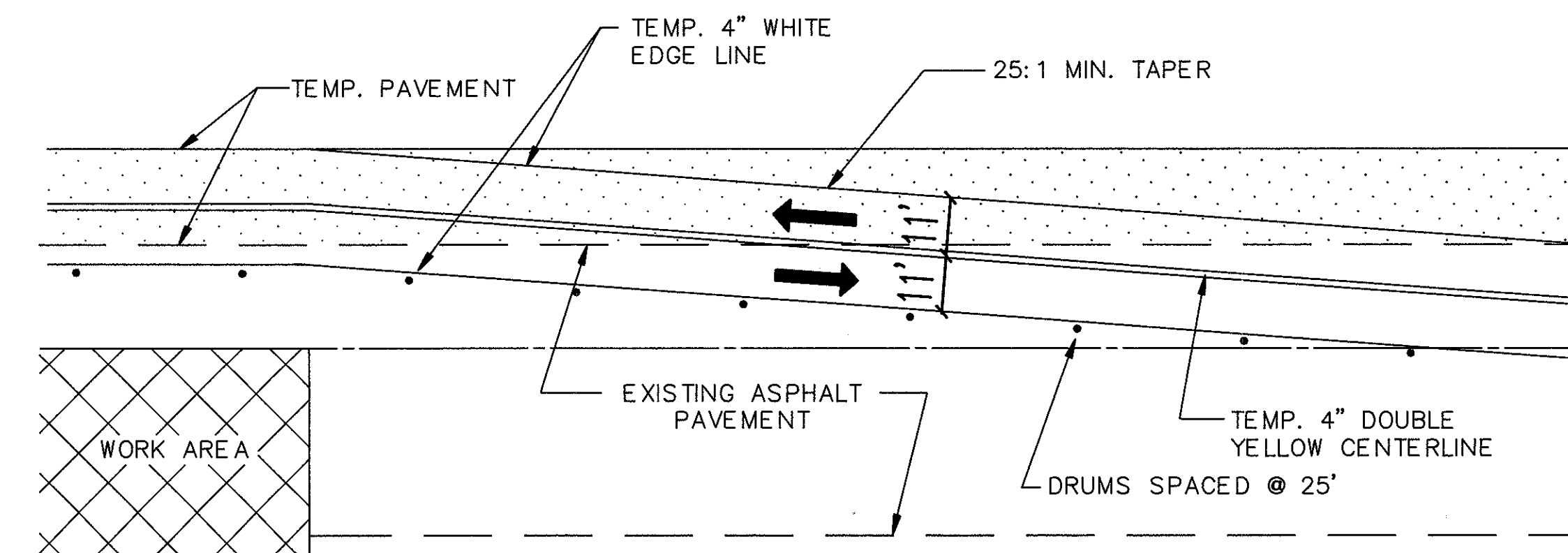
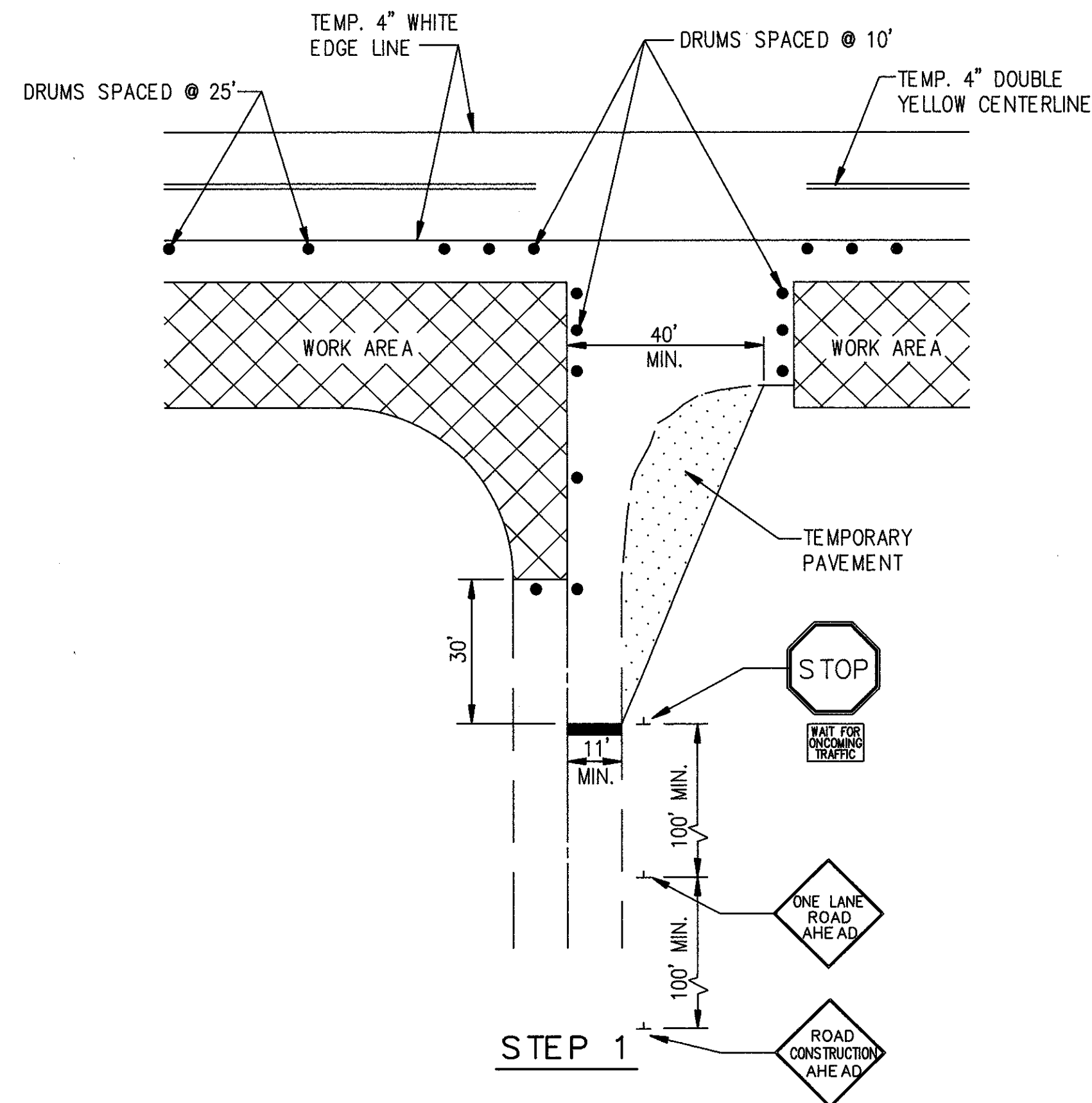
MAINTENANCE OF TRAFFIC MISCELLANEOUS DETAILS

CALC. BY _____
DATE _____
CHKD. BY _____
DATE _____

LAK - 306 - 7.12

OHIO
FHWA
REGION 5

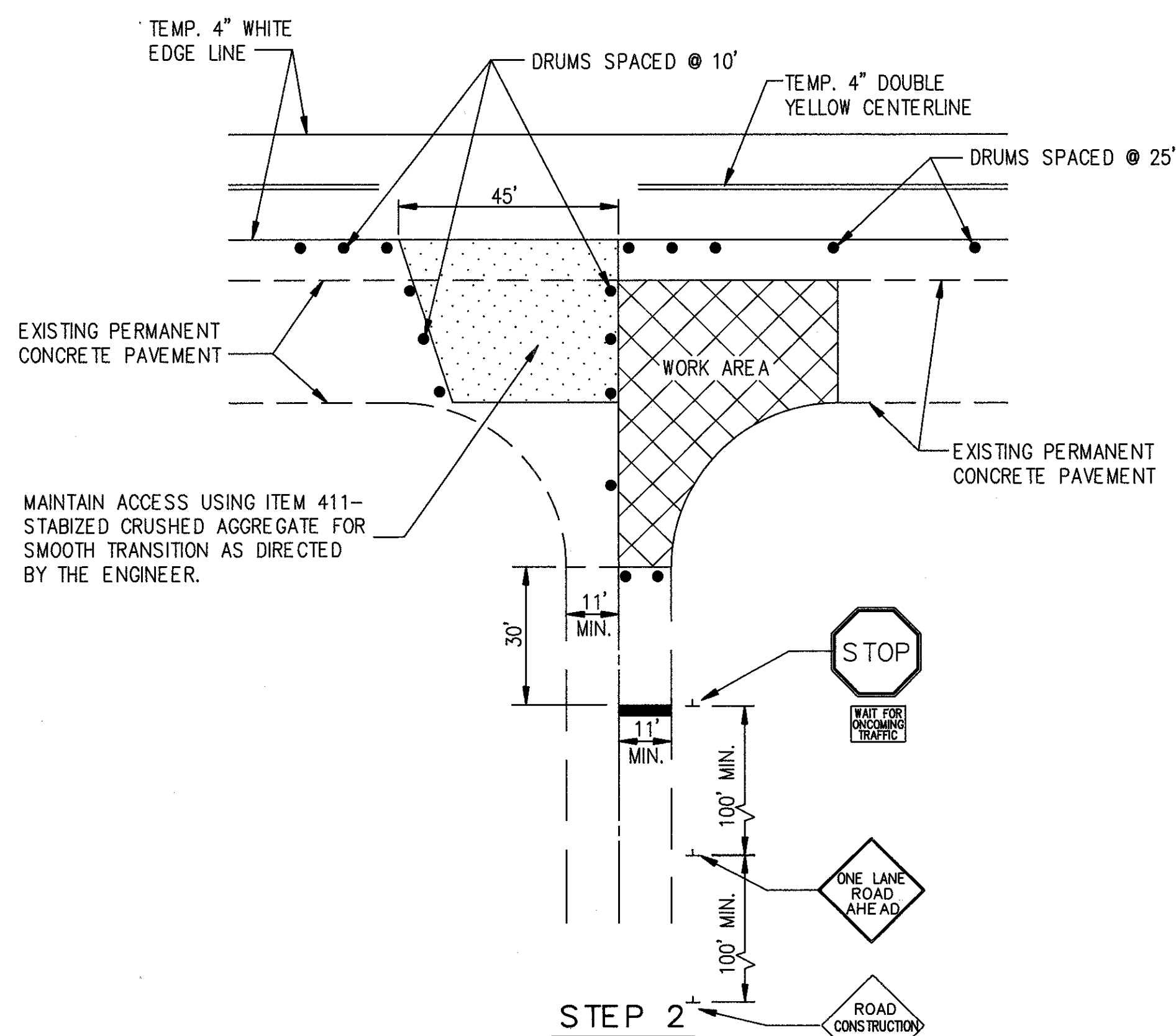
39
452



** FOR TAPER LOCATIONS SEE PHASE CONSTRUCTION DETAILS. TAPER LENGTH VARIES AS SHOWN ON THE PHASE CONSTRUCTION DETAILS OR AS DIRECTED BY THE ENGINEER.

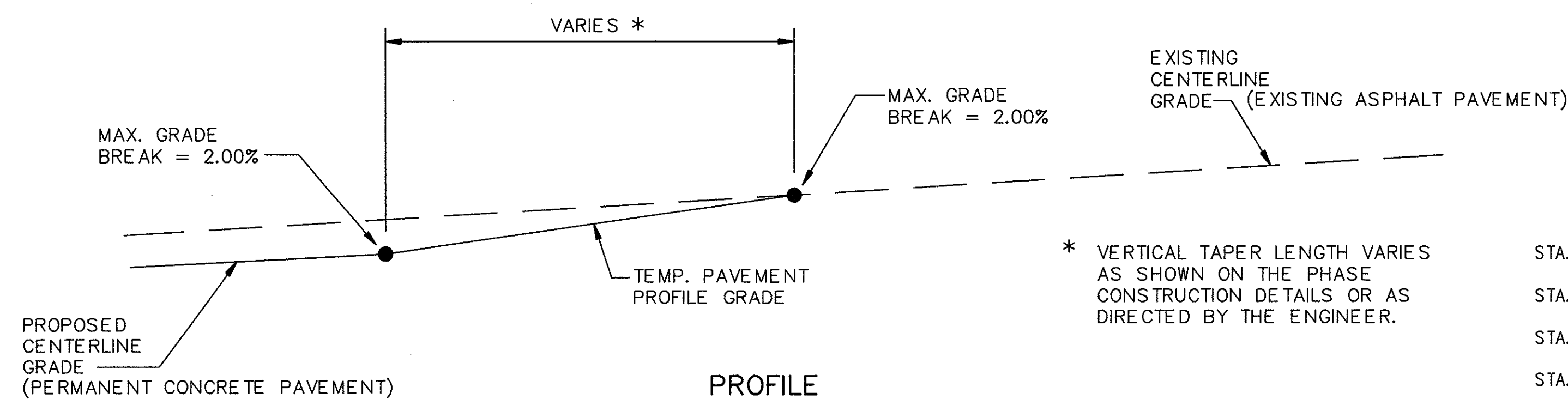
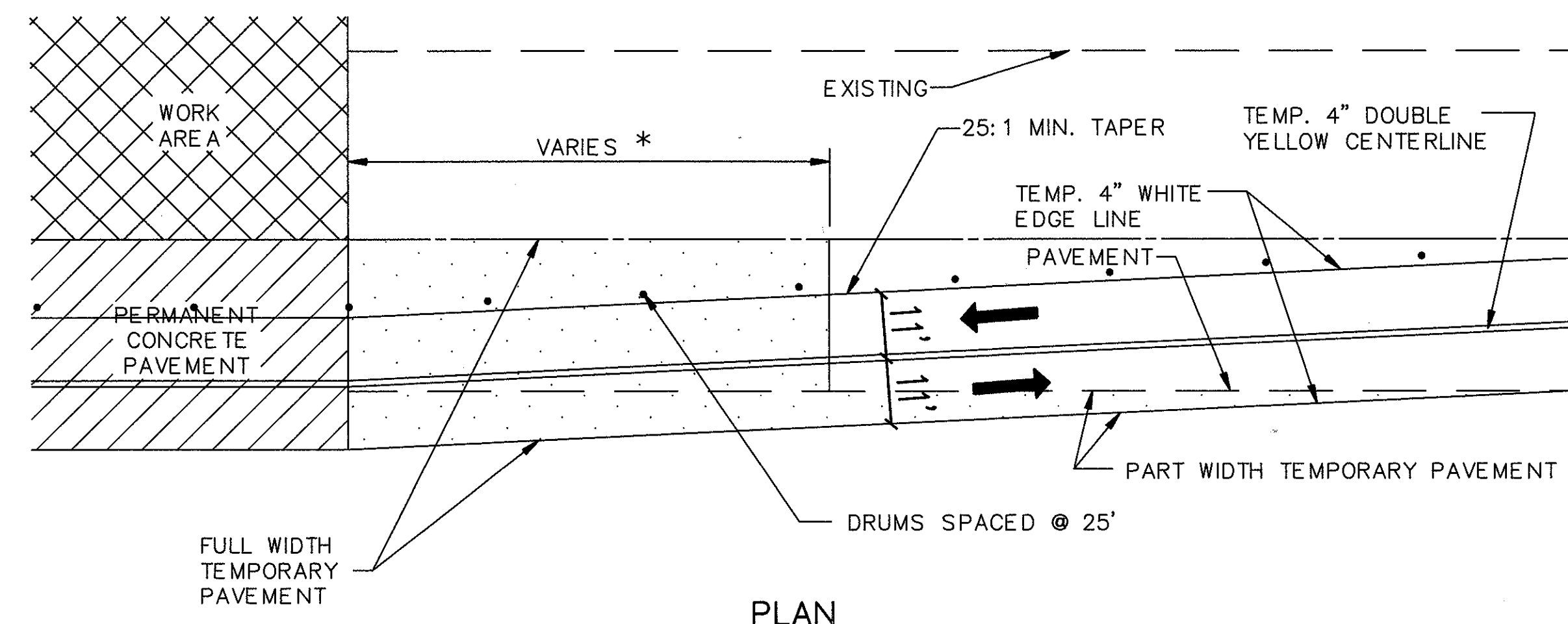
TYPICAL TAPER DETAIL

EXISTING PAVEMENT TO EXISTING & TEMPORARY PAVEMENT**
(NO SCALE)



REDUCTION TO ONE-WAY SIDE STREET ACCESS

(ADKINS ROAD, OHIO STREET, BELLFLOWER ROAD (EAST),
BUTTERNUT LANE, JEREMY AVENUE & CLEARMONT DRIVE)
(NO SCALE)



VERTICAL TAPER DETAIL

PERMANENT CONCRETE PAVEMENT TO EXISTING & TEMPORARY PAVEMENT
(NO SCALE)

* VERTICAL TAPER LENGTH VARIES AS SHOWN ON THE PHASE CONSTRUCTION DETAILS OR AS DIRECTED BY THE ENGINEER.

VERTICAL TAPER LOCATIONS

LOCATIONS	SECTION & PHASE
STA. 62+50 TO STA. 64+60, RT.	SECTION 1 PHASE B
STA. 89+00 TO STA. 89+60, LT.	SECTION 2 PHASE B
STA. 99+00 TO STA. 99+80, RT.	SECTION 2 PHASE C
STA. 126+70 TO STA. 127+45, LT.	SECTION 3 PHASE B
STA. 126+70 TO STA. 127+45, RT.	SECTION 3 PHASE C
STA. 136+25 TO STA. 137+00, LT.	SECTION 3 PHASE B
STA. 9+50 TO STA. 10+00, RT.	SECTION 3 PHASE C
STA. 10+32 TO STA. 10+82, RT.	SECTION 3 PHASE C

LAKESHORE BLVD.