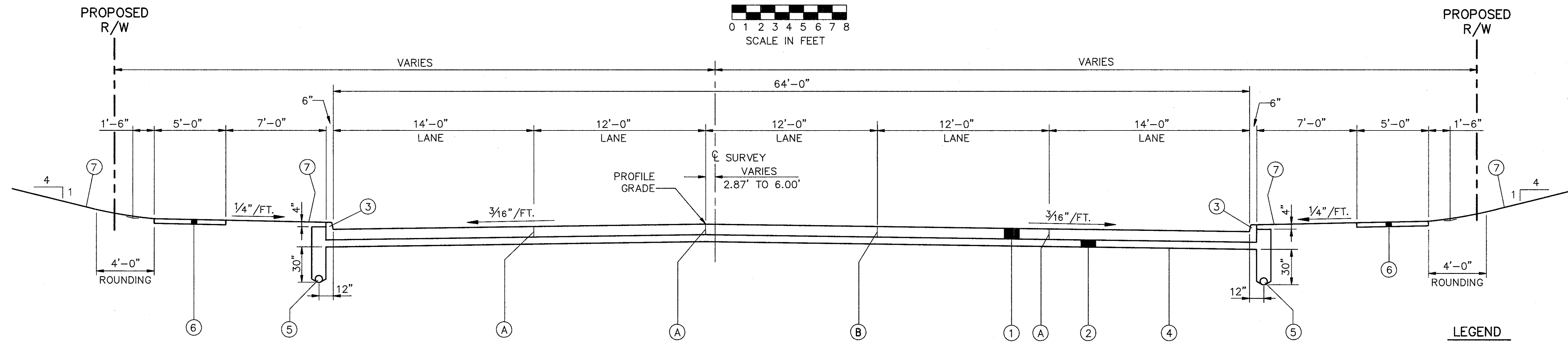
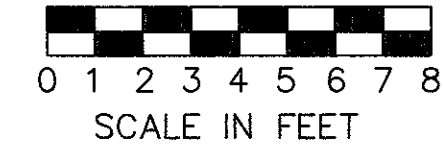


# TYPICAL SECTIONS

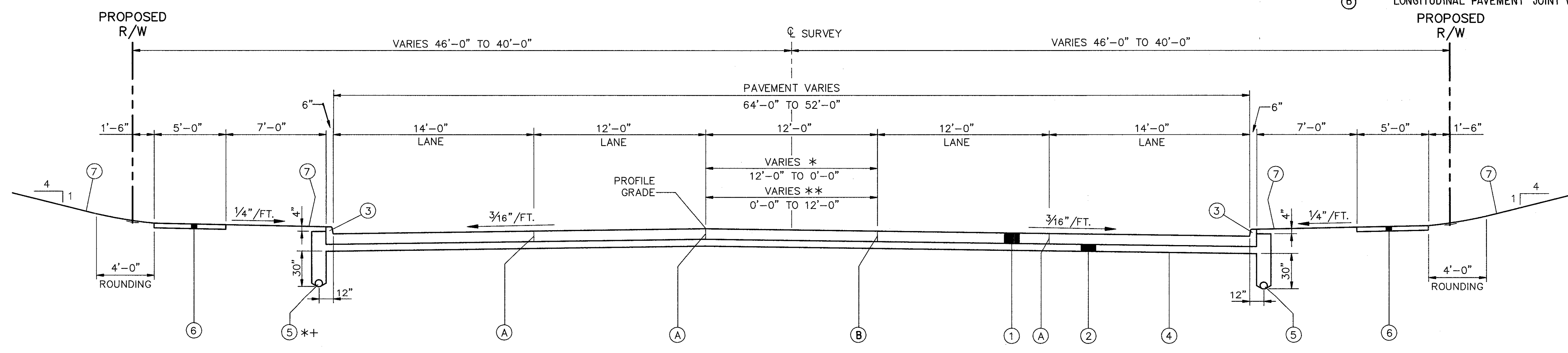
## TYPE 451



### TRANSITION SECTION

STA. 26+08.04 TO STA. 30+06.64 = 398.60 LIN. FT.

- LEGEND**
- ① ITEM 451 - 10" REINFORCED CONCRETE PAVEMENT, AS PER PLAN
  - ② ITEM 310 - 6" SUBBASE, TYPE II, AS PER PLAN
  - ③ ITEM 609 - CURB, TYPE 2-A
  - ④ ITEM 203 - SUBGRADE COMPACTION
  - ⑤ ITEM 605 - 6" SHALLOW PIPE UNDERDRAIN WITH FABRIC WRAP
  - ⑥ ITEM 608 - 4" CONCRETE WALK
  - ⑦ ITEM 660 - SODDING
  - A LONGITUDINAL PAVEMENT JOINT
  - B LONGITUDINAL PAVEMENT JOINT WITHOUT TIE BARS



### 5 LANE SECTION

STA. 30+06.64 TO STA. 37+76.82 = 770.18 LIN. FT.  
 \* STA. 37+76.82 TO STA. 38+56.82 = 80.00 LIN. FT.  
 \*\* STA. 63+30.06 TO STA. 64+10.06 = 80.00 LIN. FT.  
 STA. 64+10.06 TO STA. 68+76.90 = 466.84 LIN. FT.  
 \* STA. 68+76.90 TO STA. 69+56.90 = 80.00 LIN. FT.  
 1477.02 LIN. FT.

\*\* DELETE ITEM 605-6" SHALLOW PIPE UNDERDRAIN WITH FABRIC WRAP  
 STA. 63+30.06 LT. TO STA. 69+56.90 LT. = 626.84 LIN. FT.

FOR PAVEMENT QUANTITIES SEE SHEET 45-47  
 FOR SIDEWALK QUANTITIES SEE SHEET 50  
 FOR CURB QUANTITIES SEE SHEET 48-49  
 FOR SODDING QUANTITIES SEE SHEET 81