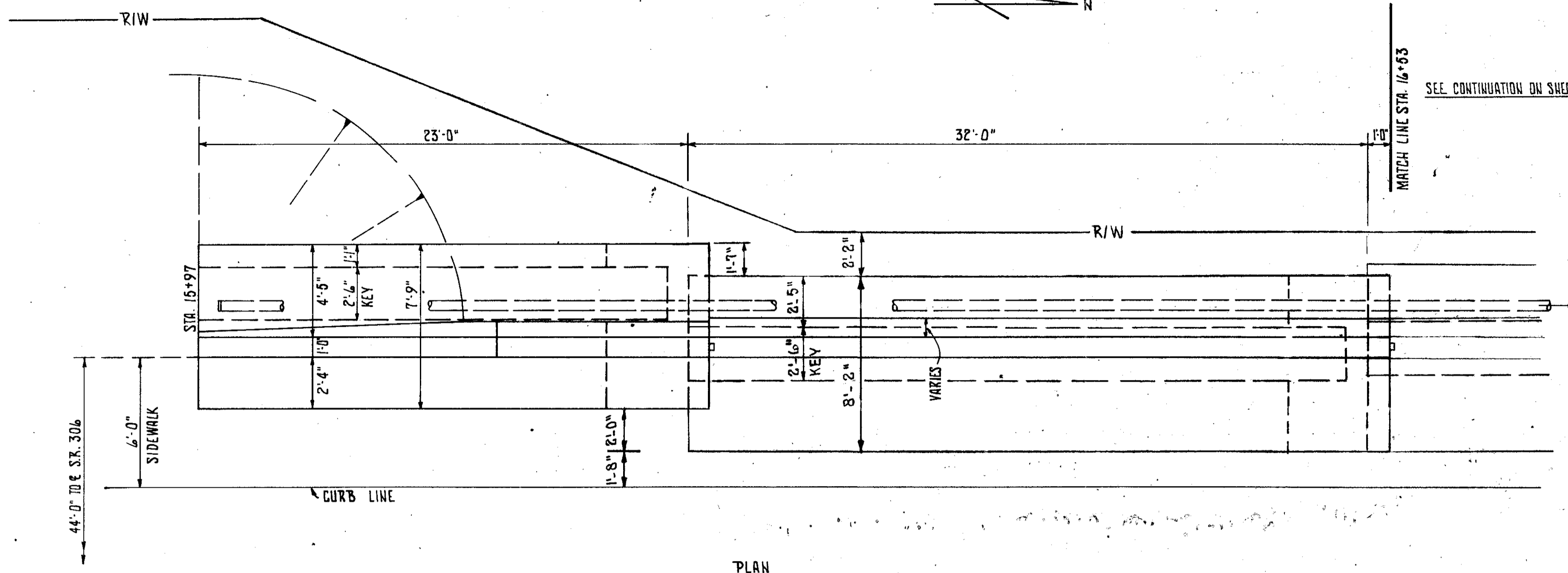


MICROFILMED  
APR 24 1984

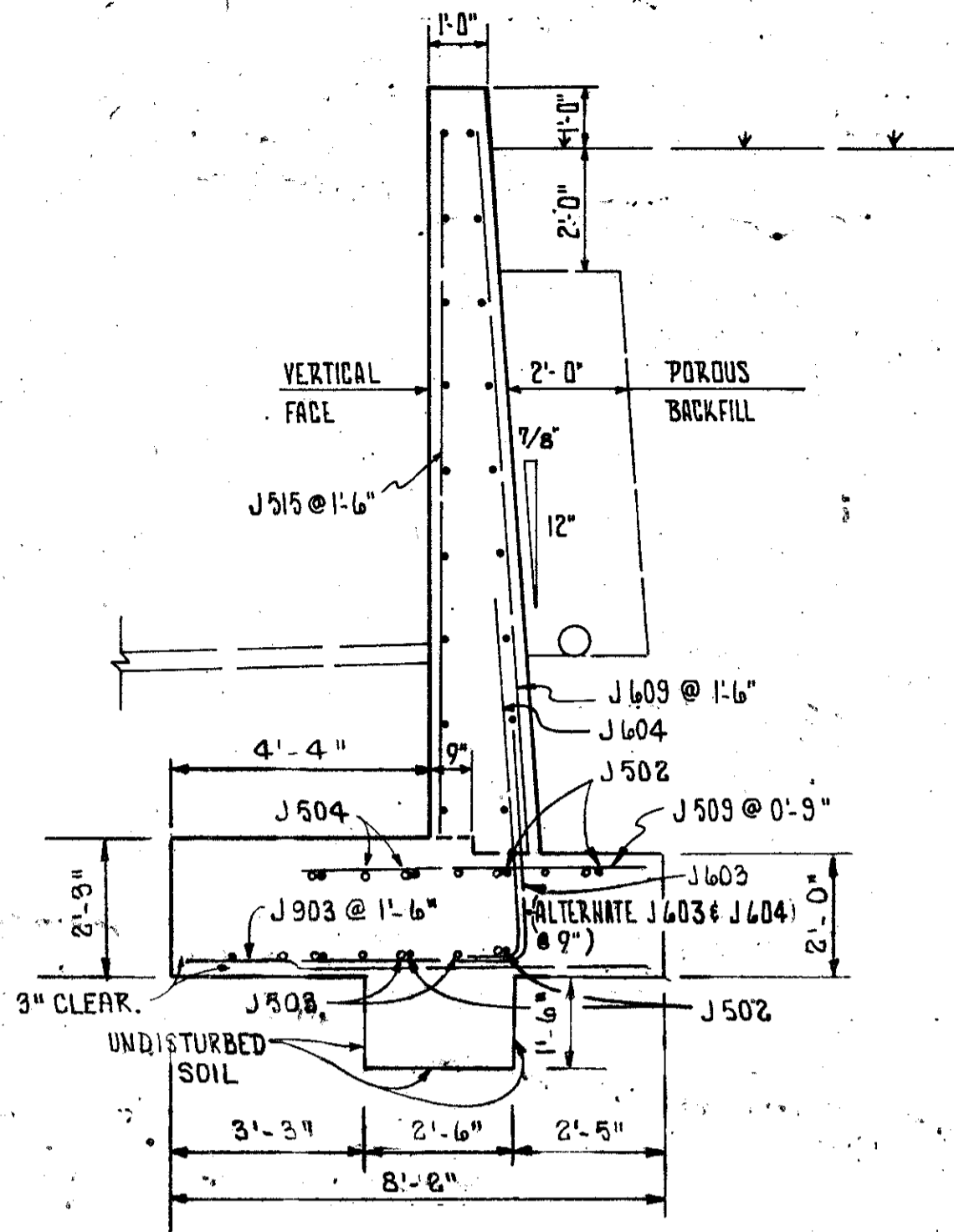
FHWA REGION	STATE	PROJECT
5	OHIO	

85A  
101

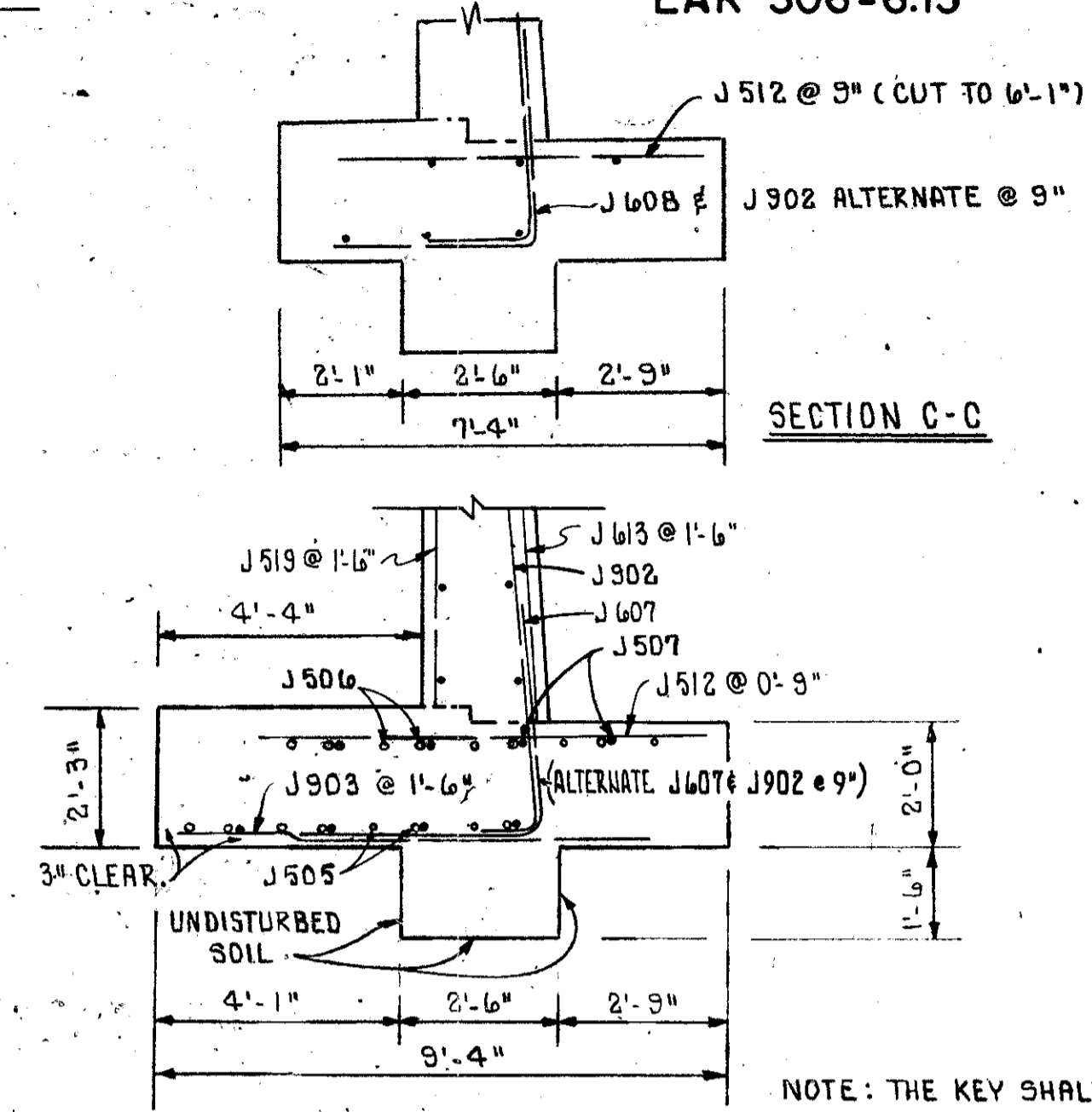
LAKE COUNTY  
LAK 306-6.15



PLAN

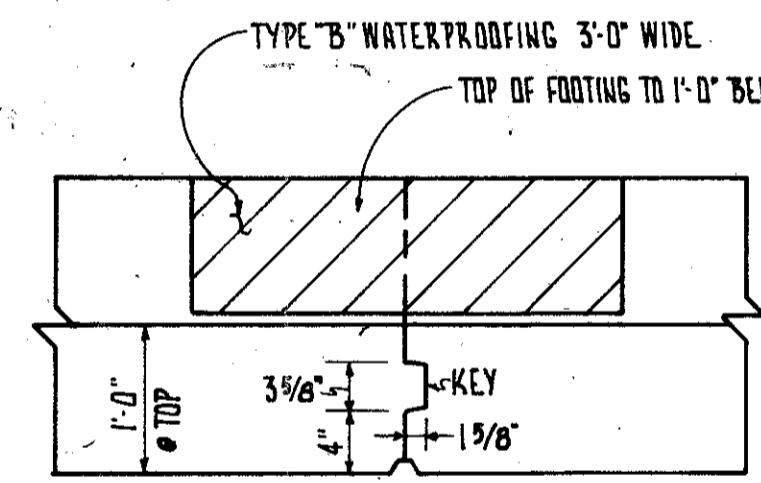


SECTION A-A

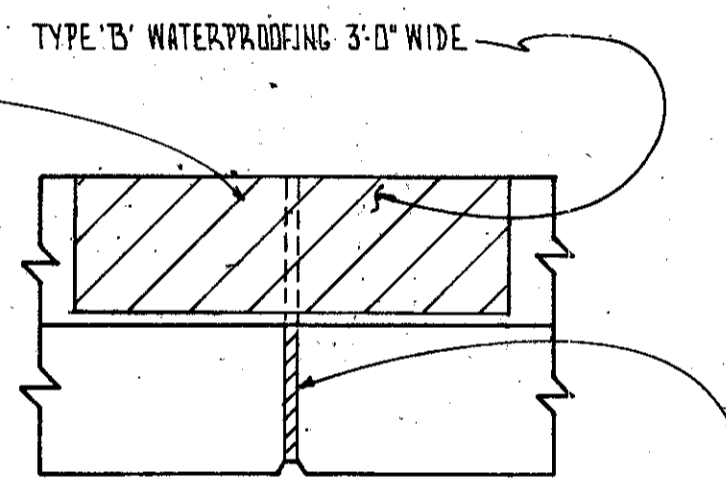


SECTION B-B  
(SEE SHEET 26 OF 28)

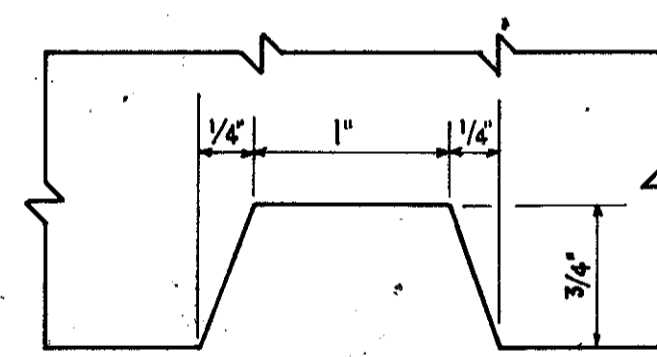
NOTE: THE KEY SHALL BE PLACED IN A CAREFULLY MADE TRENCH AGAINST UNDISTURBED EARTH.



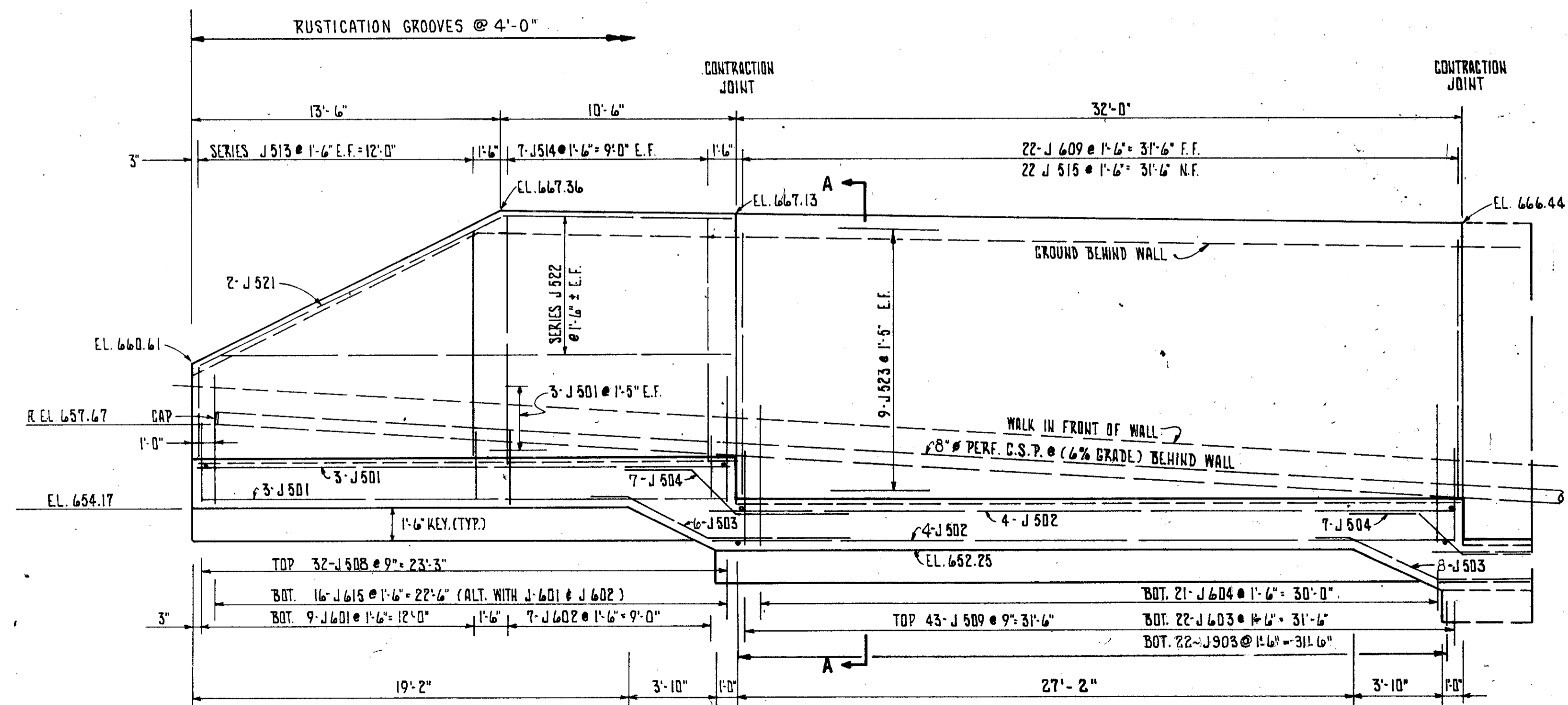
CONTRACTION JOINT



EXPANSION JOINT



VERTICAL RUSTICATION GROOVE @ 4'-0"



ELEVATION

RETAINING WALL STATION 15+97 TO STATION 17+53			
ESTIMATED QUANTITIES			
ITEM	TOTAL	UNIT	DESCRIPTION
503	650	C.Y.	UNCLASSIFIED EXCAVATION
511	104	C.Y.	CLASS 'C' CONCRETE, ABOVE FOOTING
511	133	C.Y.	CLASS 'C' CONCRETE, FOOTING
512	17	S.Y.	TYPE 'B' WATERPROOFING, 36" WIDE
609	14,329	LB.	REINFORCING STEEL
516	23	SF.	1" PREFORMED EXPANSION JOINT FILLER
518	156	LF.	8" PERFORATED, HELICAL CORR. STEEL PIPE 707.01
518	10	LF.	8" NON-PERFORATED, HELICAL CORR. STEEL PIPE, INCLUDING SPECIALS 707.01
518	96	C.Y.	POROUS BACKFILL
508	LUMP	LUMP	COFFER DAMS, CRIBS AND SHEETING

BAR LAPS
# 6 - 2'-0"
# 5 - 1'-7"

Sheet supersedes Sheet 85, 3-27-81

**FRANKLIN CONSULTANTS INC.** 25 / 28  
Consulting Engineers

COLUMBUS, OHIO

**RETAINING WALL**

STA. 15+97 TO STA. 16+53

DESIGNED	DRAWN	TRACED	CHECKED	REVIEWED	DATE	REVISED
HM	HM	SB	SM	JA	10/22/77	3/27/81

BRUNING 44-132 30845-1