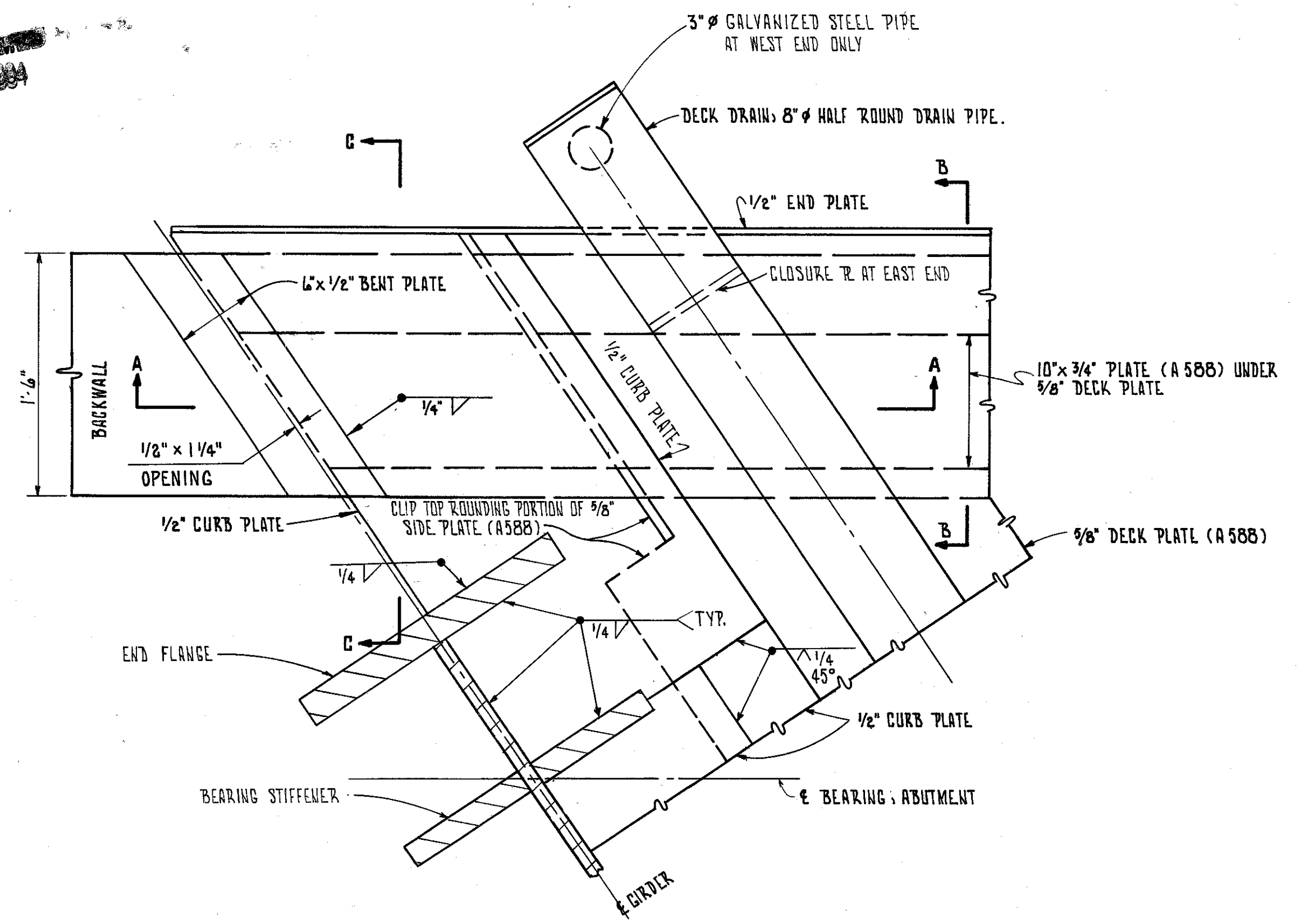
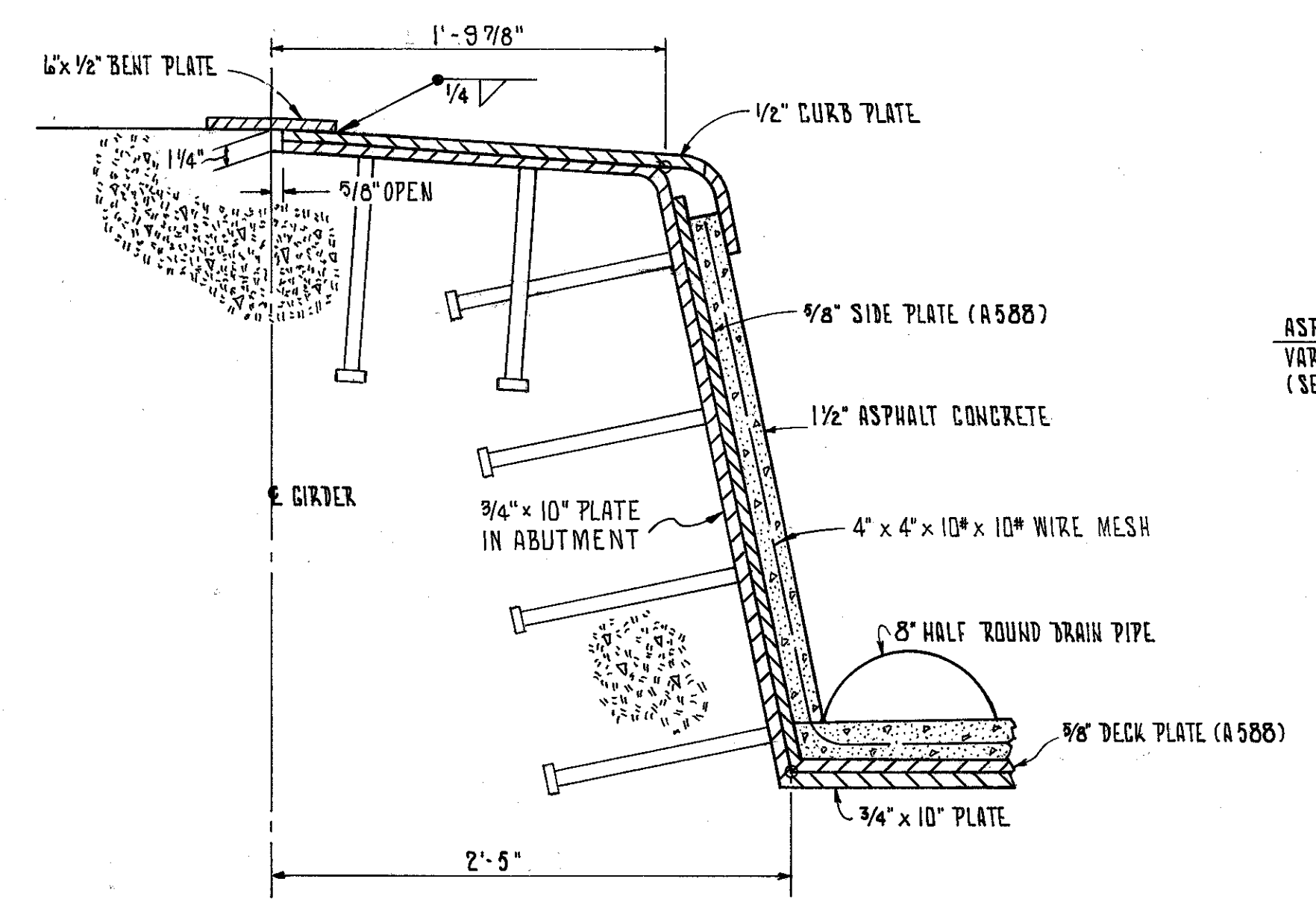


LAKE COUNTY
LAK 306-6.15

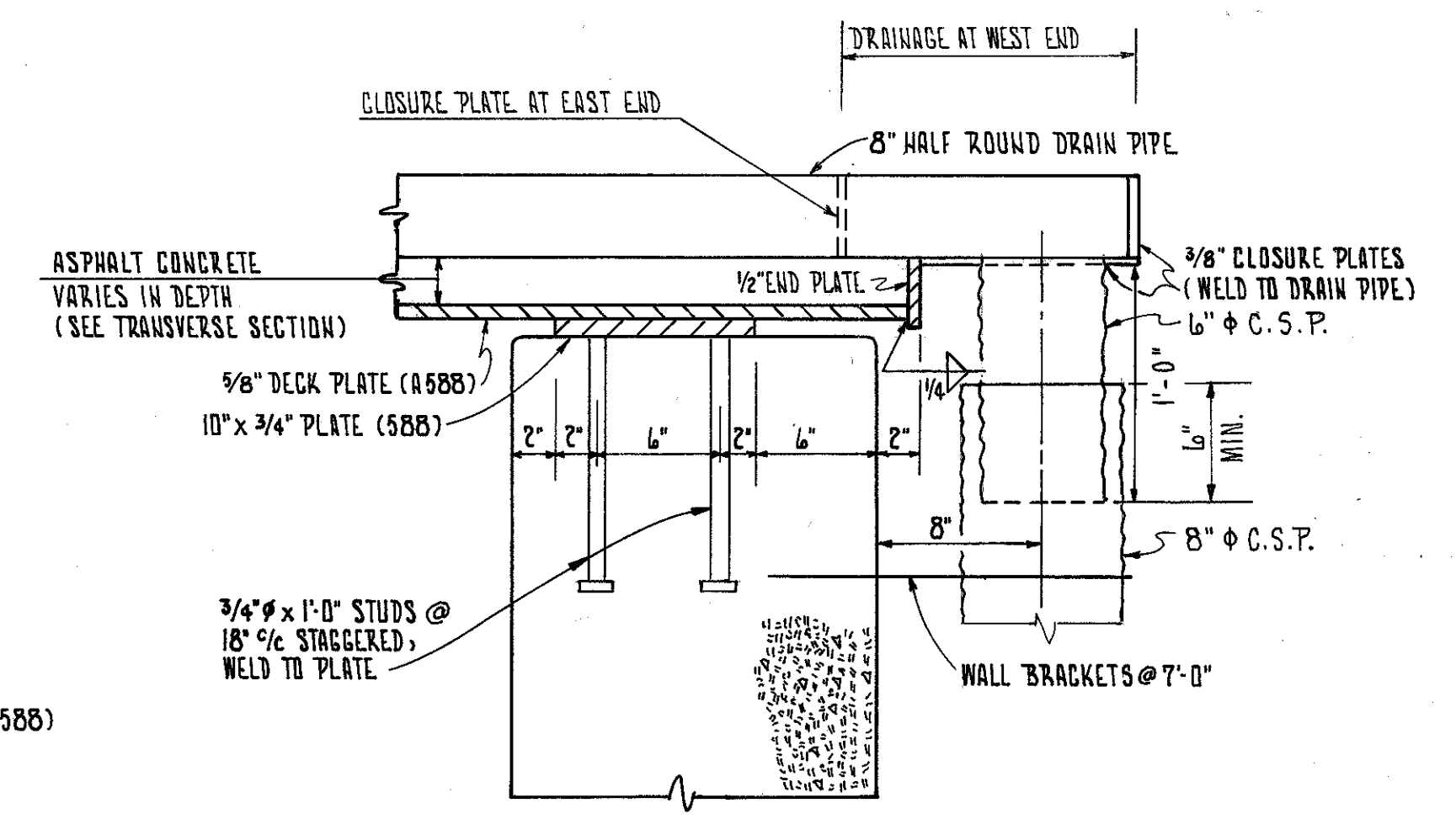
APR 24 1934



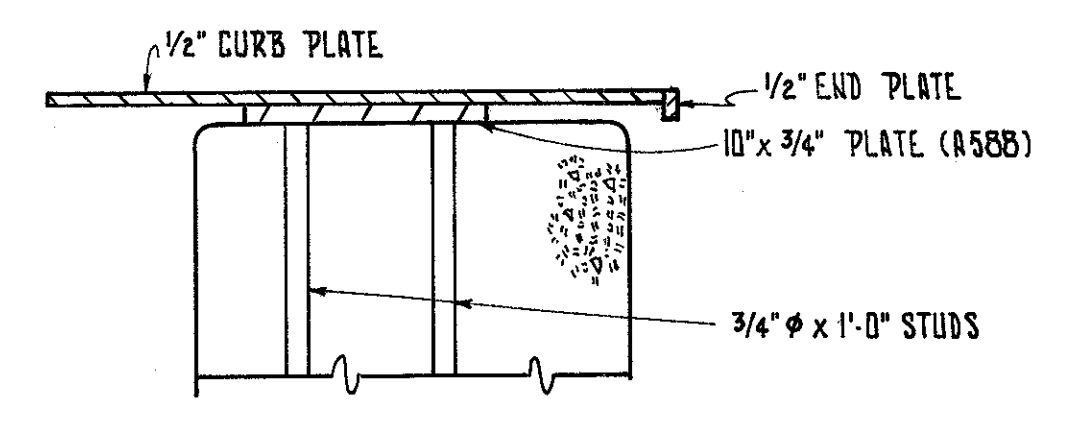
PLAN - FLOOR PLATE AT ABUTMENT



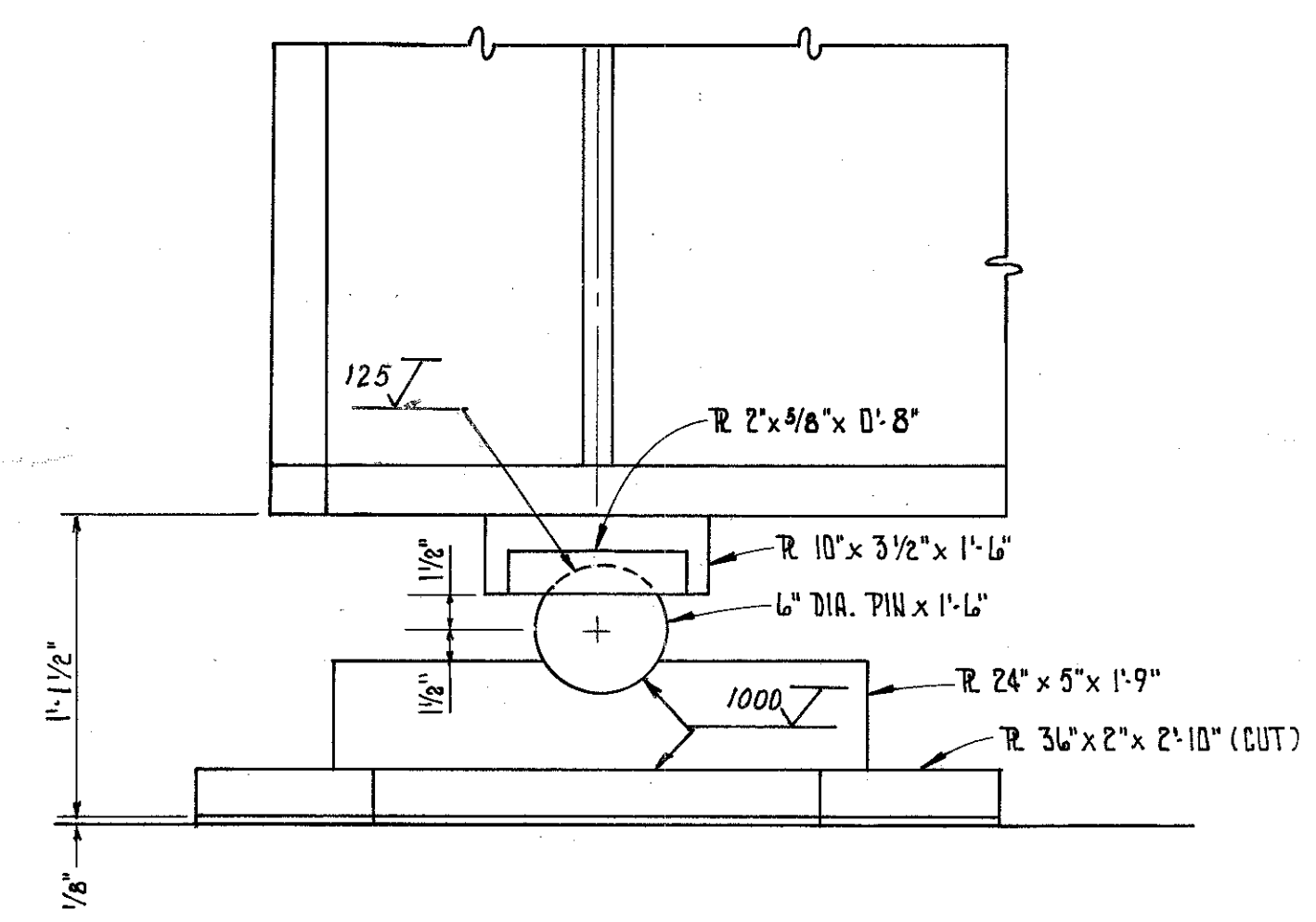
SECTION A-A



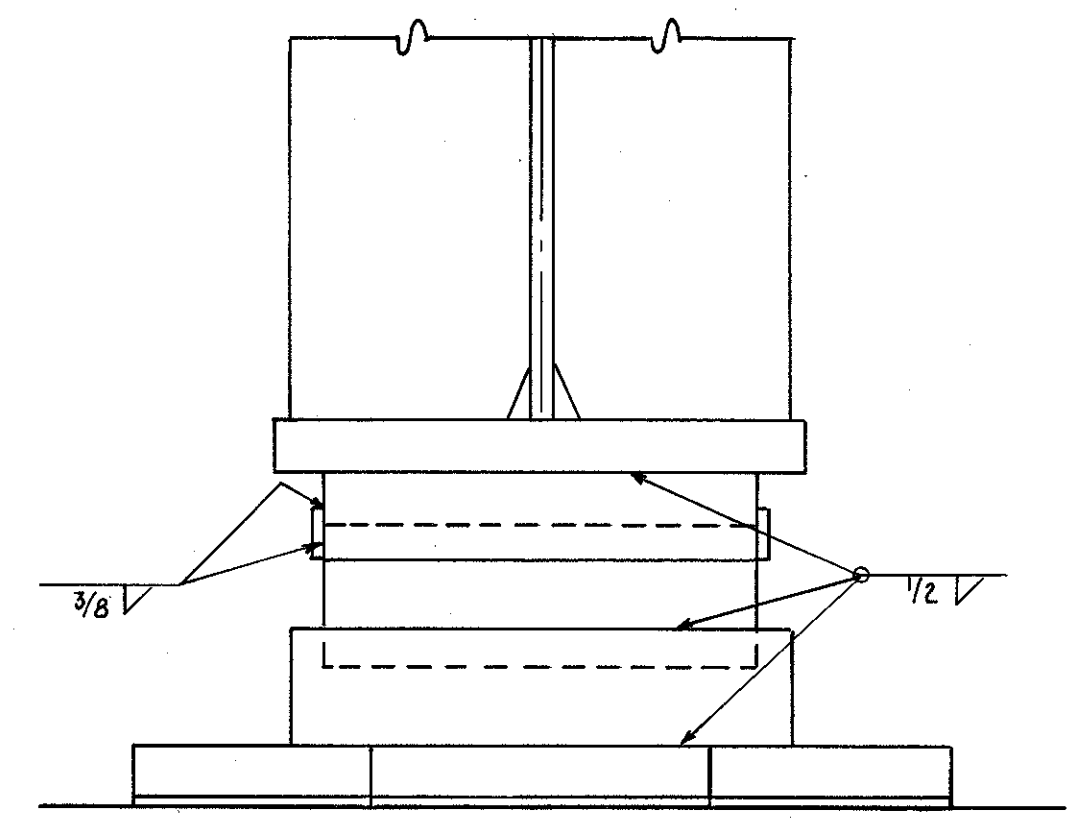
SECTION B-B



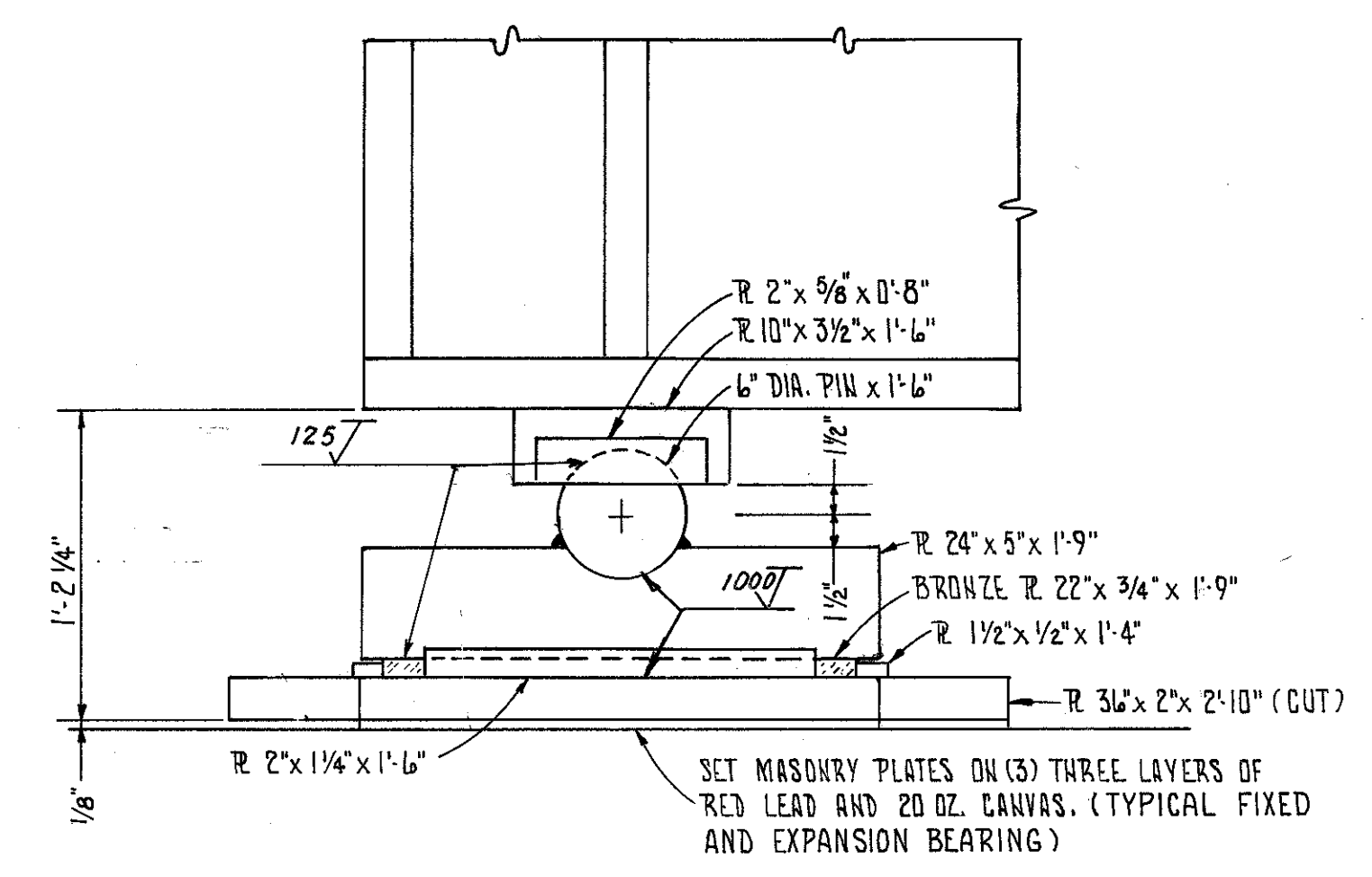
SECTION C-C



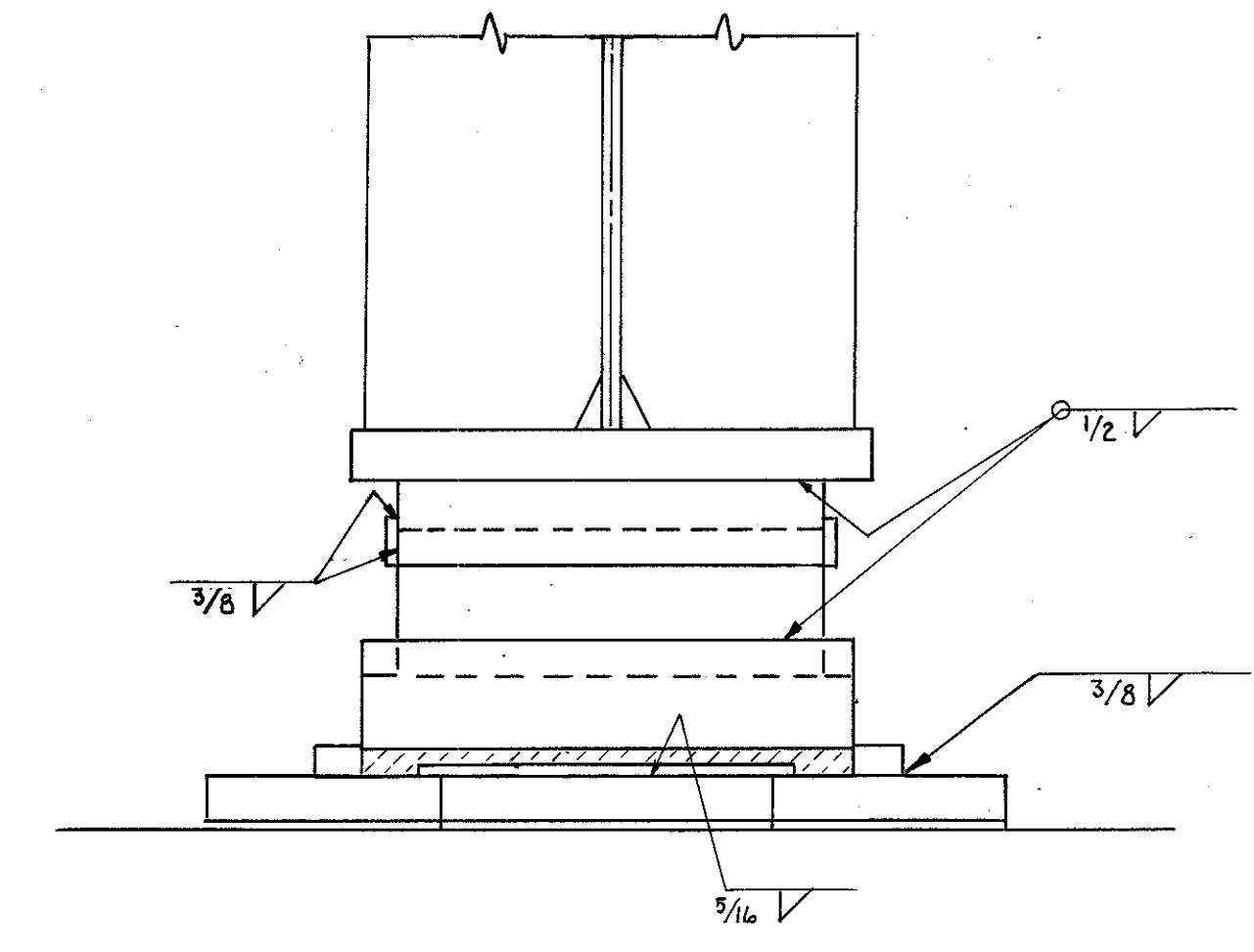
FIXED BEARING REAR ABUTMENT



EXPANSION BEARING FORWARD ABUTMENT



See sheet 17/28 for details of masonry plates.



FRANKLIN CONSULTANTS INC.						21 / 28
Consulting Engineers						
COLUMBUS,						OHIO
SUPERSTRUCTURE DETAILS						
BRIDGE NO. LAK - 306 - 0638						
S.R. 306 UNDER						
CONSOLIDATED RAIL CORPORATION						
DESIGNED	DRAWN	TRACED	CHECKED	REVIEWED	DATE	REVISED
HM	HM	RA	SM	JF	10/22/17	