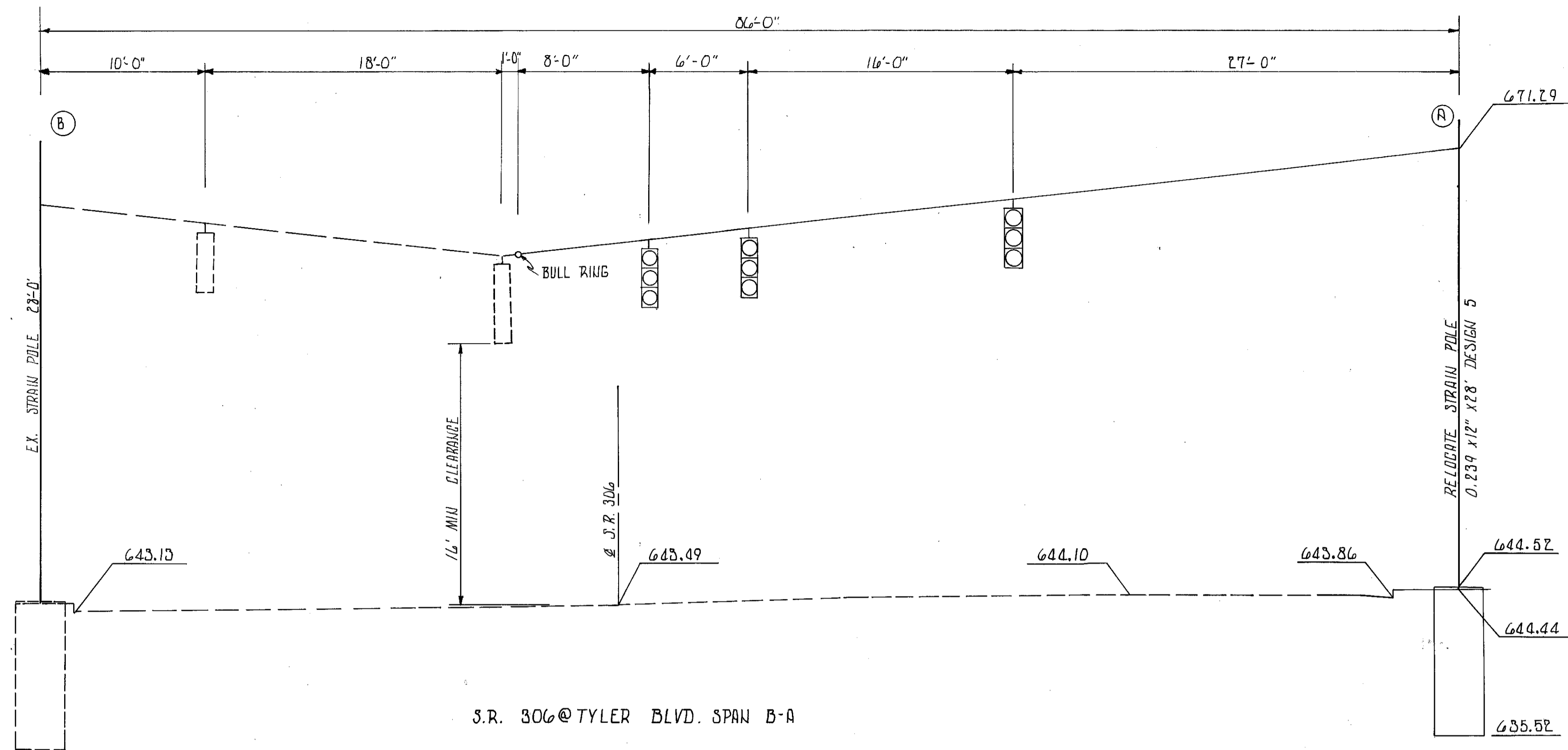


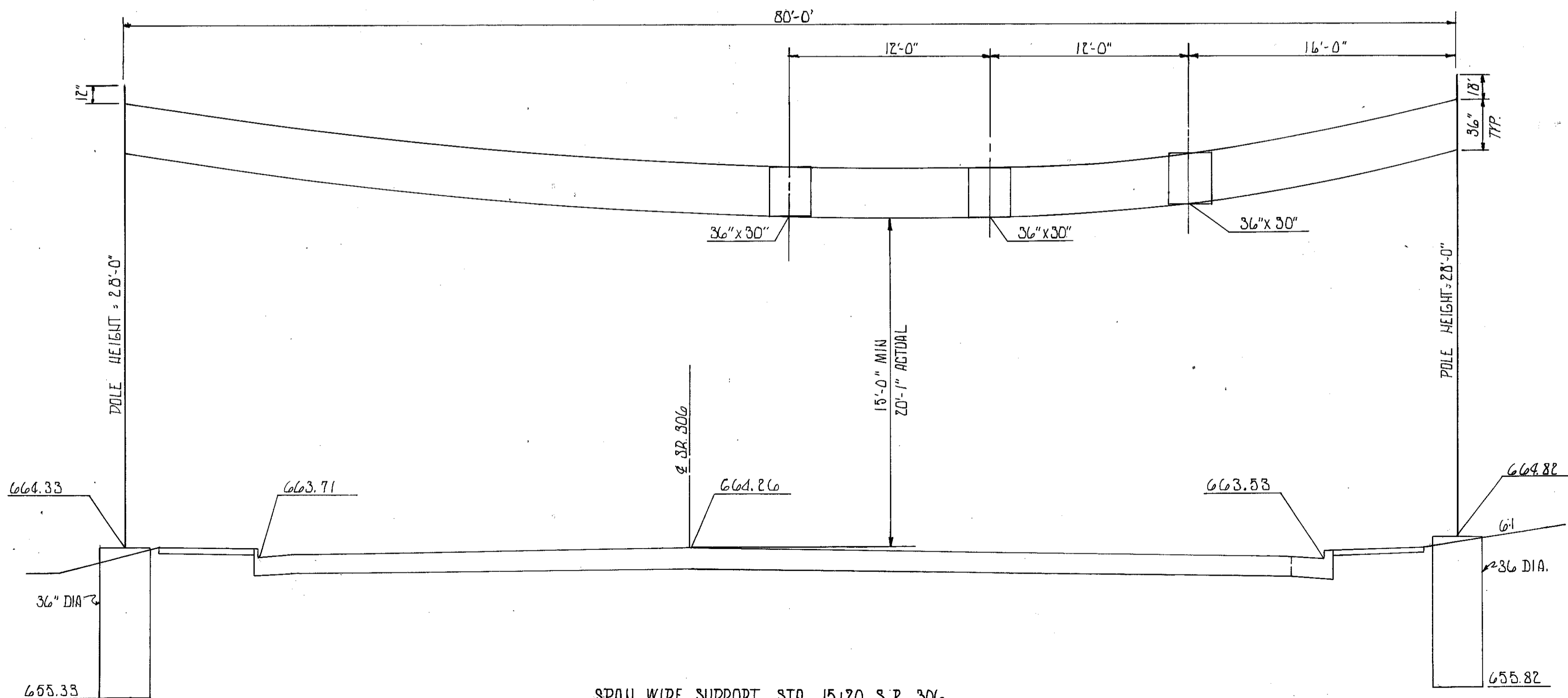
FHWA REGION	STATE	PROJECT
5	OHIO	

LAKE COUNTY  
LAK-306-615

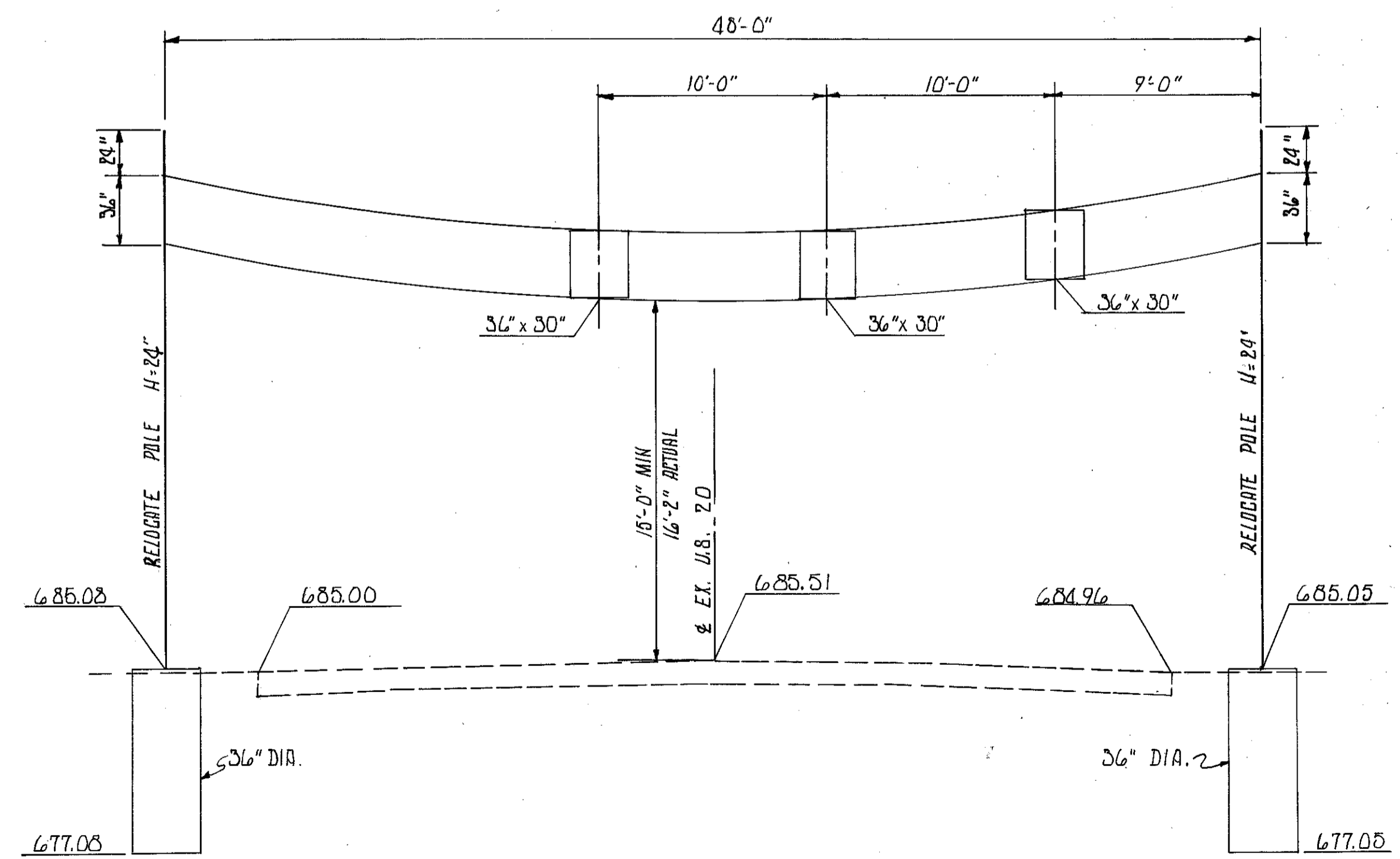
60  
101  
8  
8



S.R. 306@TYLER BLVD. SPAN B-A



SPAN WIRE SUPPORT STA. 15+20 S.R. 306  
DESIGN NO. 5



RELOCATED SPAN WIRE SUPPORT STA. 85+60 U.S. 20  
DESIGN NO. 4