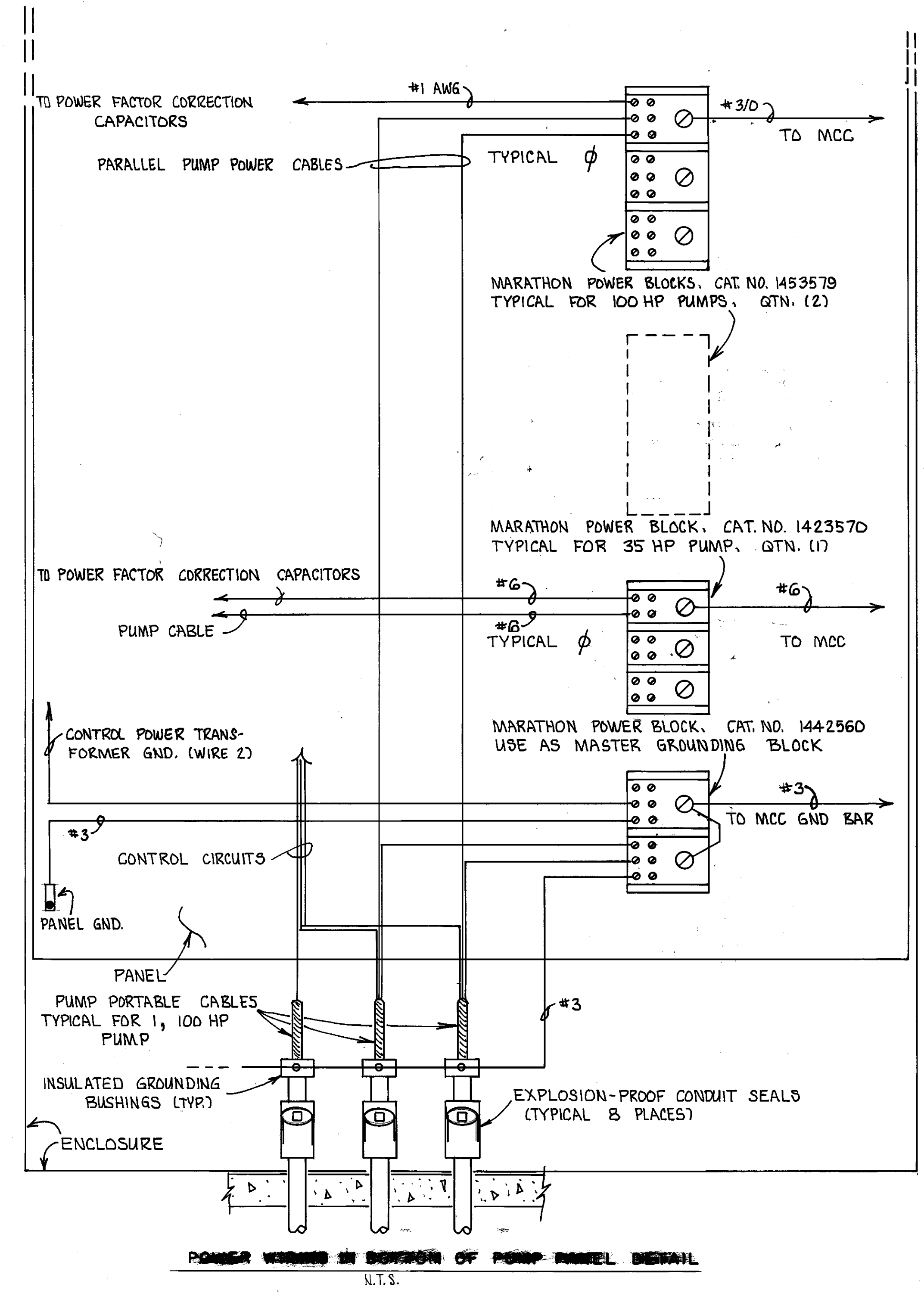
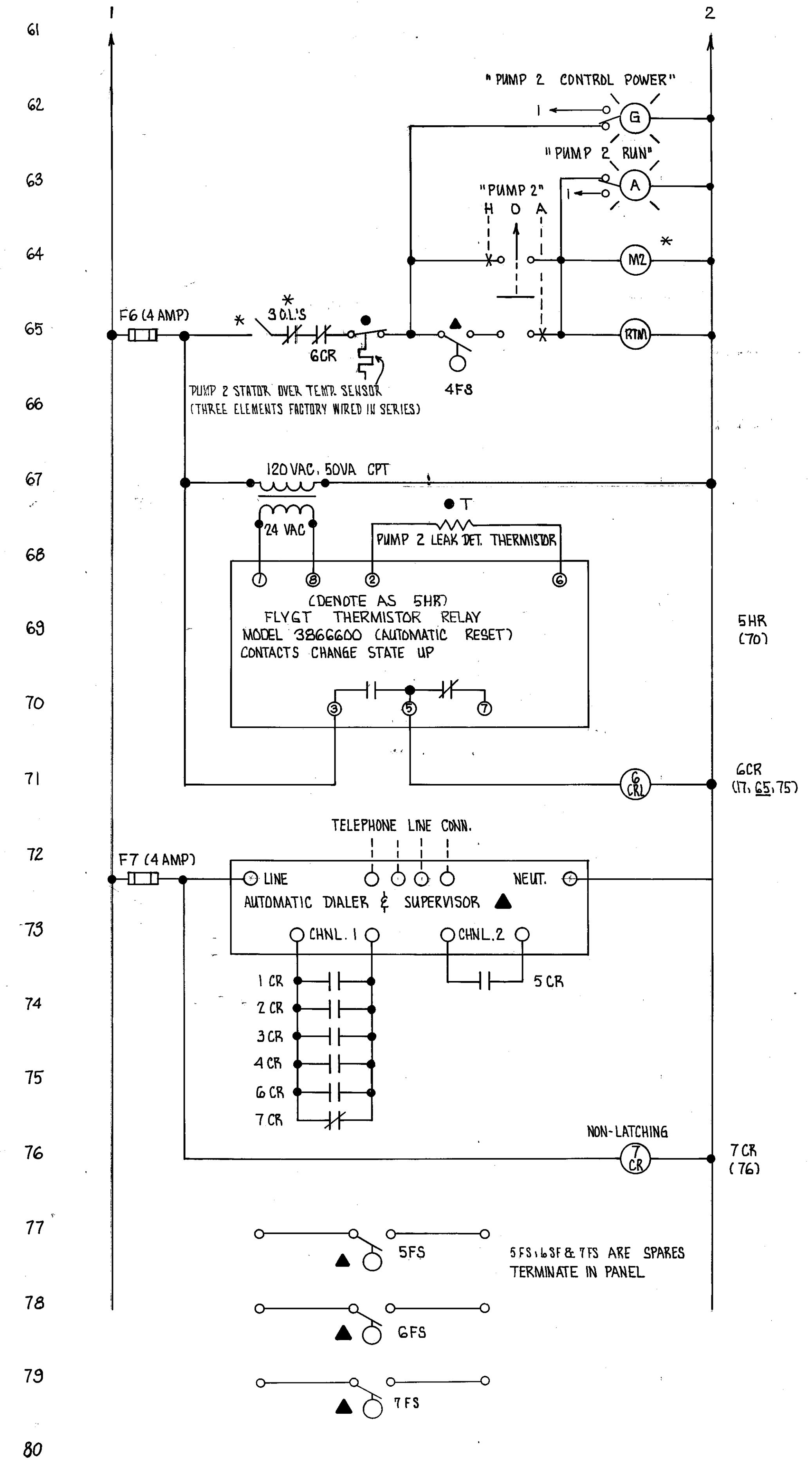


LAKE COUNTY
LAK-306-6.15

- GENERAL PANEL NOTES**
1. DATA SHOWN FOR THERMISTOR RELAYS, ALTERNATOR, ETC. IS TENTATIVE. BUILD FROM FACTORY CERTIFIED DWGS.
 2. PROVIDE LAMICOID NAMEPLATES FOR ALL EXPRESSIONS ENCLOSED IN "PARENTHESES" ON DWG. - BLACK LETTERED.
 3. CONTACTS ICR ARE ASSOCIATED WITH BOTH ICRL (LATCH) COIL AND ICRL (UNLATCH) COIL. TYPICAL NOTATION FOR ALL MECHANICALLY HELD RELAYS.
 4. ALL FIELD WIRING TO BE TERMINATED ON TERMINAL STRIP BLOCKS - NOT ON RELAYS OR INSTRUMENTS!
 5. SET 5FS & 6FS SO THAT THEY DO NOT CYCLE UNTIL PUT INTO USE.
 6. PROVIDE RED LETTERED NAMEPLATE BY PUMP PANEL DOOR HANDLE READING:
"WARNING
TURN OFF "CONTROL POWER-PUMP PANEL", "PUMP 1", PUMP 2", & "PUMP 3" ON MOTOR CONTROL CENTER BEFORE OPENING PANEL DOOR, WORKING ON ANY CAPACITOR, OR WORKING ON ANY PUMP. LOCK OFF WITH PAD LOCKS."
 7. PROVIDE MINIMUM OF 1 N.O. CONTACTS ON REVERSIBLE CONTACT RELAYS AND 1 N.O. & 1 N.C. CONTACTS ON NON-REVERSIBLE CONTACT RELAYS OVER AND ABOVE THOSE CONTACTS SHOWN ON THE DWGS.
 8. PROVIDE BLACK FACED NAMEPLATE ON PUMP CONTROL PANEL DOOR READING:
"IF "PUMP-X-CONTROL POWER" PILOT LIGHT IS NOT ILLUMINATED, CHECK MCC DOOR OPERATOR POSITION, STARTER O.L.'S, OVER TEMPERATURE RELAYS, & PUMP LEAK DETECTORS."
 9. CONTROL POWER TRANSFORMER T1 RATED: 1000 VA, INRUSH VA RATING: 40% PF, 90% SEC. VOLTAGE, 1317 VA.
 10. CONTROL POWER FUSES SHALL HAVE A COORDINATION RATIO OF 2:1 OR LESS.
 11. ALL NAMEPLATES ENGRAVED LAMINATED PLASTIC WITH BLACK OR RED LETTERING ON WHITE BACKGROUND.



PUMP CONTROL PANEL - CONTROL WIRING DIAGRAM (SHEET 2 OF 2)

PUMP CONTROL PANEL E4					
FRANKLIN CONSULTANTS INC. Consulting Engineers					
COLUMBUS,					OHIO
PUMP STATION					
ELECTRICAL PUMP CONTROL PANEL DETAILS.					
LAKE COUNTY					S.R.306
DESIGNED R.E.H.	DRAWN R.B.H.	TRACED	CHECKED	REVIEWED W.P.	DATE REVISED

BRUNING 44-132 30845-1