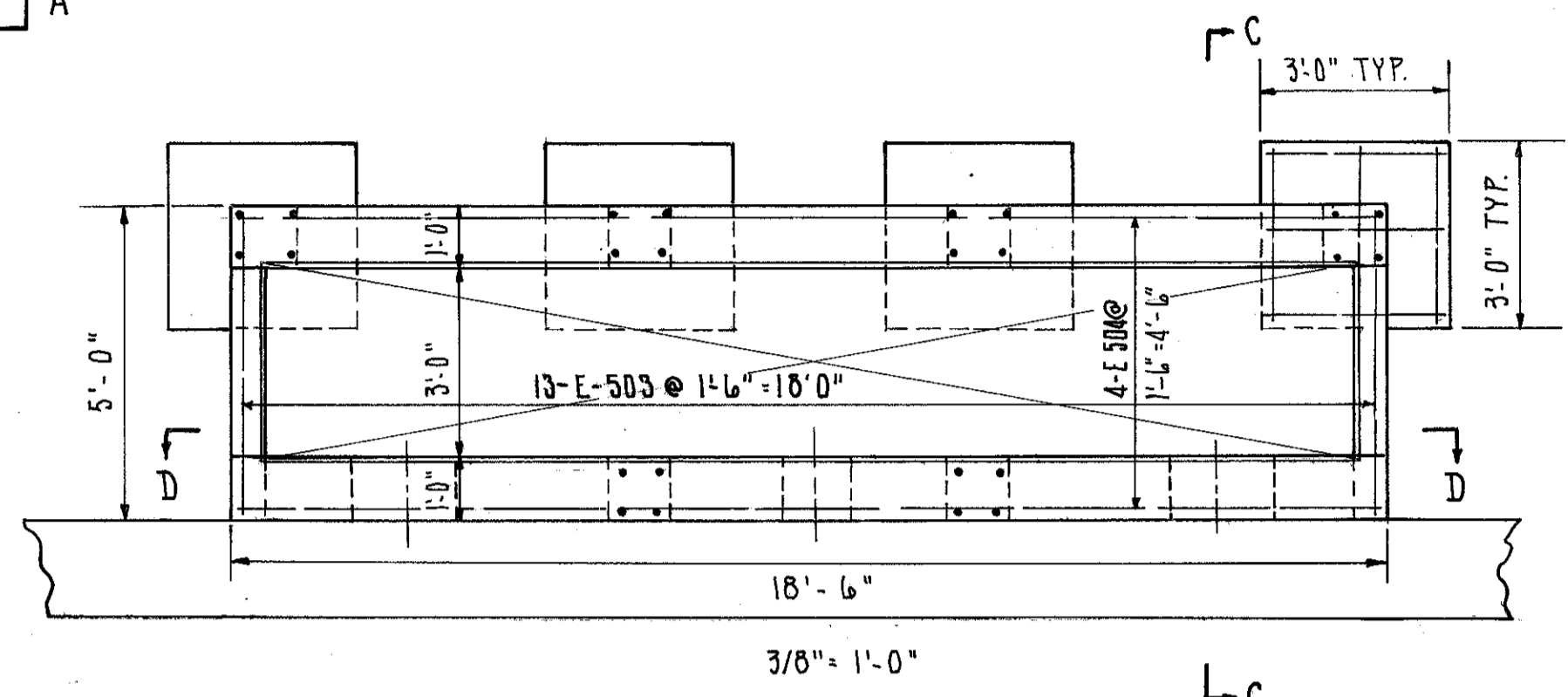
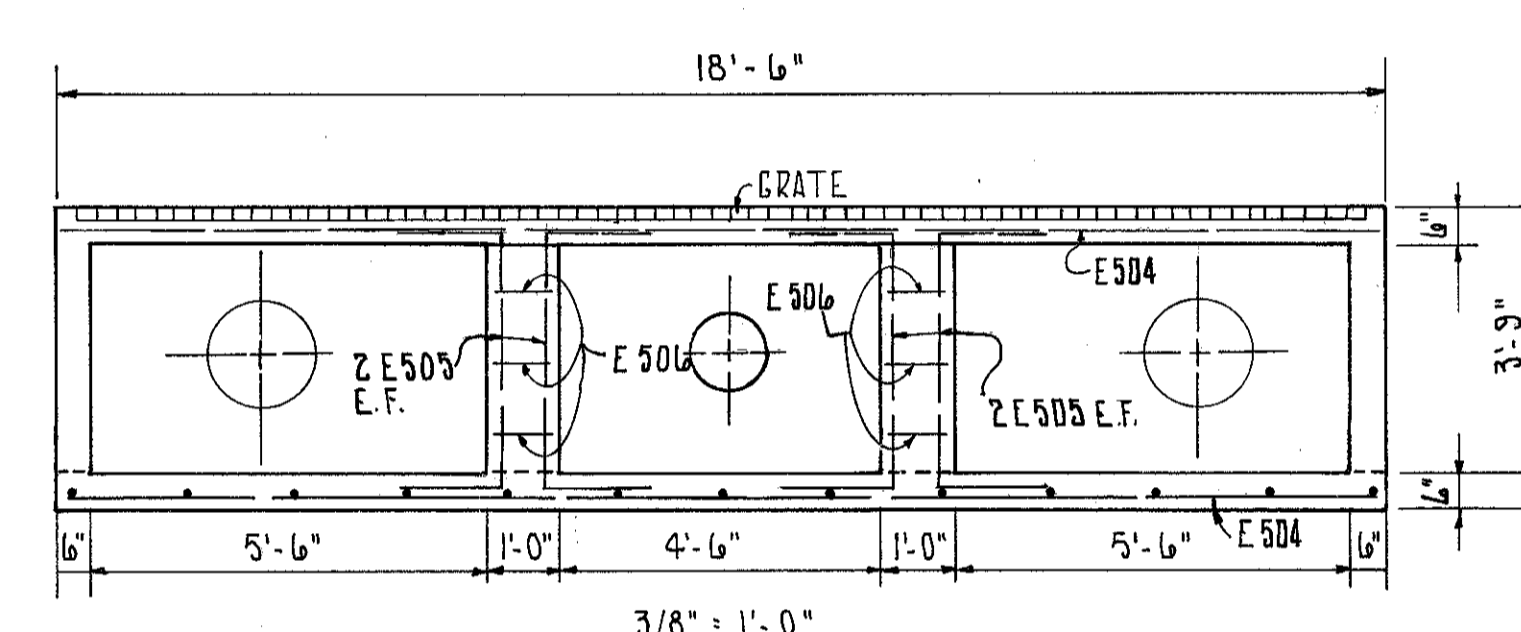


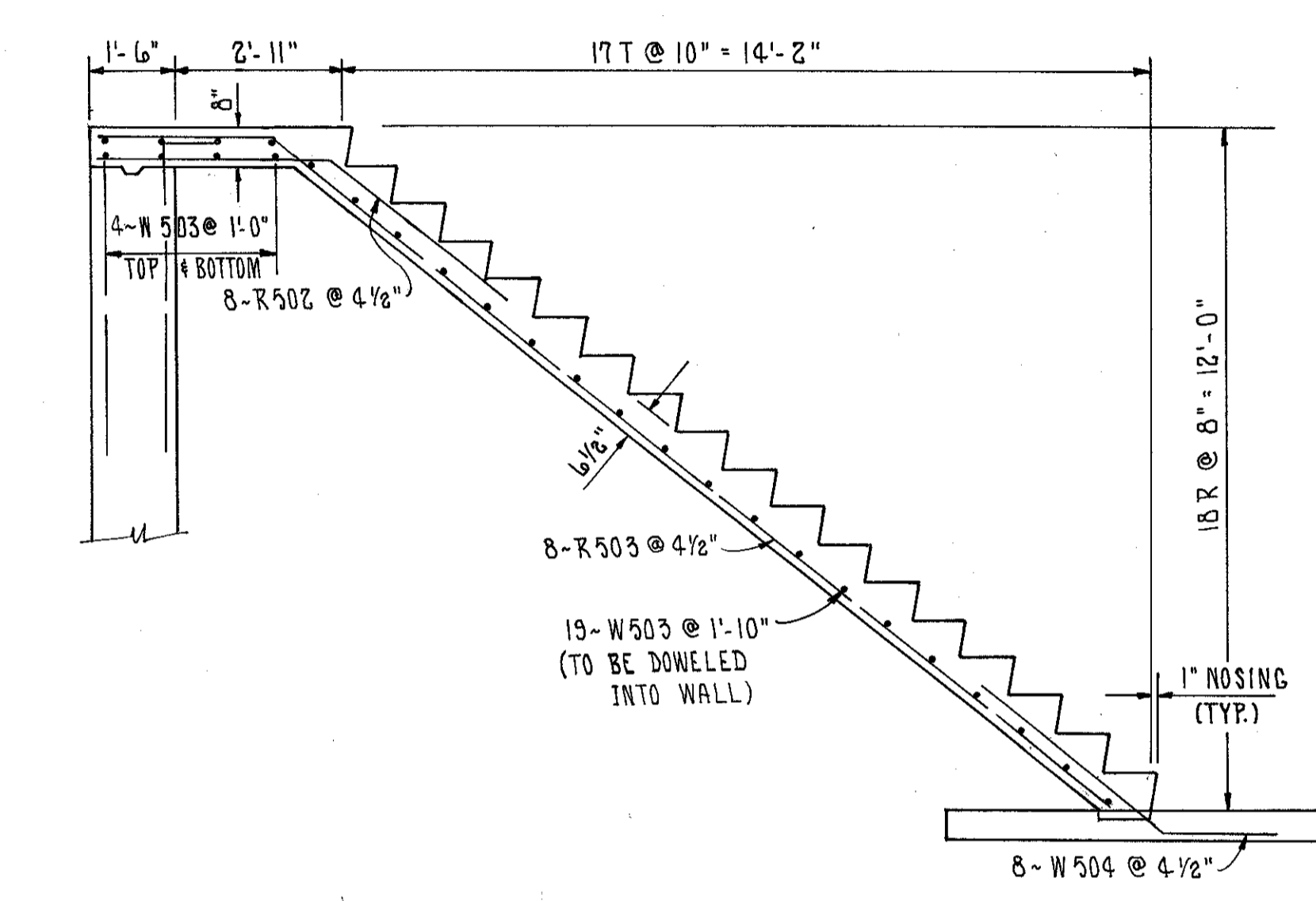
PUMP FOUNDATIONS AND INTAKE



SECTION D-D

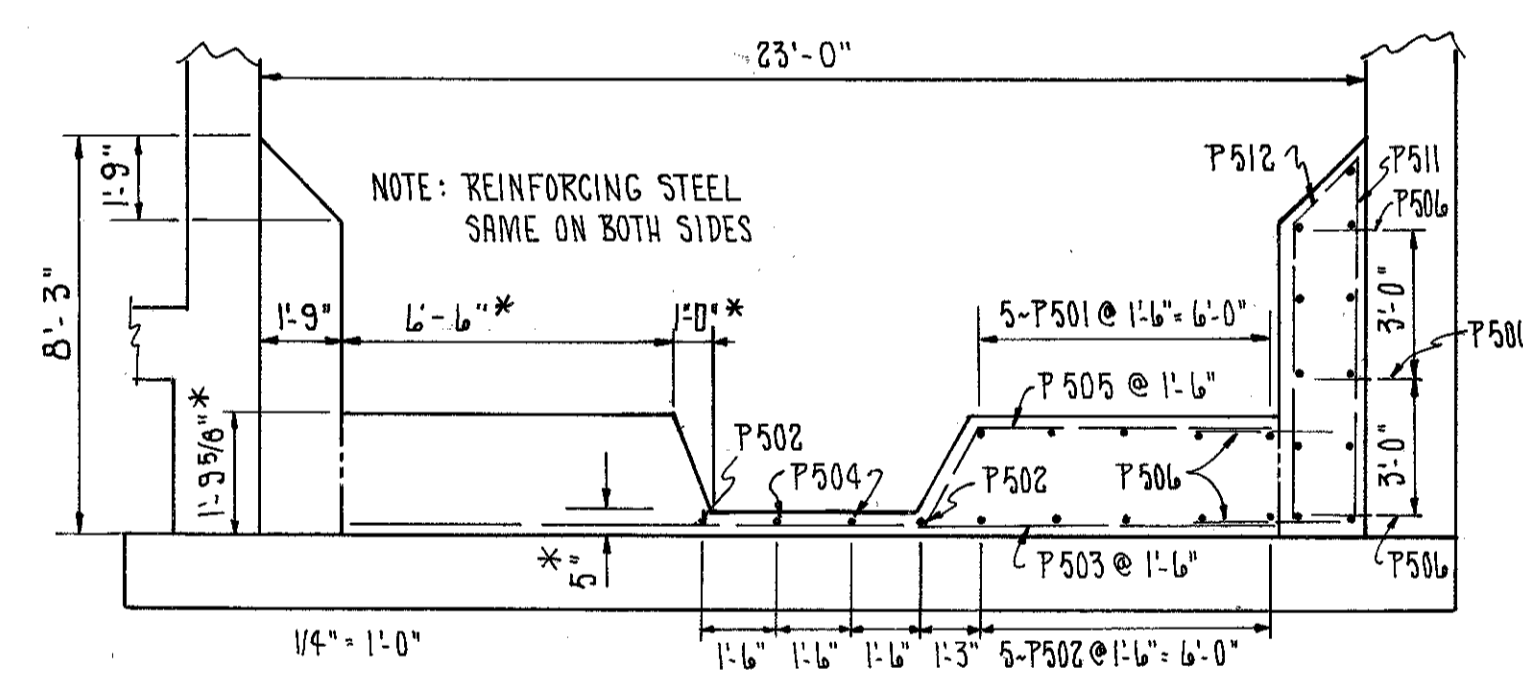


FLAP VALVE CHAMBER

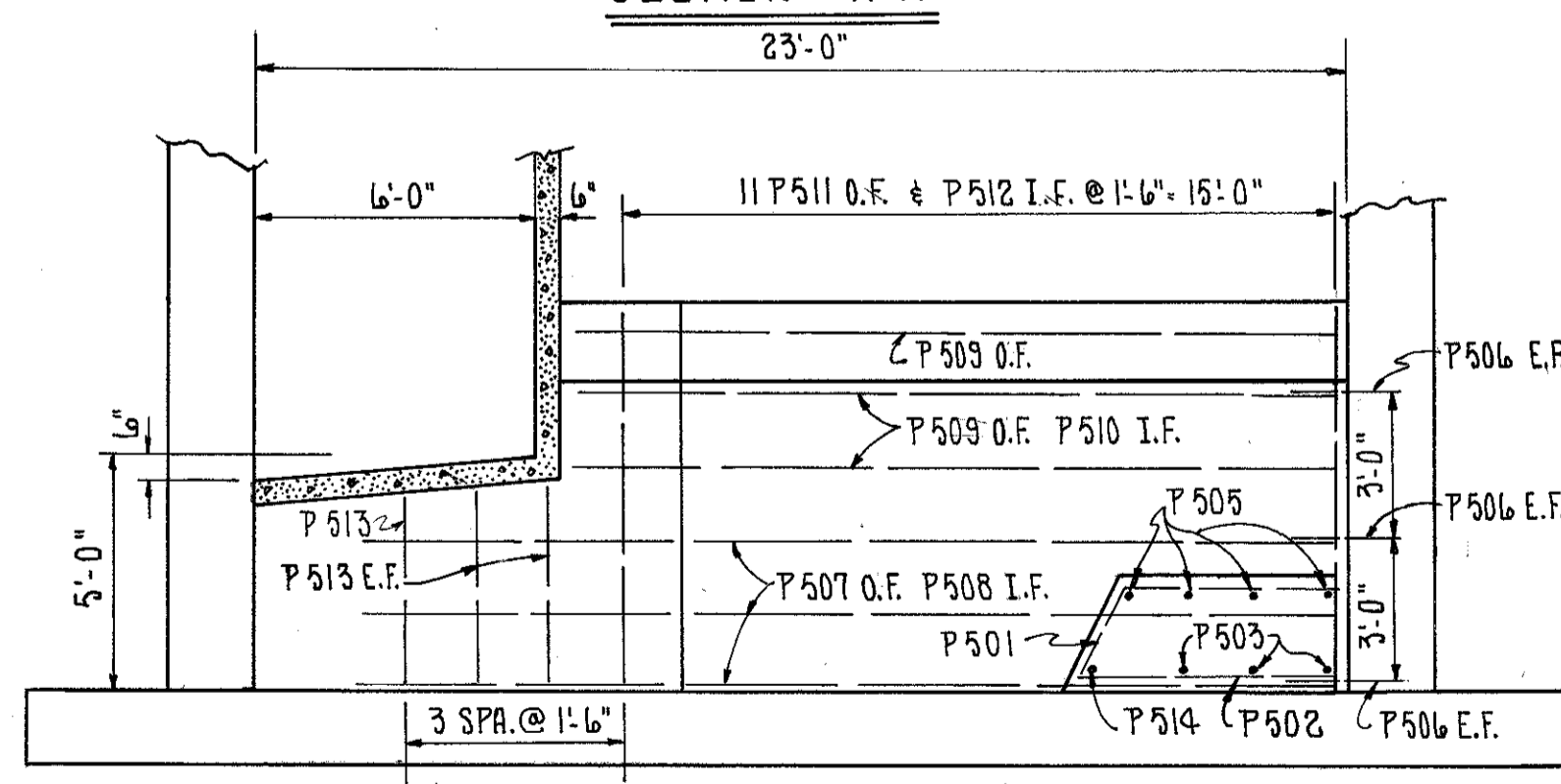


STAIR SLAB DETAILS

NOTE: * DIMENSIONS TO BE CONFIRMED BY THE PUMP MANUFACTURER



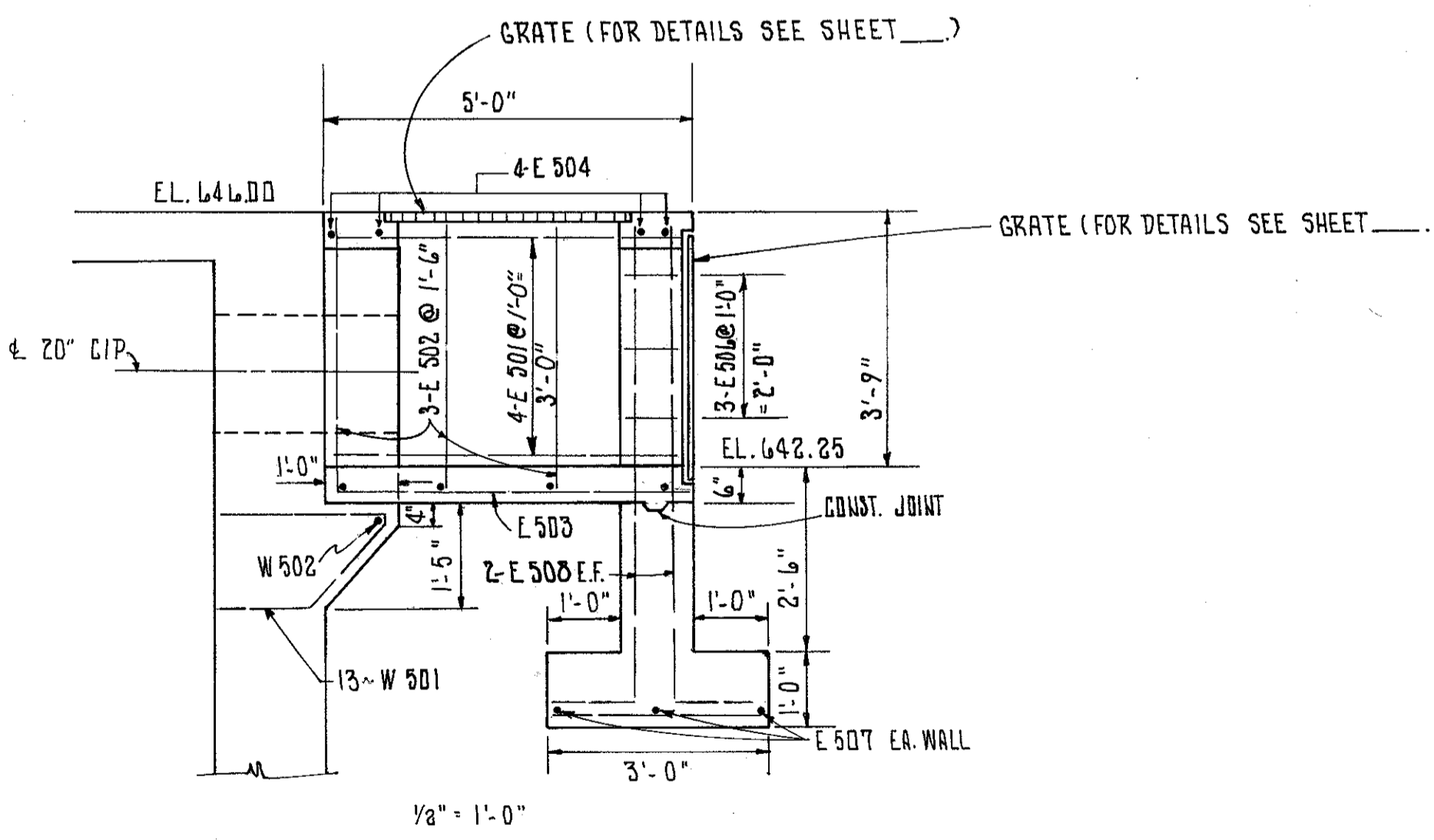
SECTION A-A



SECTION B-B

LEGEND

- I.F. — INSIDE FACE
- O.F. — OUTSIDE FACE
- E.F. — EACH FACE



SECTION C-C

FRANKLIN CONSULTANTS INC.						
Consulting Engineers						
COLUMBUS, OHIO						
PUMP STATION						
DETAILS OF						
PUMP FOUNDATIONS, FLAP VALVE						
PIT AND STAIR SLAB						
DESIGNED	DRAWN	TRACED	CHECKED	REVIEWED	DATE	REVISED
PCB	PCB	F.F.	WDG			