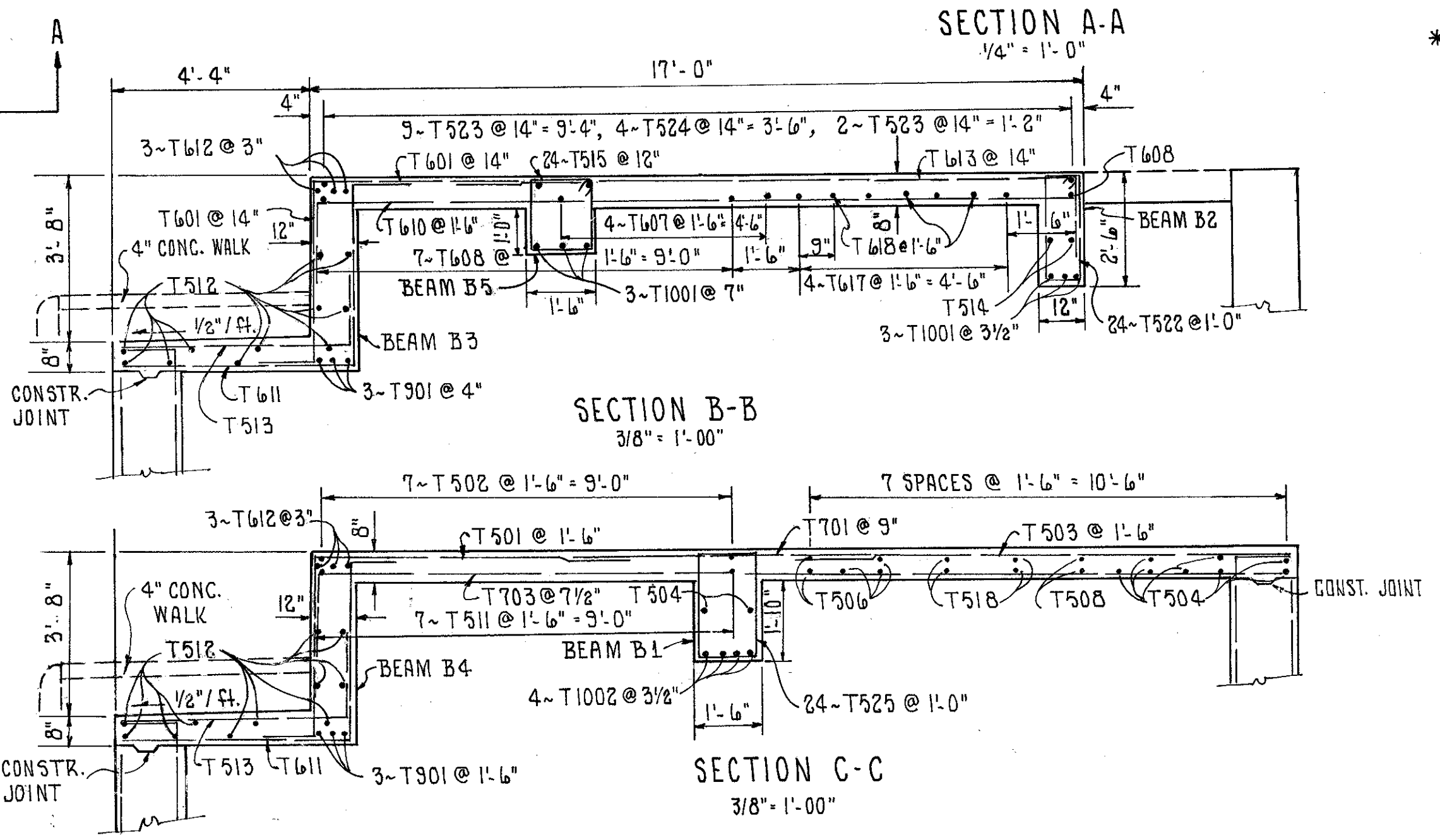
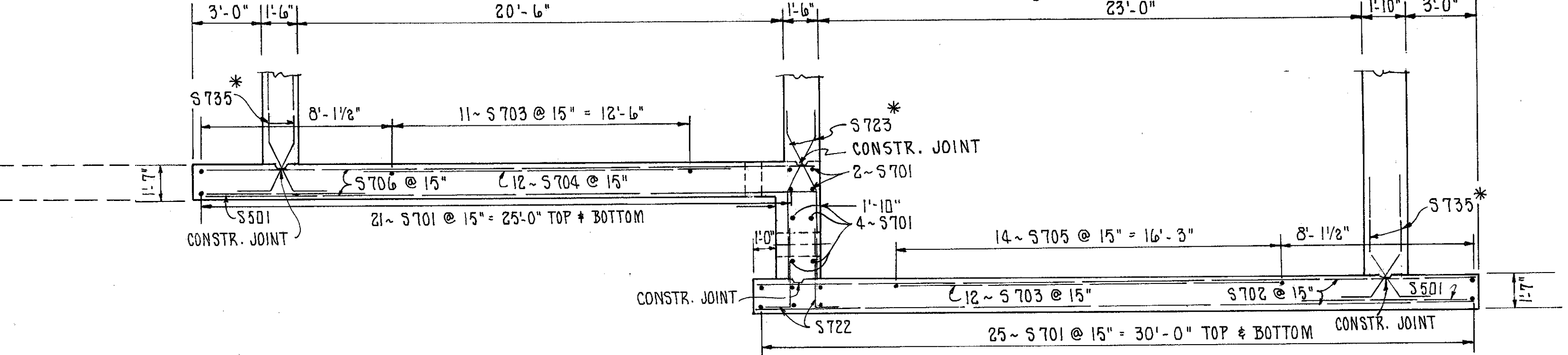
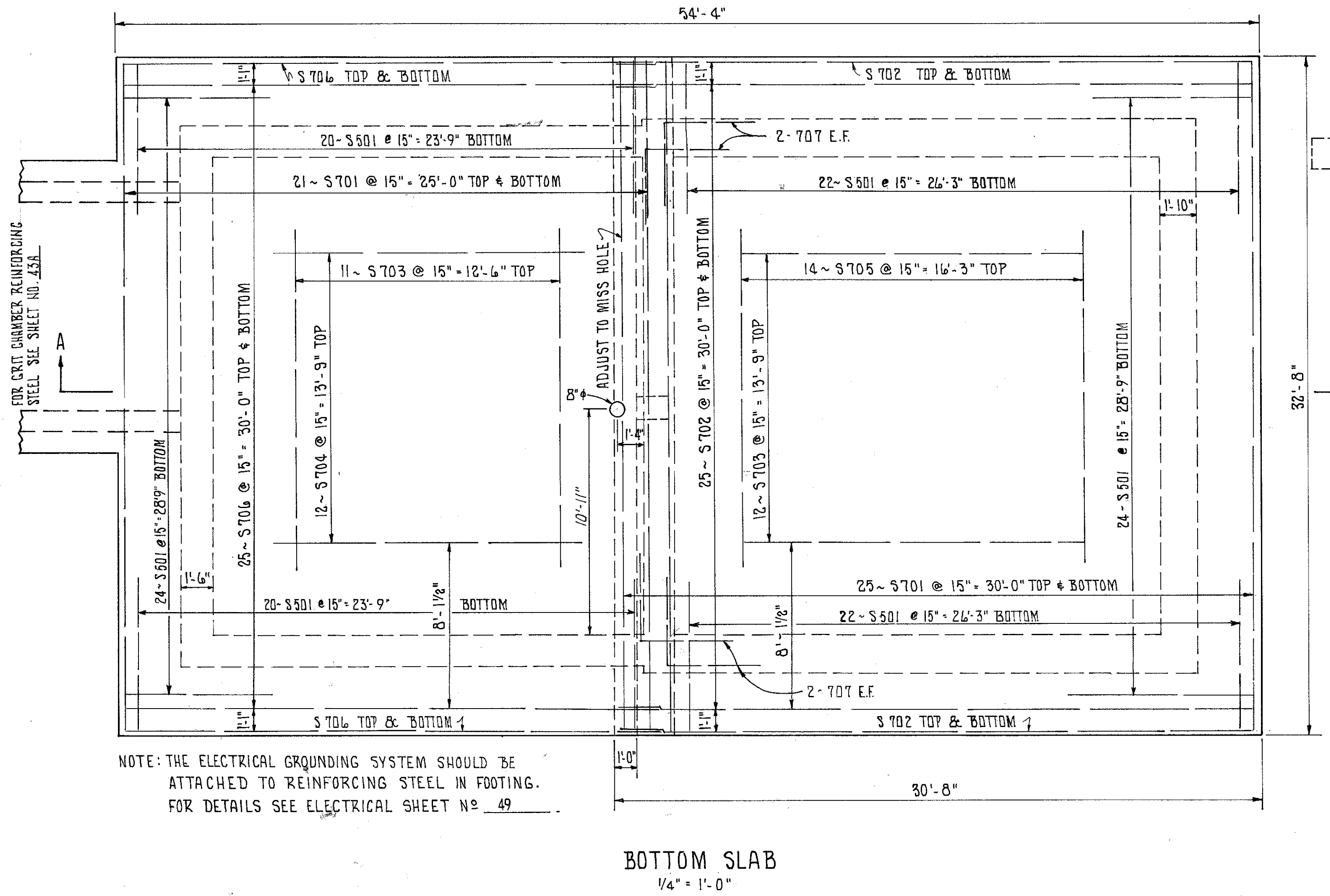
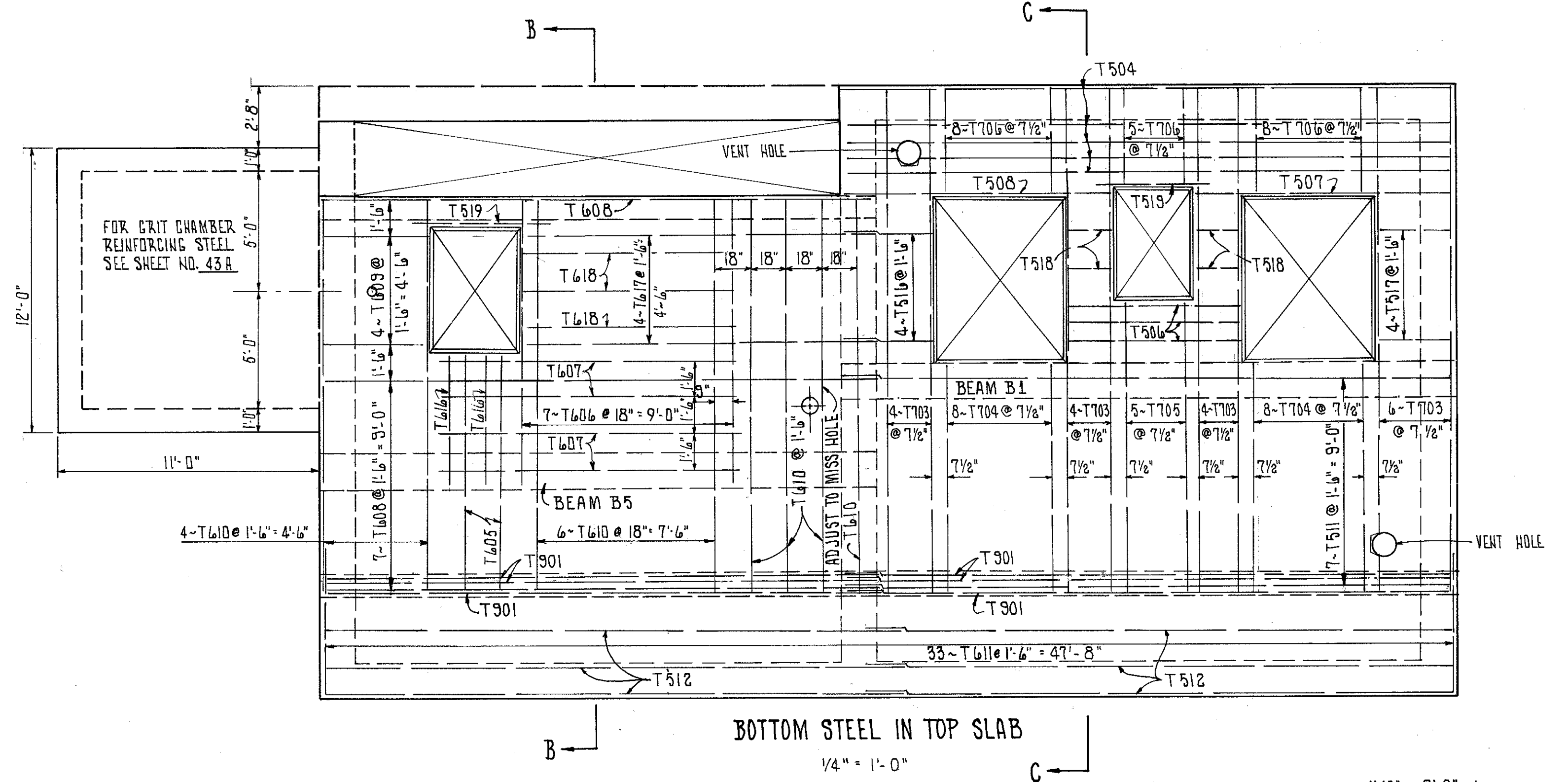
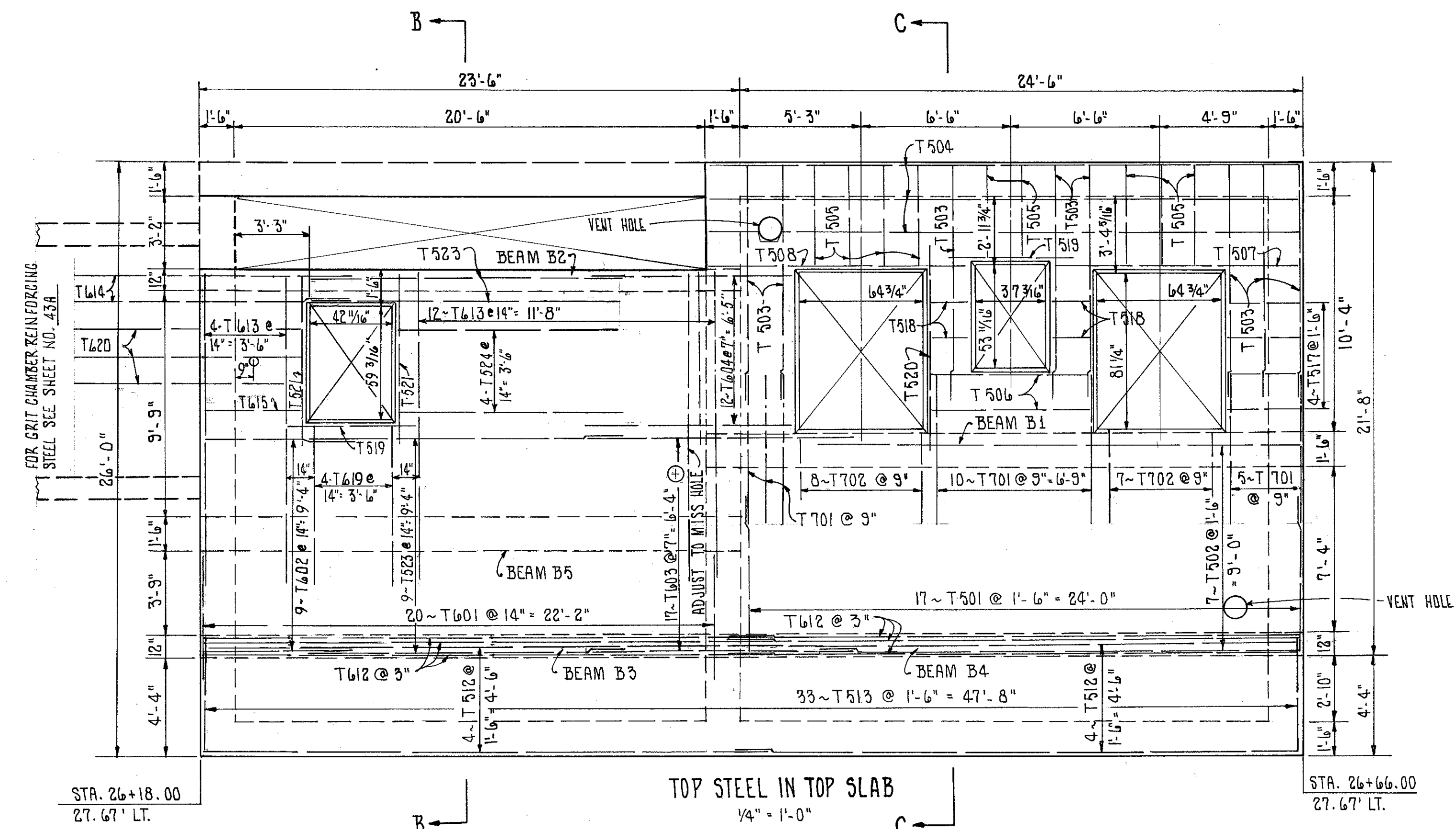


NOTE: 2" MINIMUM CLEARANCE FOR REINF. STEEL ABOVE FOOTING.
3" MINIMUM CLEARANCE FOR REINF. STEEL IN FOOTING.

FHWA REGION	STATE	PROJECT	
5	OHIO		

41
101

LAKE COUNTY
LAK-306-6.15



BAR LAP	
No.	LAP
5	1'-7"
6	1'-11"
7	2'-2"
9	2'-10"
10	3'-2"
8	2'-6"

FRANKLIN CONSULTANTS INC.
Consulting Engineers
COLUMBUS, OHIO

PUMP STATION
REINFORCING STEEL IN TOP AND BOTTOM SLAB

DESIGNED	DRAWN	TRACED	CHECKED	REVIEWED	DATE	REVISED
PCB	PCB	FF	FA			

BRUNING 44-132 30845-1