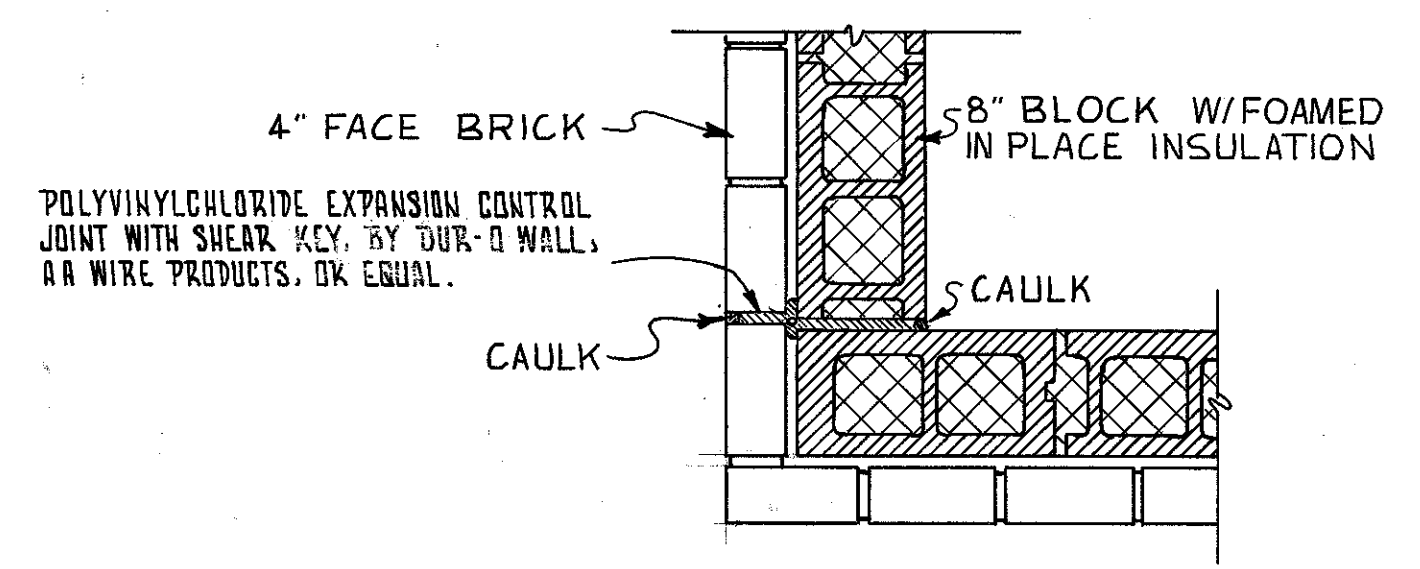
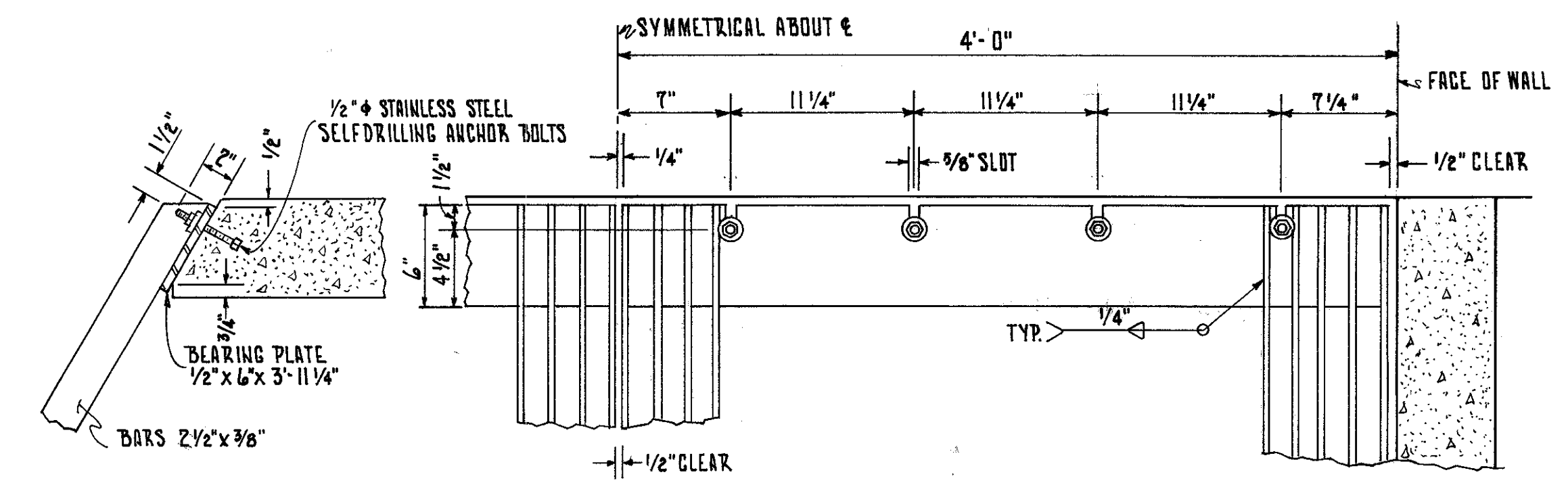


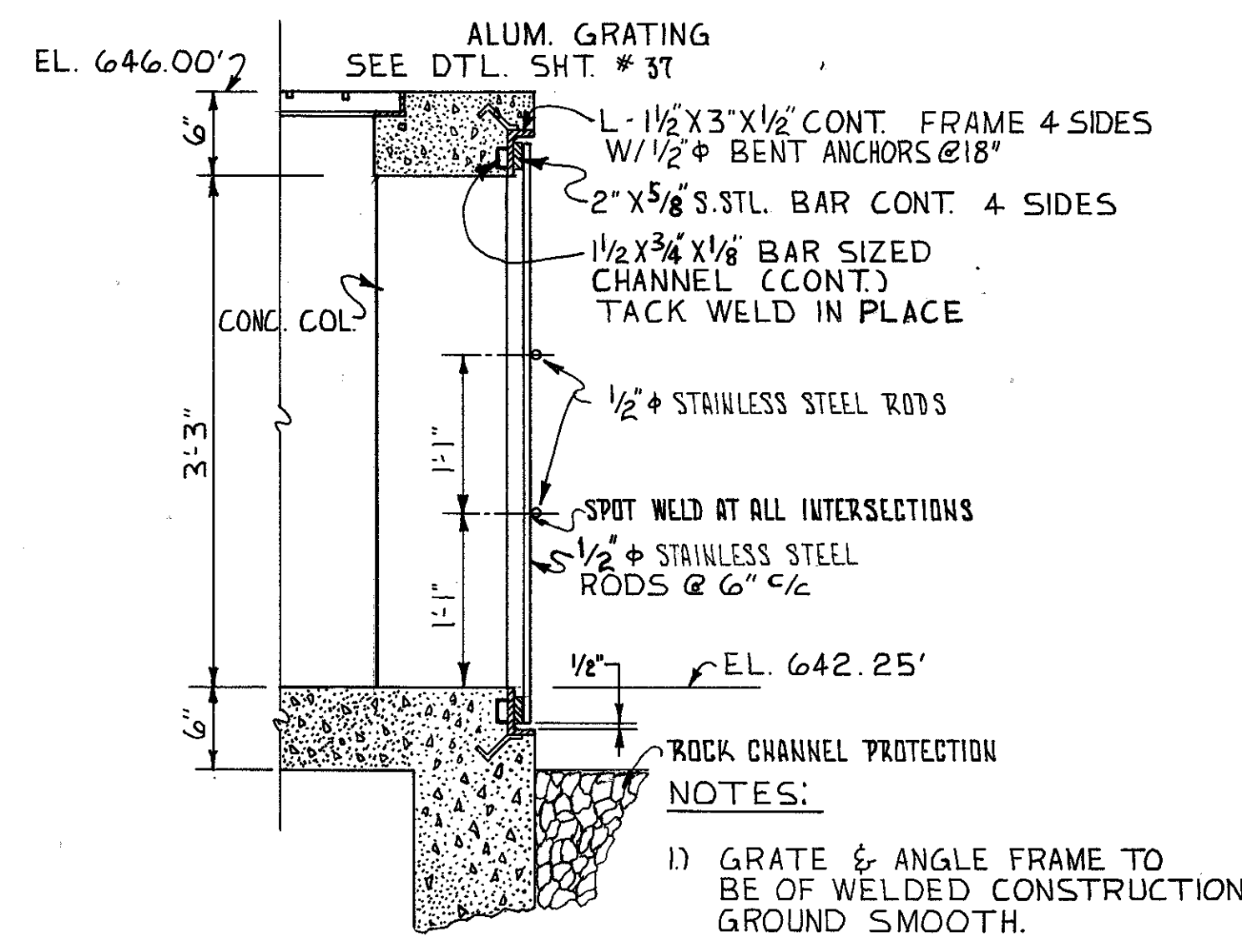
LOUVER DETAIL
NO SCALE



CONTROL JOINT DETAIL
NO SCALE

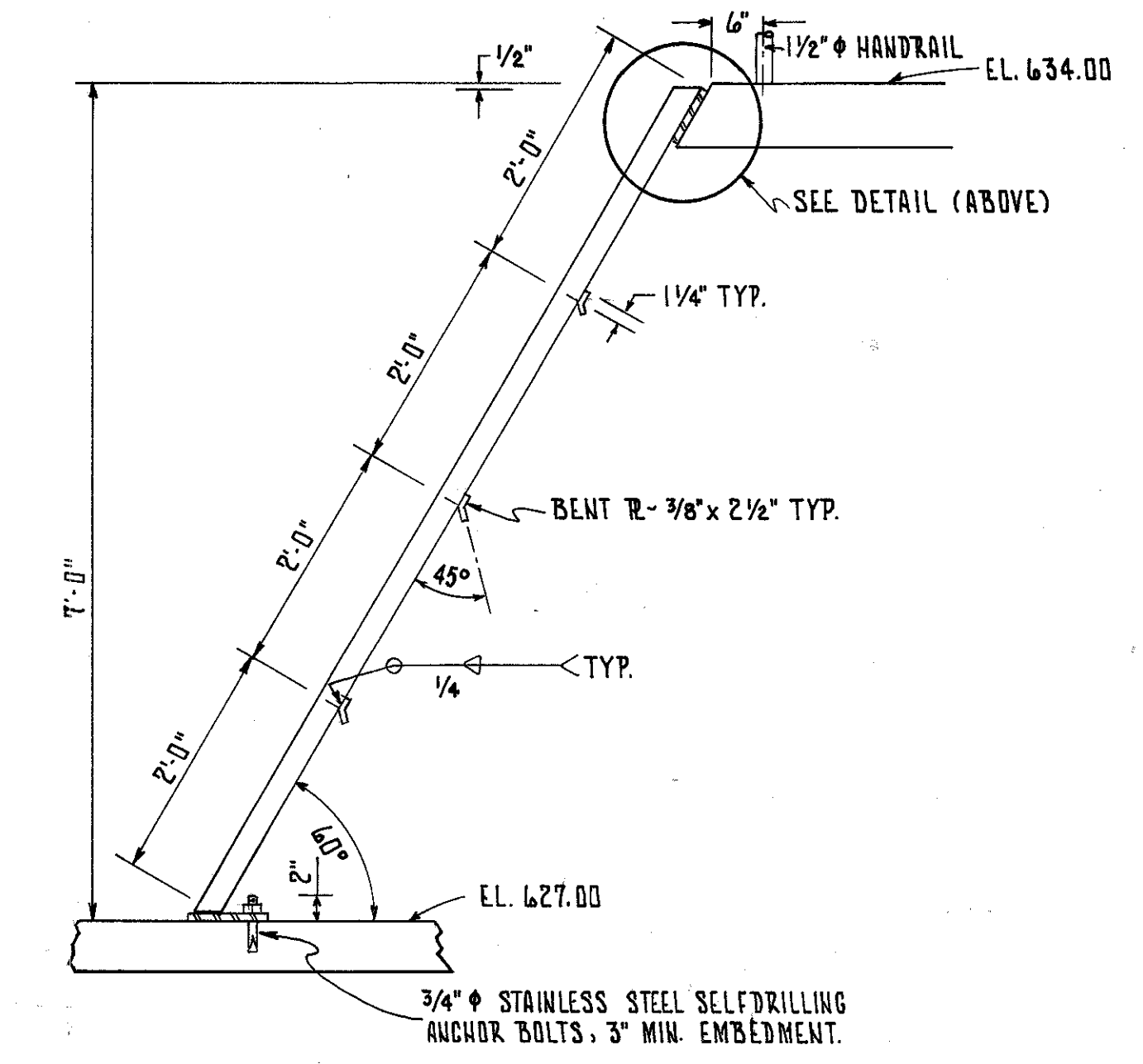


SCALE 1/2\"/>

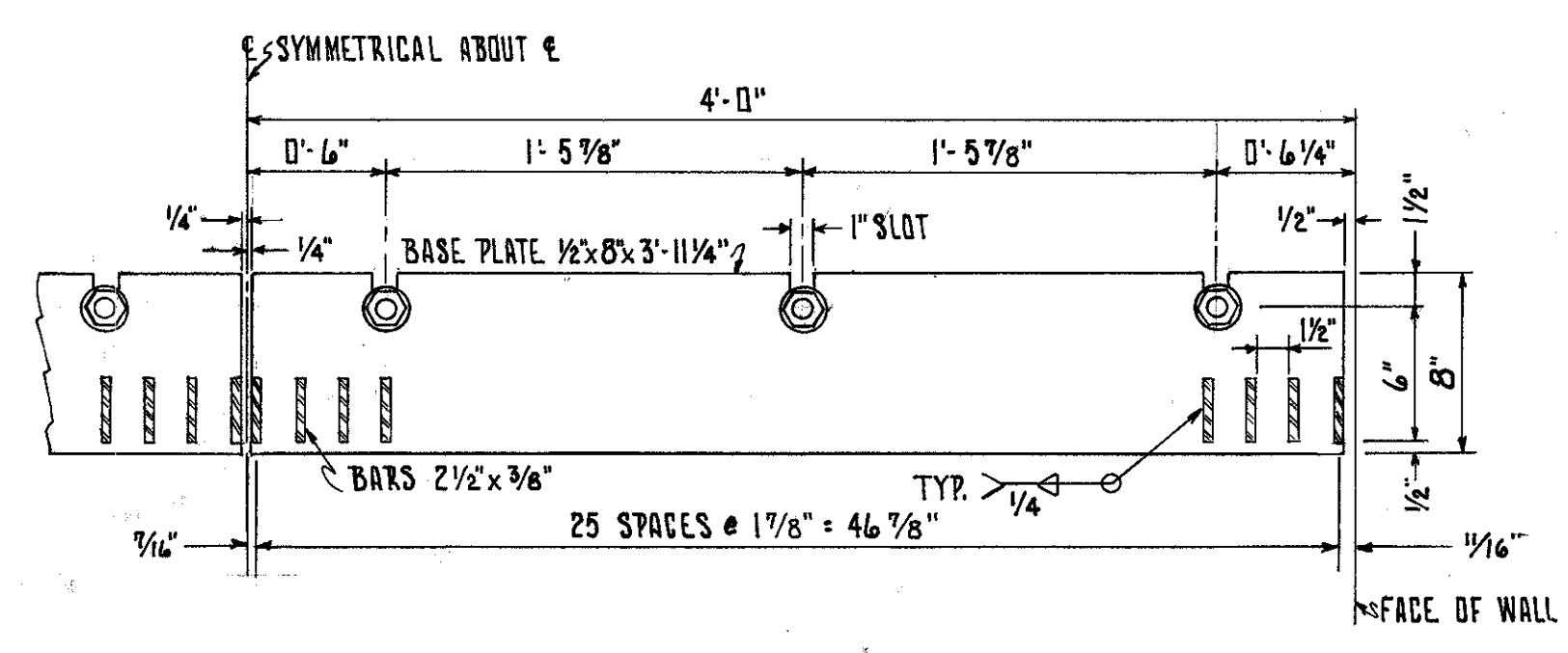


GRATE DETAIL
NO SCALE

- ROCK CHANNEL PROTECTION NOTES:
- 1) GRATE & ANGLE FRAME TO BE OF WELDED CONSTRUCTION GROUND SMOOTH.
 - 2) ALL MATERIALS TO BE STAINLESS STEEL
 - 3) HOLES IN 2\"/>
 - 4) HOLES IN ANGLE FRAME TO BE DRILLED AND TAPPED IN FIELD W/ GRATE IN PLACE. ATTACH GRATE ASSEMBLY TO ANGLE FRAME W/ 1/2\"/>

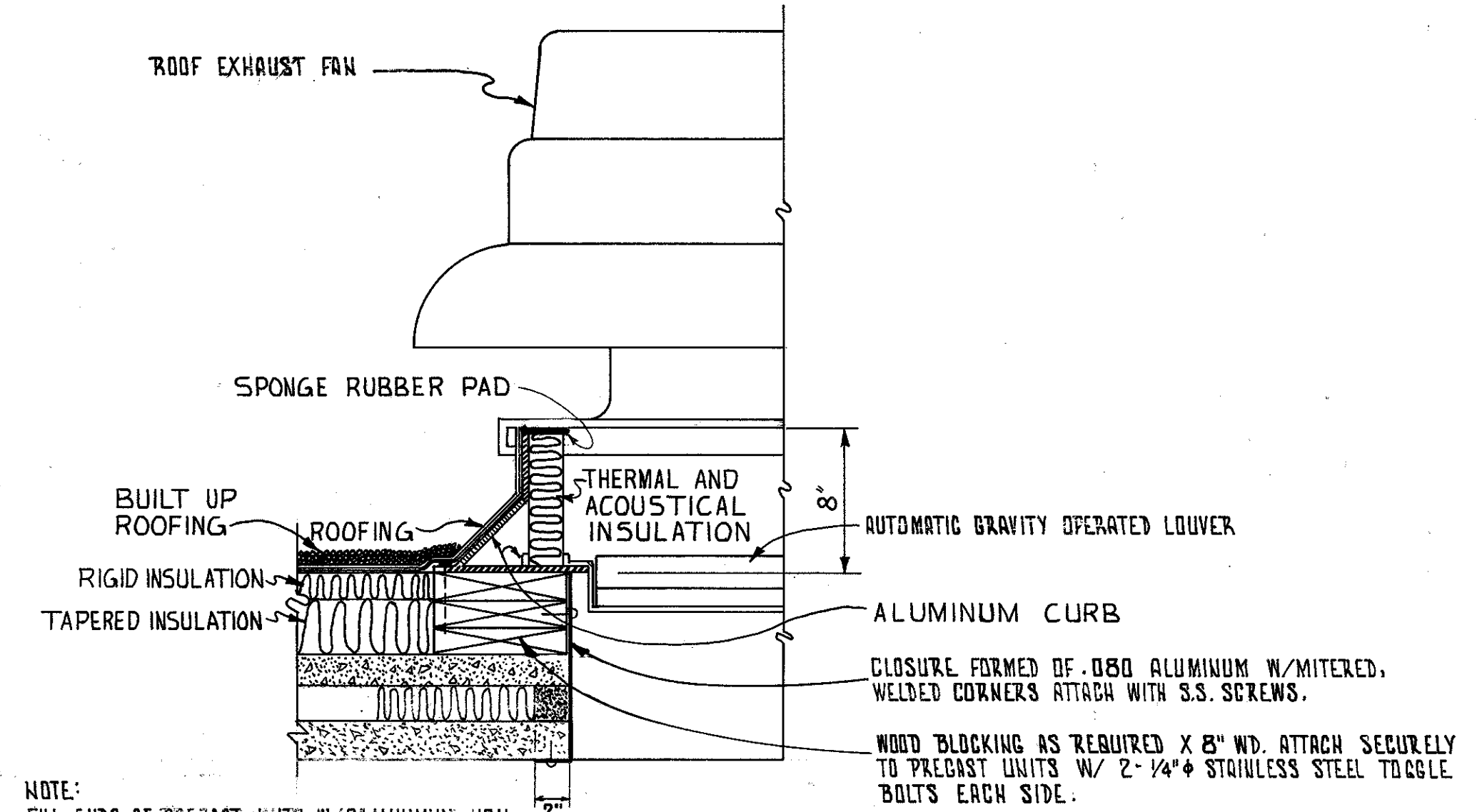


NO SCALE



BAR SCREEN DETAIL

ALL MATERIAL SHALL BE WELDED ALUMINUM, ALCOA ALLOY 6061-T6, EXCEPT THAT BOLTS, NUTS AND WASHERS SHALL BE STAINLESS STEEL.



ROOF EXHAUST FAN
NO SCALE

NOTE: FILL ENDS OF PRECAST UNITS W/ 2\"/>

FRANKLIN CONSULTANTS INC.					
Consulting Engineers					
COLUMBUS,		OHIO			
PUMP STATION					
MISCELLANEOUS DETAILS					
LAKE COUNTY					
					S.R. 306
DESIGNED	DRAWN	TRACED	CHECKED	REVIEWED	DATE
REH	DLR	DLR		WP	