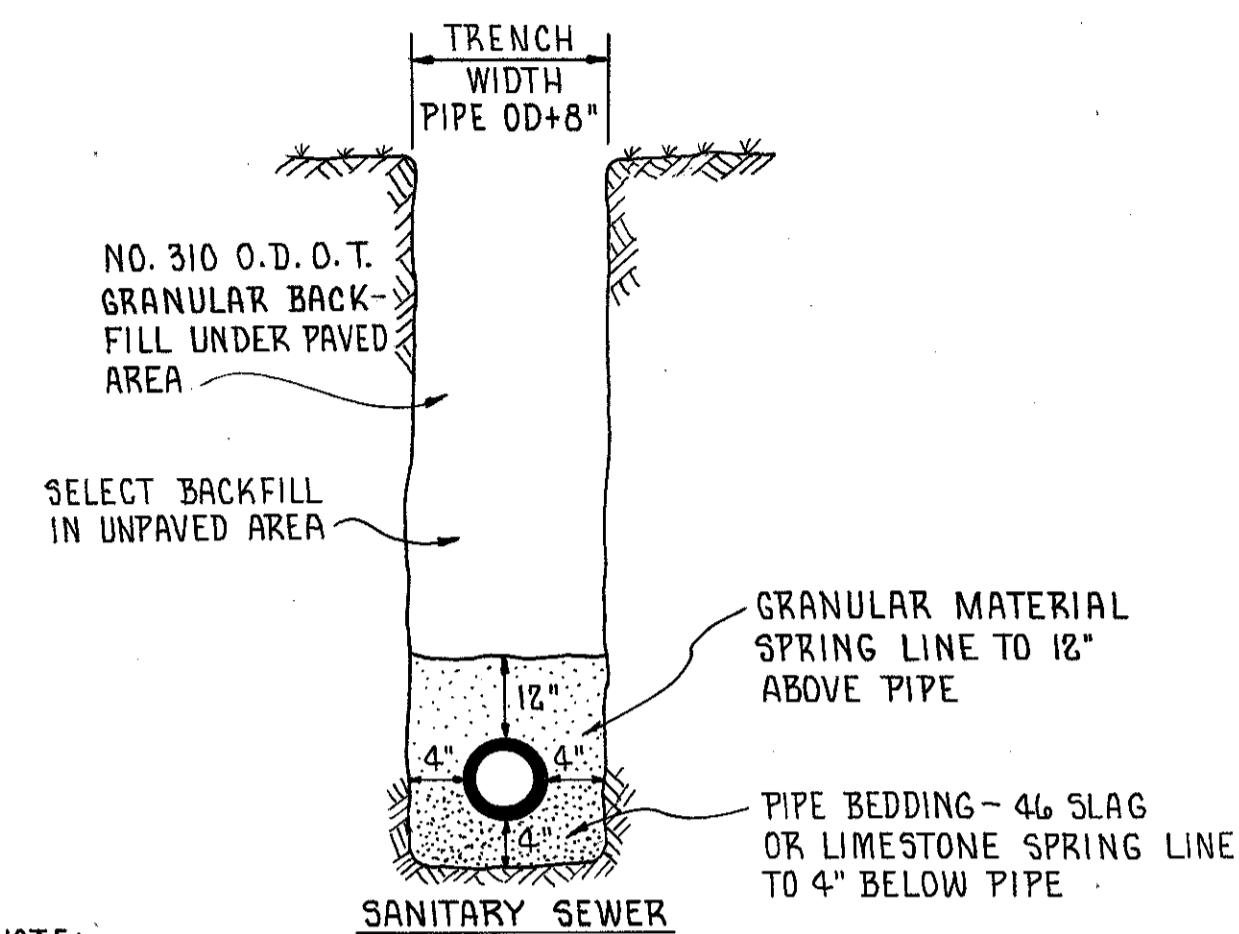


FRWA REGION	STATE	PROJECT
5	OHIO	

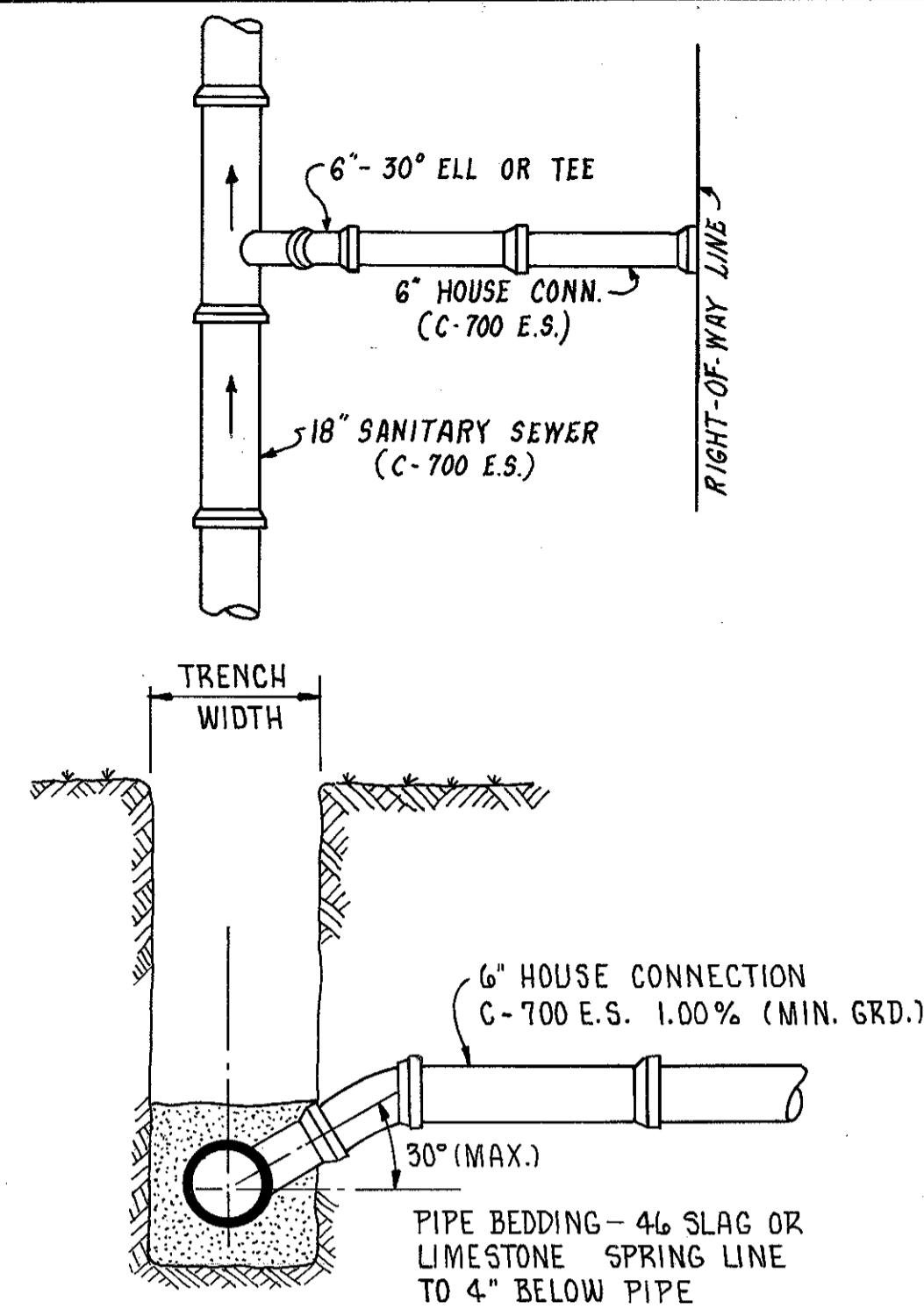
31-A
101

LAKE COUNTY
LAK-306-6.15

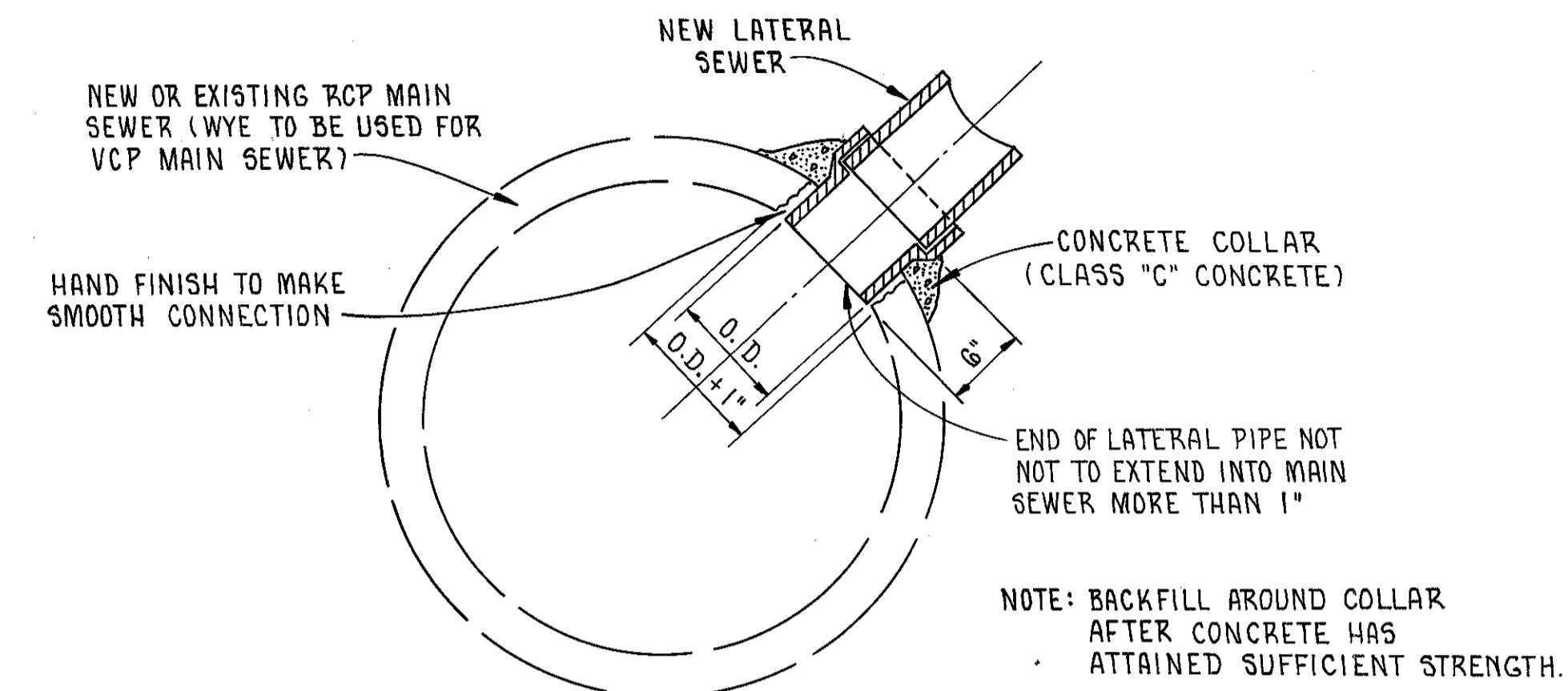


NOTE:
GRANULAR BACKFILL UNDER
PAVEMENT TO BE MECHANICALLY
IN MAX. OF 8" LIFTS

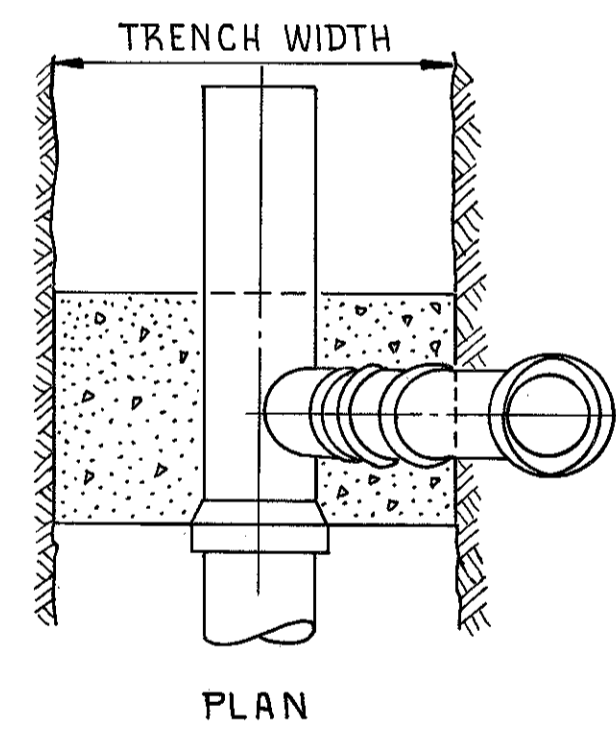
TRENCH DETAIL
NO SCALE



SEWER LATERAL DETAIL
NO SCALE

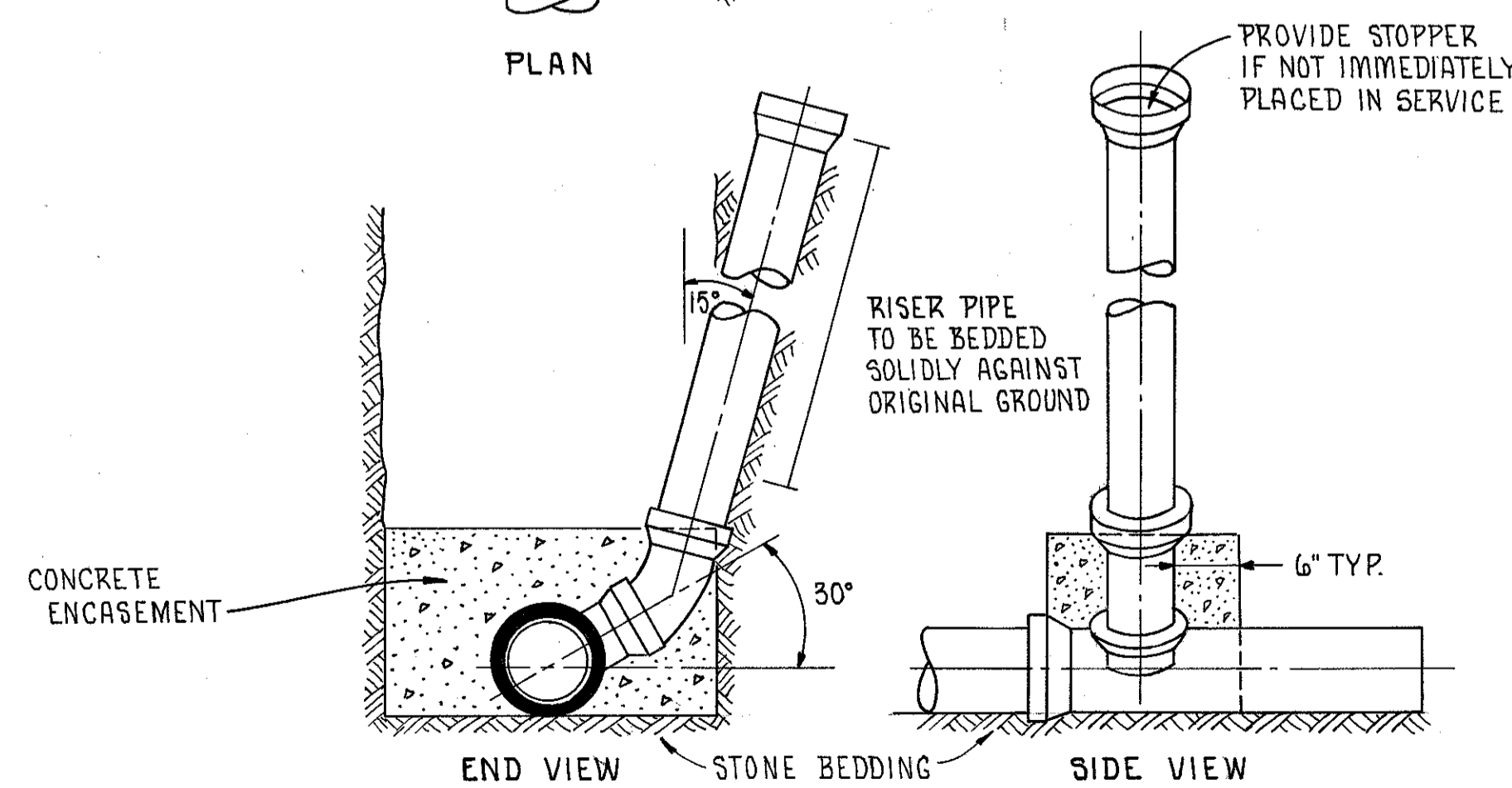


FIELD TEE CONNECTION
NO SCALE

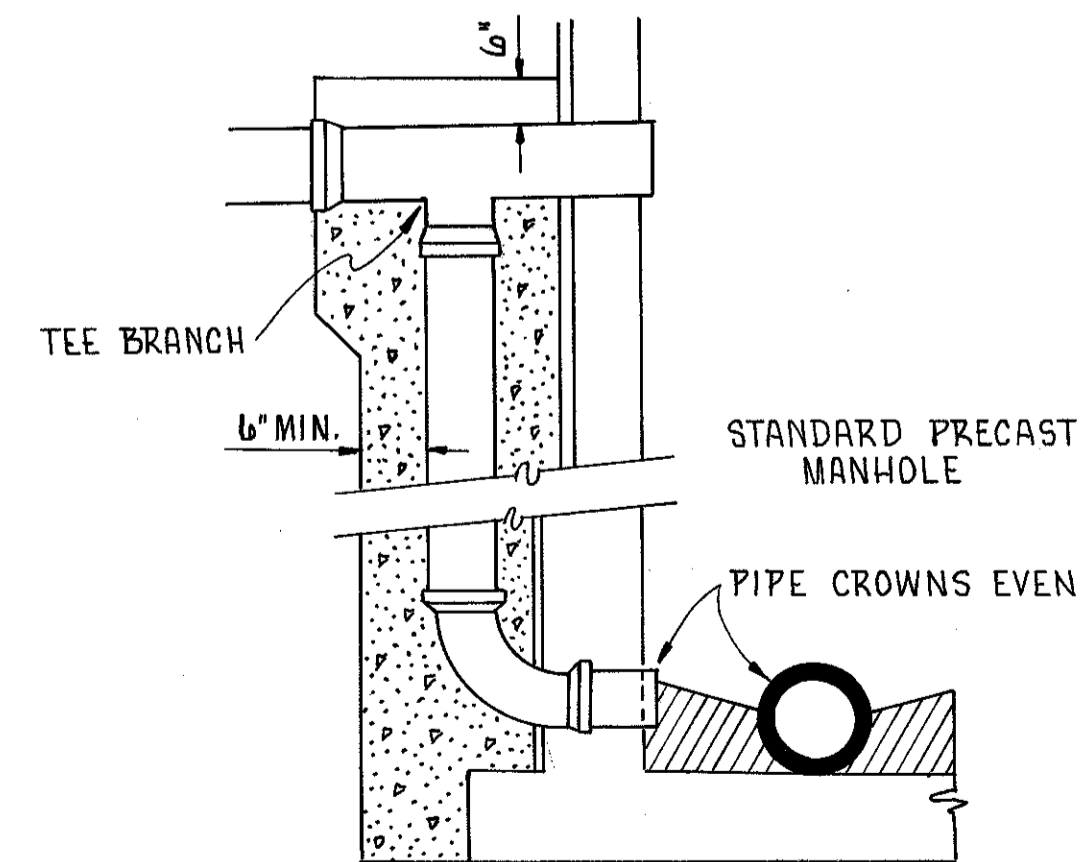


NOTE: TOP OF RISER MAX. 10',
MIN. 9' DEEP.

PLAN



TYPICAL RISER
NO SCALE



DROP CONNECTION
NO SCALE