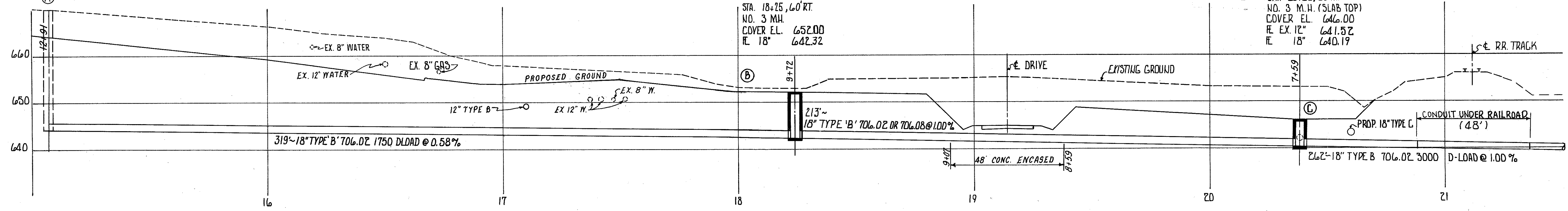


STA. 15+14.8, 13.2' LT.  
 EX. SAN. M.H.  
 COVER EL. 670.07  
 ADJ. COVER EL. 664.36  
 EL. EX. 18" N 644.17

FHWA REGION	STATE	PROJECT
5	OHIO	

31  
101

LAKE COUNTY  
 LAK-306-6.15



STA. 18+25, 60' RT.  
 NO. 3 M.H.  
 COVER EL. 652.00  
 EL. 18" 642.32

STA. 20+38, 60' RT.  
 NO. 3 M.H. (SLAB TOP)  
 COVER EL. 646.00  
 EL. EX. 12" 641.52  
 EL. 18" 640.19

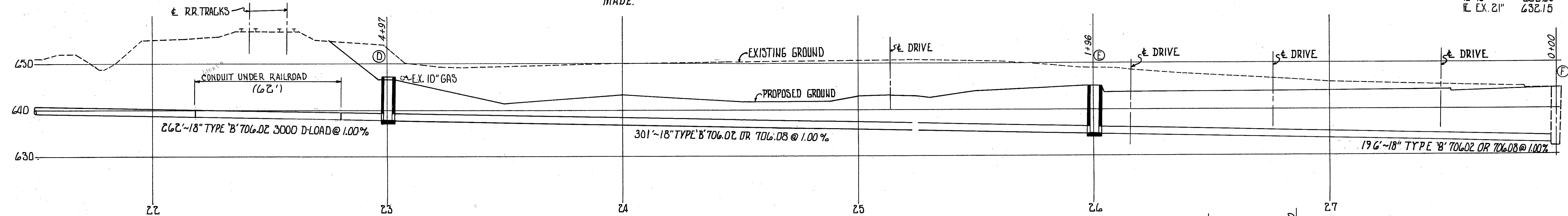
STA. 23+00, 60' RT.  
 NO. 3 M.H.  
 COVER EL. 645.00  
 EL. 18" 637.57

NOTE: ALL CONDUITS HAVE 706.11 OR 706.12 JOINTS

NOTE: ALL EXISTING SANITARY SERVICE LOCATIONS ARE APPROXIMATE AND SHOULD BE FIELD LOCATED BEFORE NEW CONNECTIONS ARE MADE.

STA. 26+00, 37' RT.  
 NO. 3 M.H.  
 COVER EL. 644.80  
 EL. 18" 634.56  
 EL. 15" 634.81

STA. 27+95.3, 22.1' RT.  
 EX. SAN. M.H.  
 COVER EL. 644.13  
 EL. 18" 632.60  
 EL. EX. 21" 632.15



NOTE: ALL EXISTING SANITARY SEWERS MUST BE KEPT IN SERVICE AT ALL TIMES UNTIL THE PROPOSED SEWER IS COMPLETED.

STA. 19+59, 60' LT.  
 NO. 3 M.H.  
 COVER EL. 653.00  
 EL. EX. 15" 642.60  
 EL. 15" 642.18

STA. 23+00, 60' LT.  
 NO. 3 M.H. (SLAB TOP)  
 COVER EL. 645.00  
 EL. 15" 638.77

STA. 26+00, 60' LT.  
 NO. 3 M.H.  
 COVER EL. 645.20  
 EL. 15" 635.77

