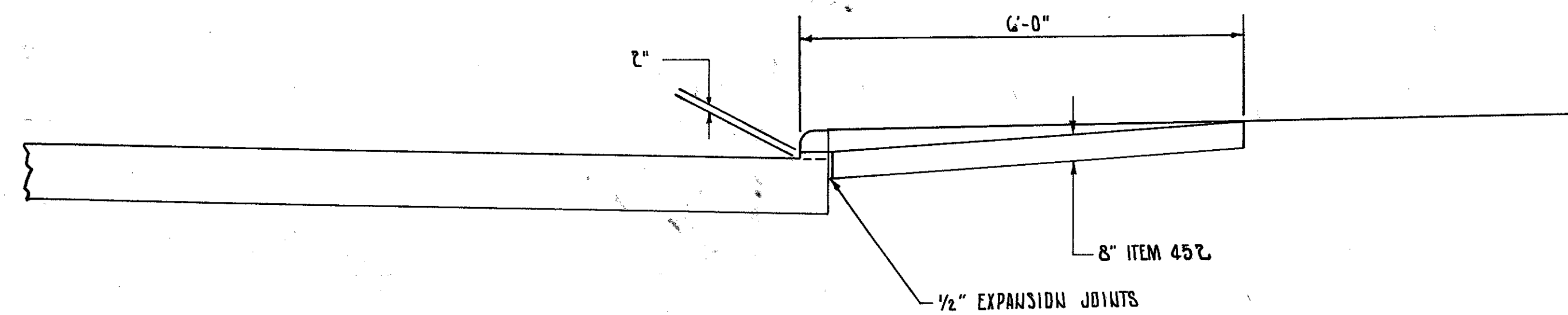
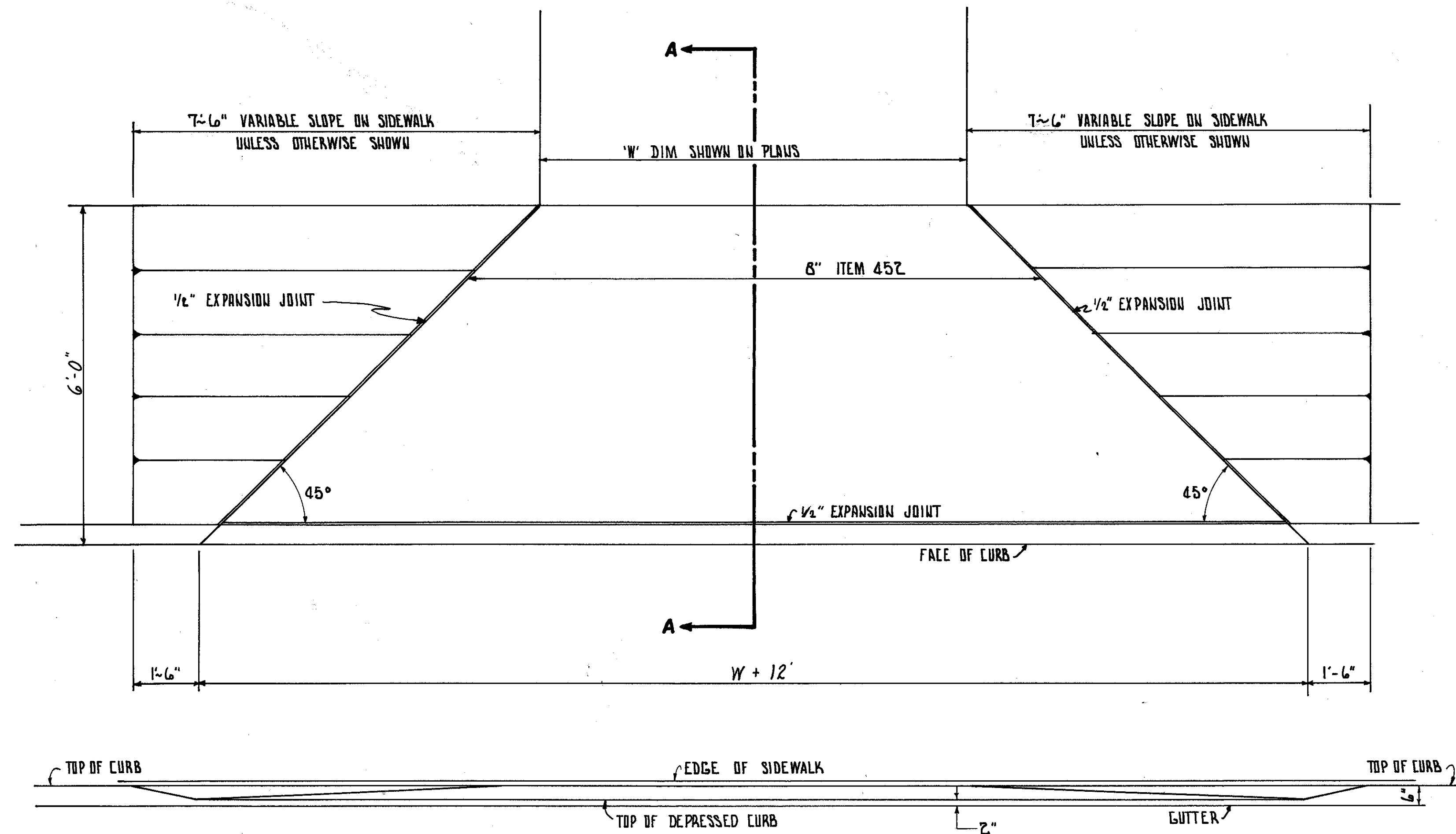


DRIVEWAY APPROACH DETAILS

FHWA REGION	STATE	PROJECT	
5	OHIO		

16
101

LAKE COUNTY
LAK-306-6.15



SECTION A-A

- NOTES:
1. COST OF EXPANSION JOINT MATERIAL SHALL BE INCLUDED IN ITEM 452, PLAIN PORTLAND CEMENT CONCRETE PAVEMENT.
 2. MAXIMUM GRADE ON DRIVE APPROACH = $+10\%$.
 3. FOR NOTES AND DETAILS NOT SHOWN SEE STD. DWG. BP-6.

FRANKLIN CONSULTANTS INC.						
Consulting Engineers						
COLUMBUS, OHIO						
DESIGNED	DRAWN	TRACED	CHECKED	REVIEWED	DATE	REVISED

BRUNING 44132 30845.1