

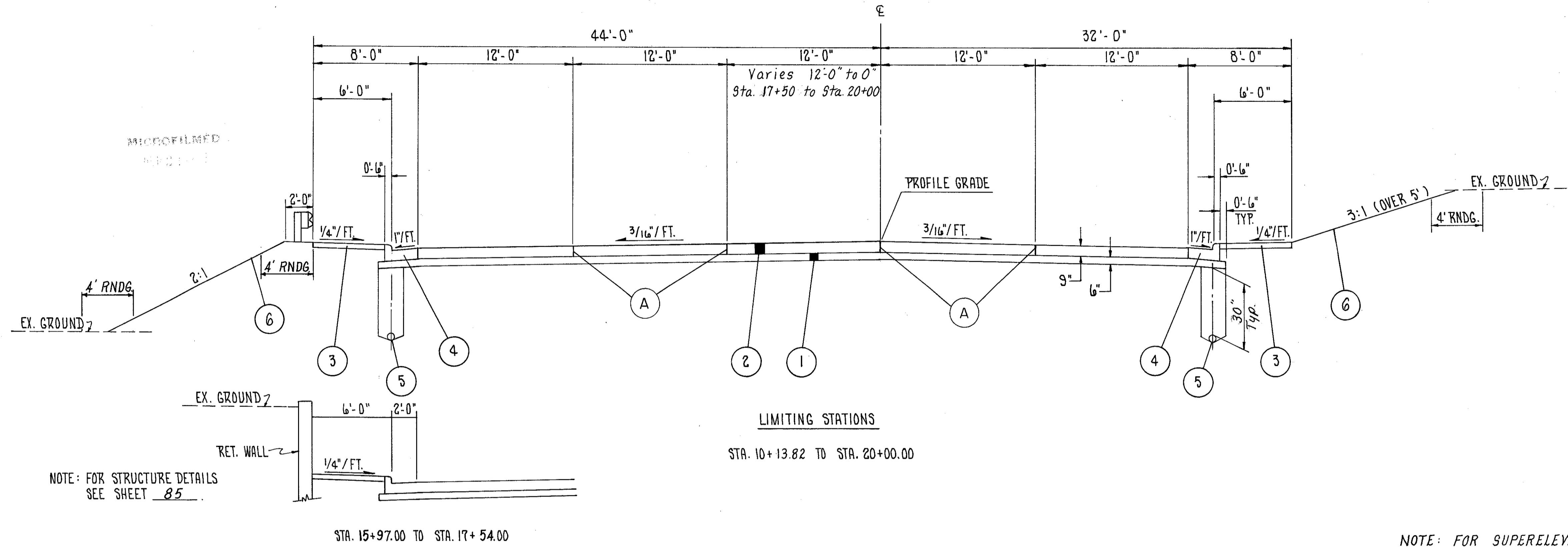
FHWA REGION	STATE	PROJECT
5	OHIO	

3
101

TYPICAL SECTIONS

TYPE 45I

LAKE COUNTY
MENTOR, OHIO
LAK-306-6.15



NOTE: FOR SUPERELEVATION SEE PAVEMENT DETAIL SHEET 29.

LEGEND

- ① ITEM 310 SUBBASE TYPE II
- ② ITEM 451 9" REINFORCED PORTLAND CEMENT CONCRETE PAVEMENT
- ③ ITEM 608 4" CONCRETE WALK
- ④ ITEM 609 CURB & GUTTER TYPE 2
- ⑤ ITEM 605 6" SHALLOW PIPE UNDERDRAIN
- ⑥ ITEM 659 SEEDING & MULCHING
- A STANDARD LONGITUDINAL JOINT

