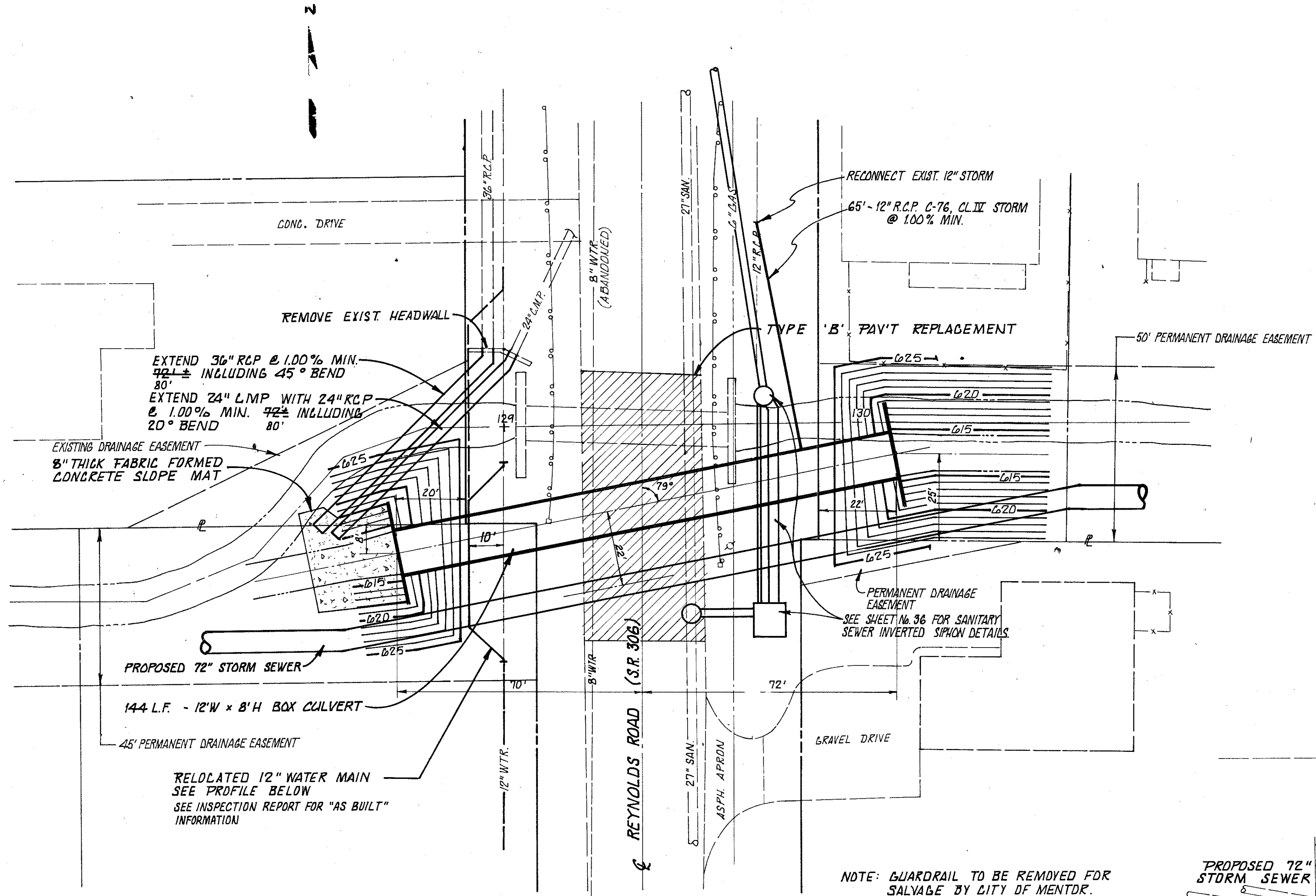
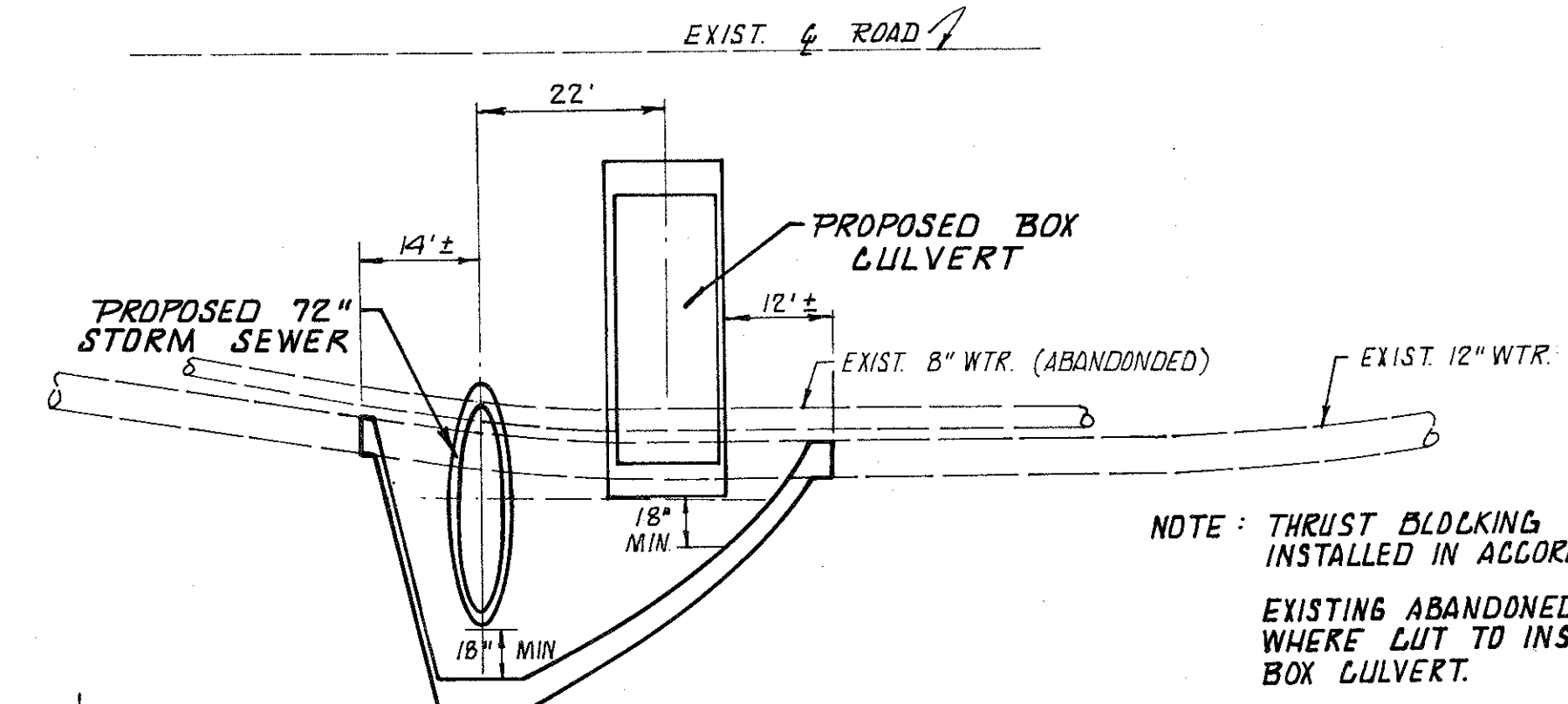


9-11

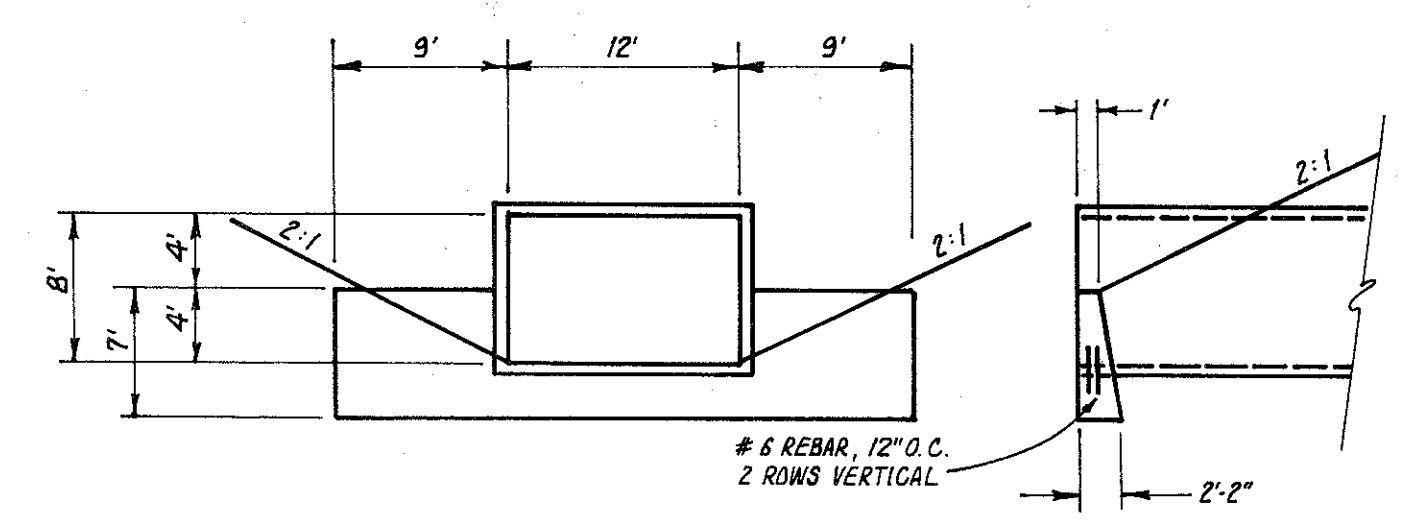


FOR CULVERT NOTES SEE SHEET N° 28

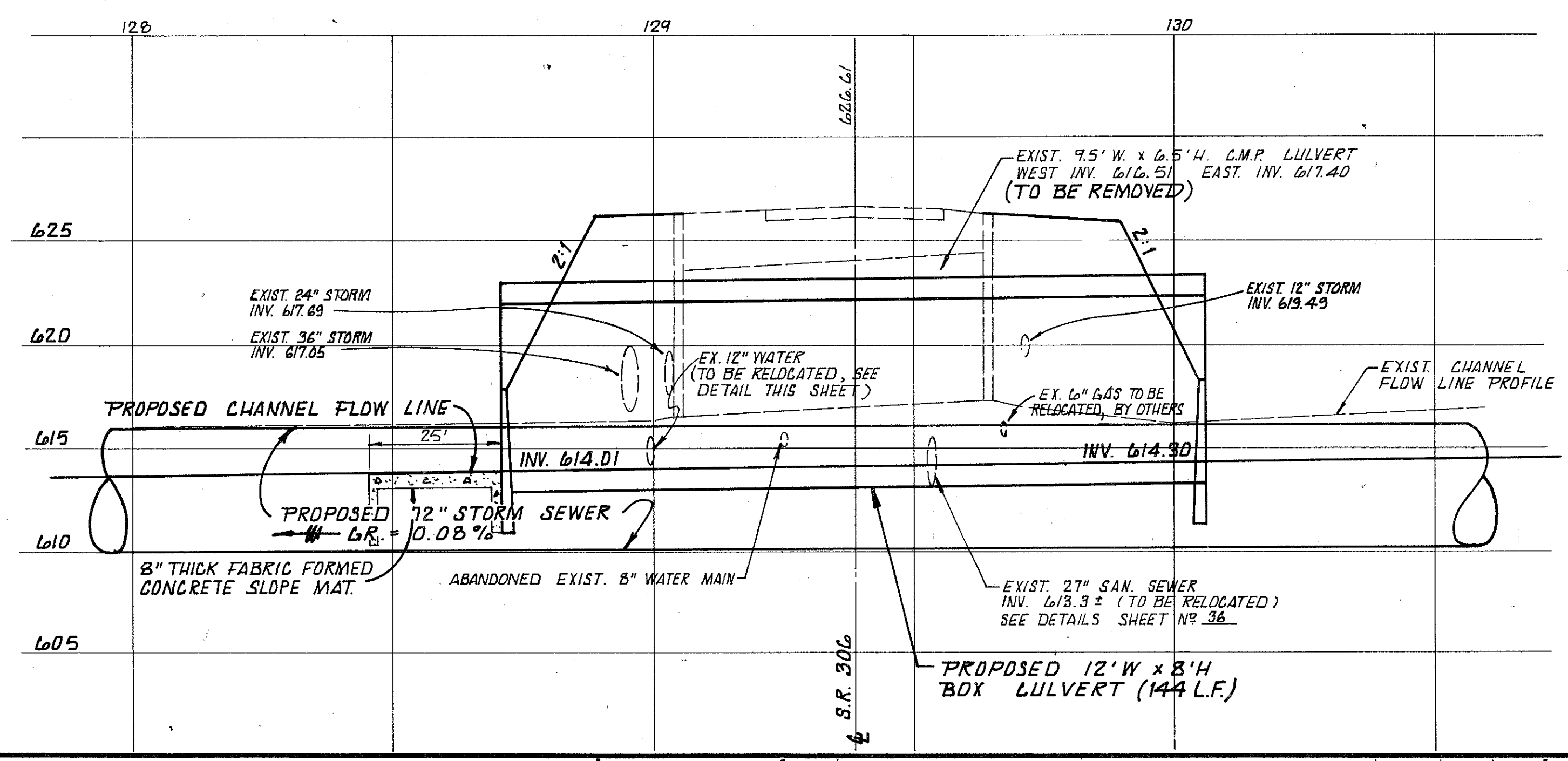


NOTE: THRUST BLOCKING & JOINT RESTRAINTS TO BE INSTALLED IN ACCORDANCE WITH D.W.S. REQUIREMENTS.
EXISTING ABANDONED 8\"/>

RELOCATED 12\"/>



HW-4B HEADWALL MODIFIED AS PER PLAN



NOTE: GUARDRAIL TO BE REMOVED FOR SALVAGE BY CITY OF MENTOR.

000063
ADD ALTERNATE N° 1 SFN 4305957

COLPETZER-THOMAS, INC.
AN ENGINEERING GROUP
WILLOUGHBY • MENTOR • NORTH CANTON • STEUBENVILLE • LORAIN

REV. NO.	DESCRIPTION	DATE	BY	CHK'D.
1.	AS BUILTS - EXTENSION OF WATER MAIN RELOCATION	8-2-88	JAS	
2.	HEADWALL DETAIL - CALL OUT OF # 6 REBAR	8-2-88	JAS	

**HORVITZ POND
DRAINAGE IMPROVEMENT
CITY OF MENTOR
LAKE COUNTY, OHIO**

DATE: OCT, 1987
DRAWN BY:
CHECKED BY:
APPROVED BY:
F.B. No. PG.

CULVERT DETAILS
AT
REYNOLDS ROAD (S.R. 306)
LAK-306-0184, GOODHOLD DITCO

SCALES	
HOR.	1" = 20'
VERT.	1" = 5'
CONTRACT NO.	
87-360	
SHEET NO.	OF
29	