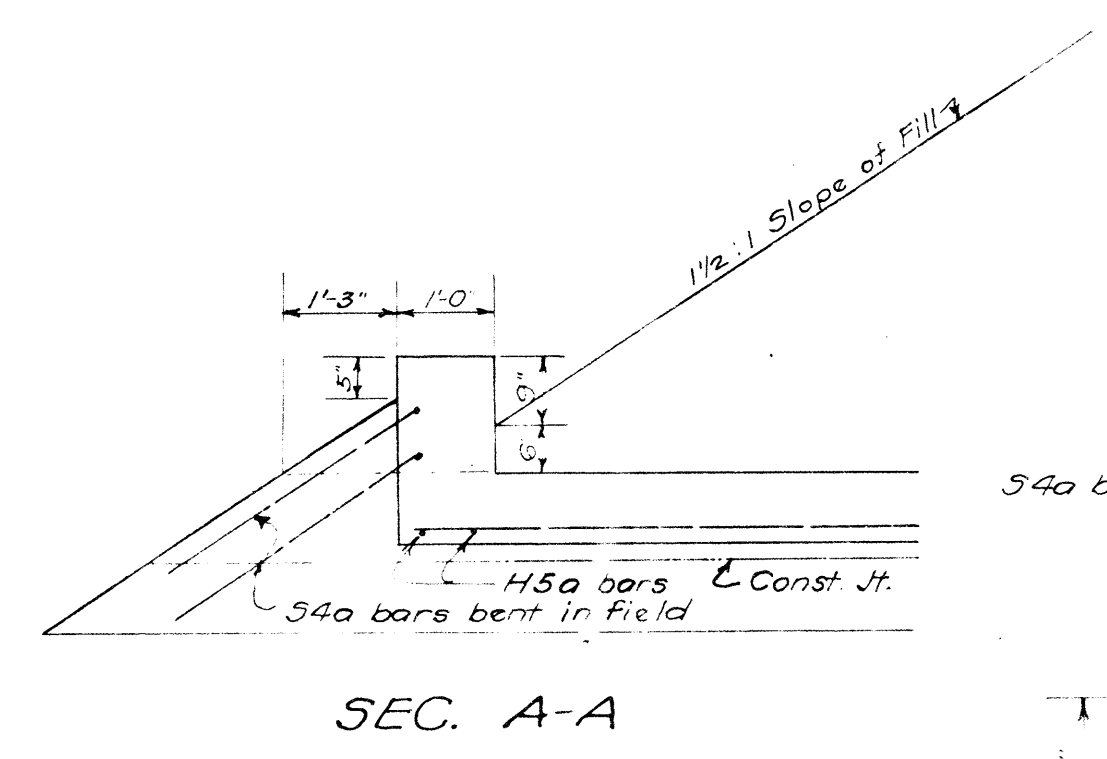
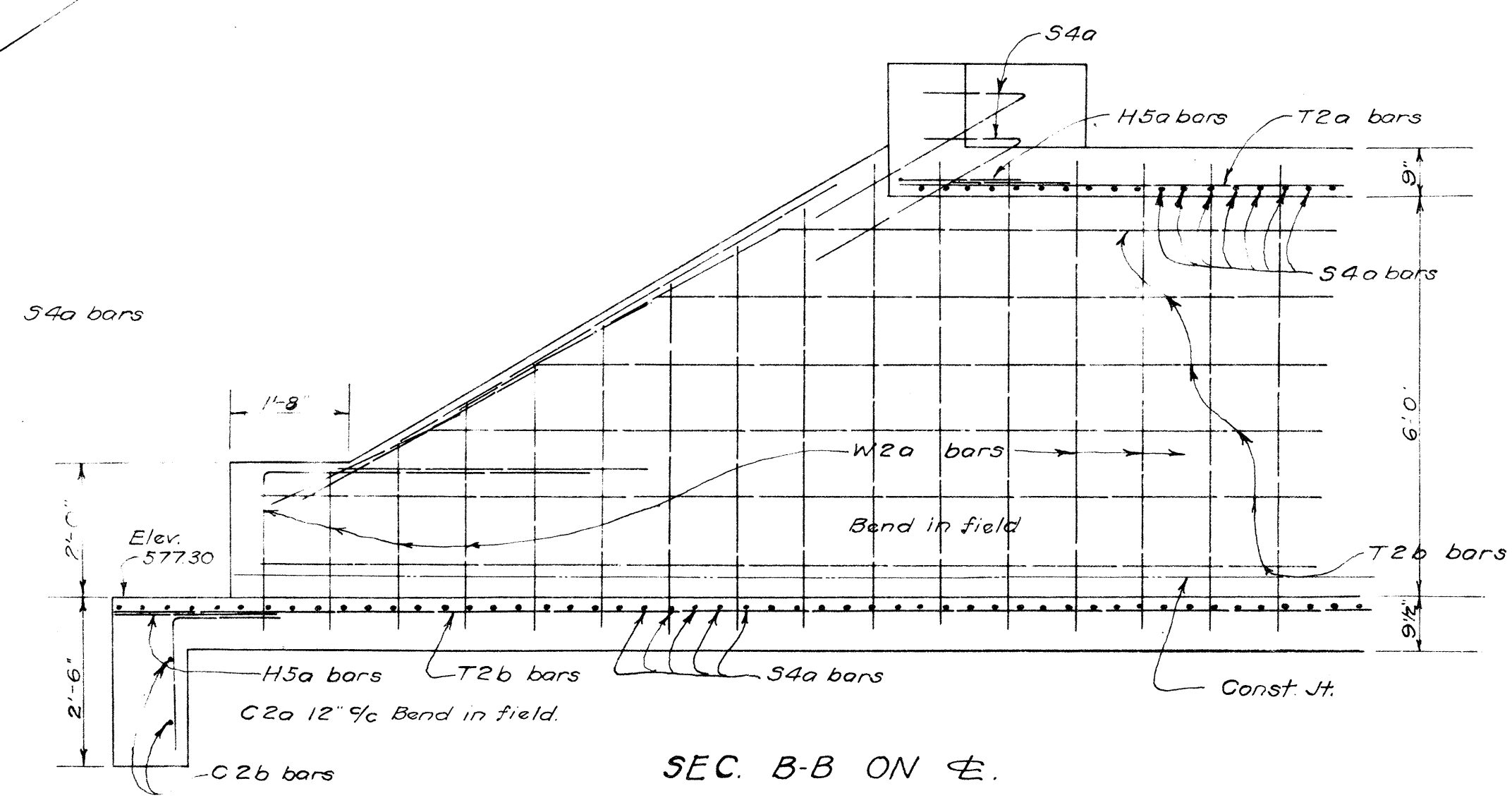


PLAN VIEW AT LEFT END

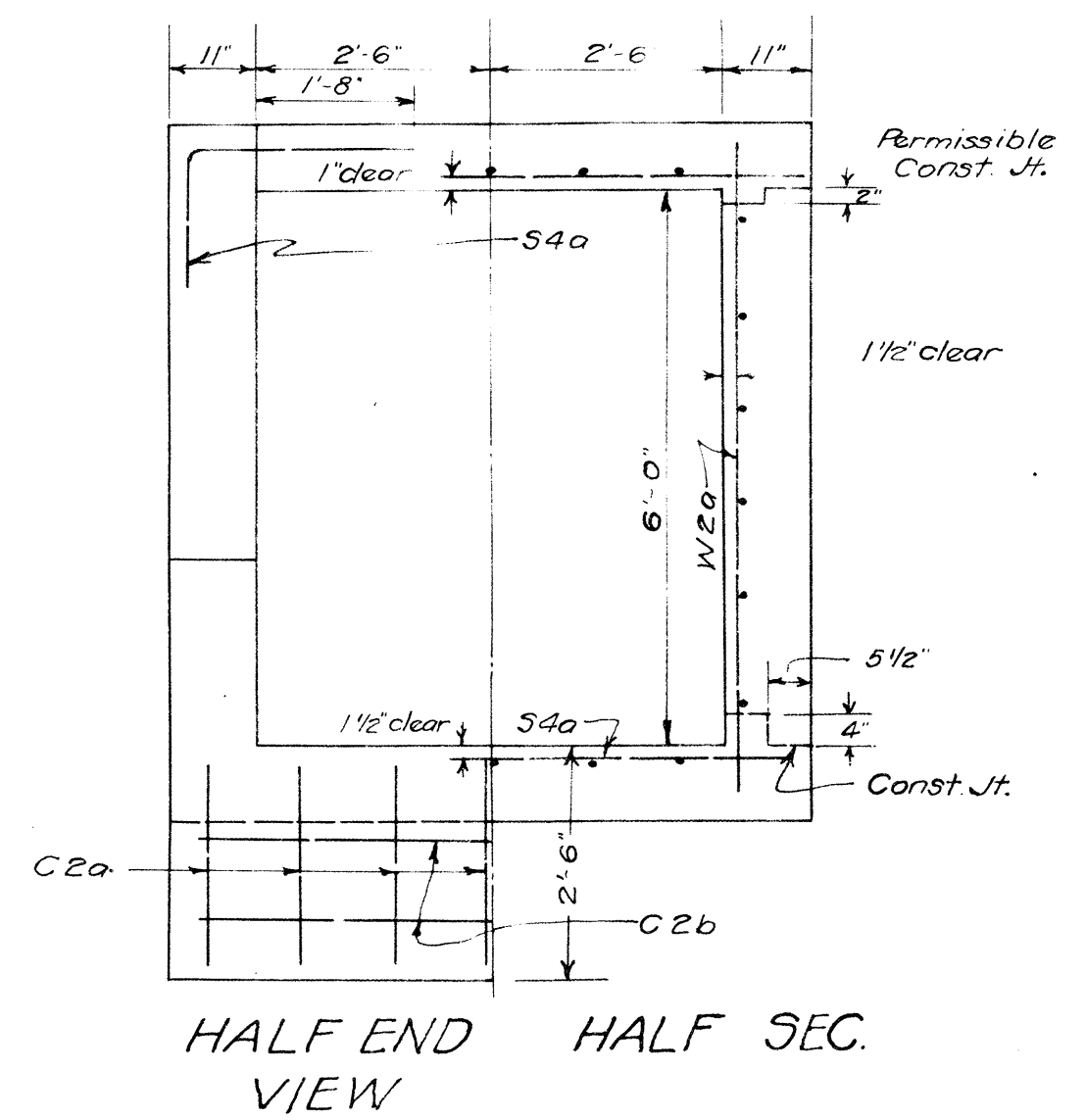
PLAN VIEW RIGHT END



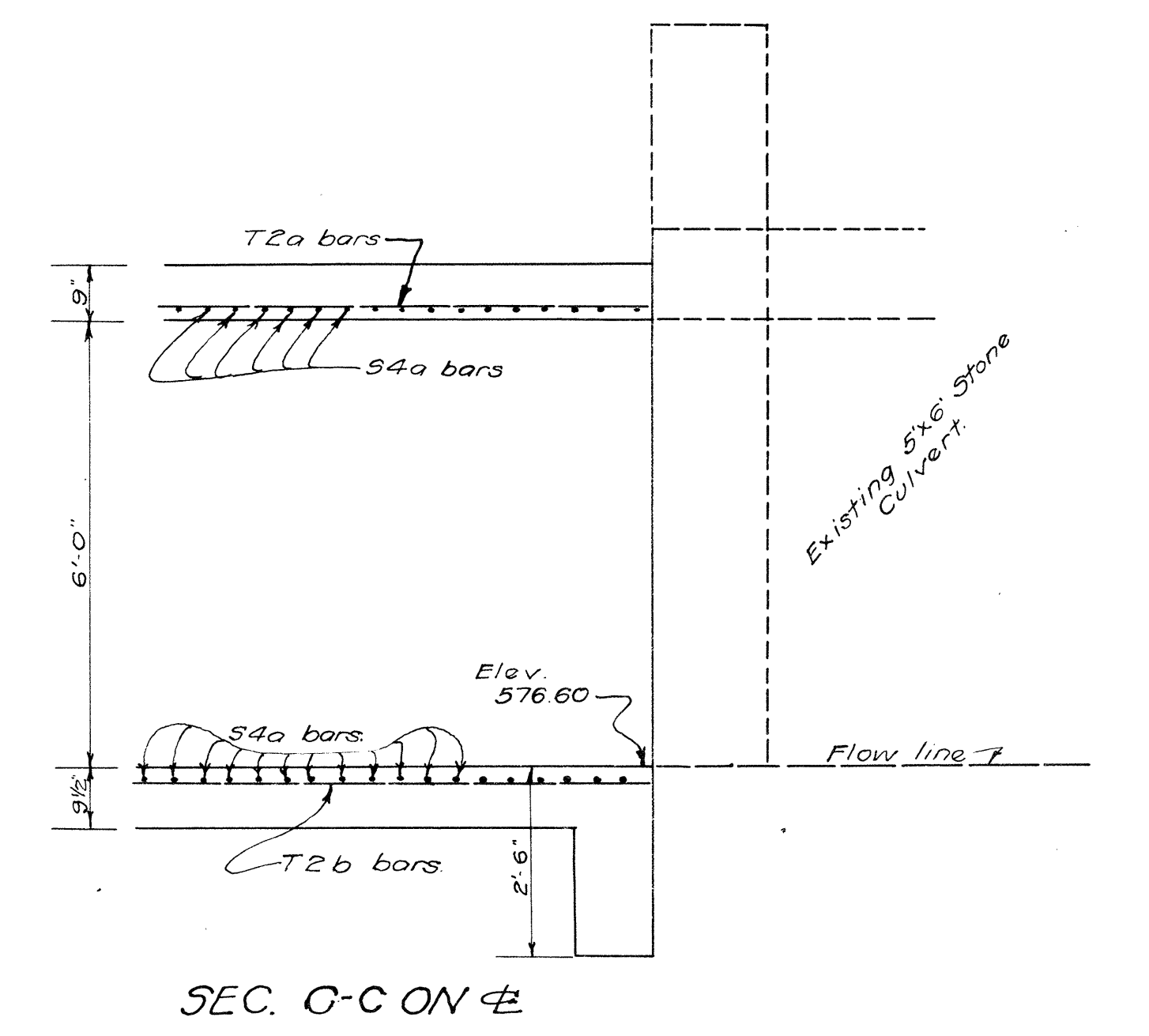
SEC. A-A



SEC. B-B ON C



HALF END HALF SEC. VIEW



SEC. C-C ON C

STEEL		LIST				
Mark	Size	Shape	Spacing	Length	Number	Weight
T2a	1/2" φ	Straight	12" %c	70'-9"	5	241
T2b	1/2" φ	"	12" %c	82'-3"	17	946
W2a	1/2" φ	"	12" %c	8'-0"	144	783
C2a	1/2" φ	"	12" %c	3'-3"	7	16
C2b	1/2" φ	"	12" %c	7'-3"	2	10
S4a	5/8" φ	"	4 1/2" %c	6'-3"	414	2743
H5a	3/4" φ	"	8" %c	7'-3"	4	44
TOTAL						4783

CULVERT AT STA. 7+35
 ESTIMATED QUANTITIES
 80 Cu. Yds. excavation
 64 Cu. Yds. 1:5 1/2 Concrete
 4783 Lbs. Reinforcing Steel
 328 Cu. Yds. channel excav. on L. See Sheet Noll

Scale 1"=2'