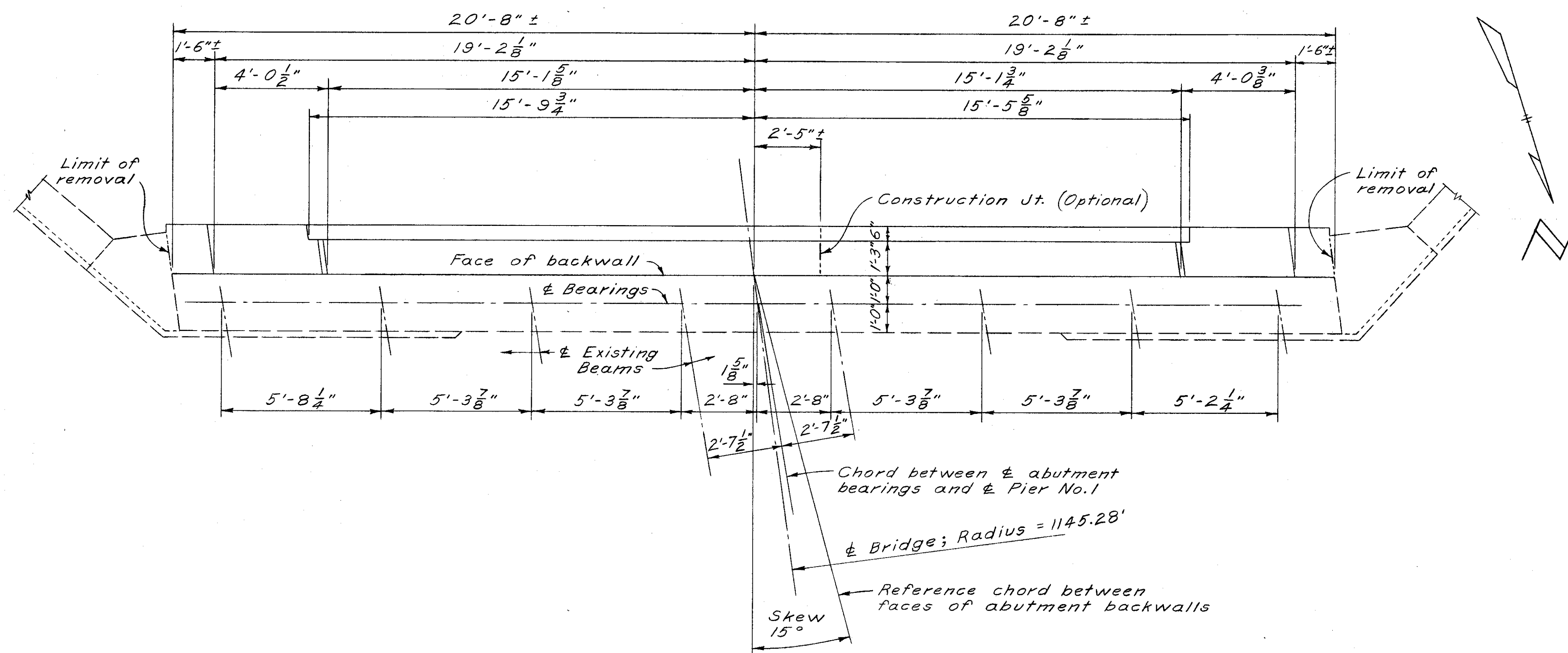
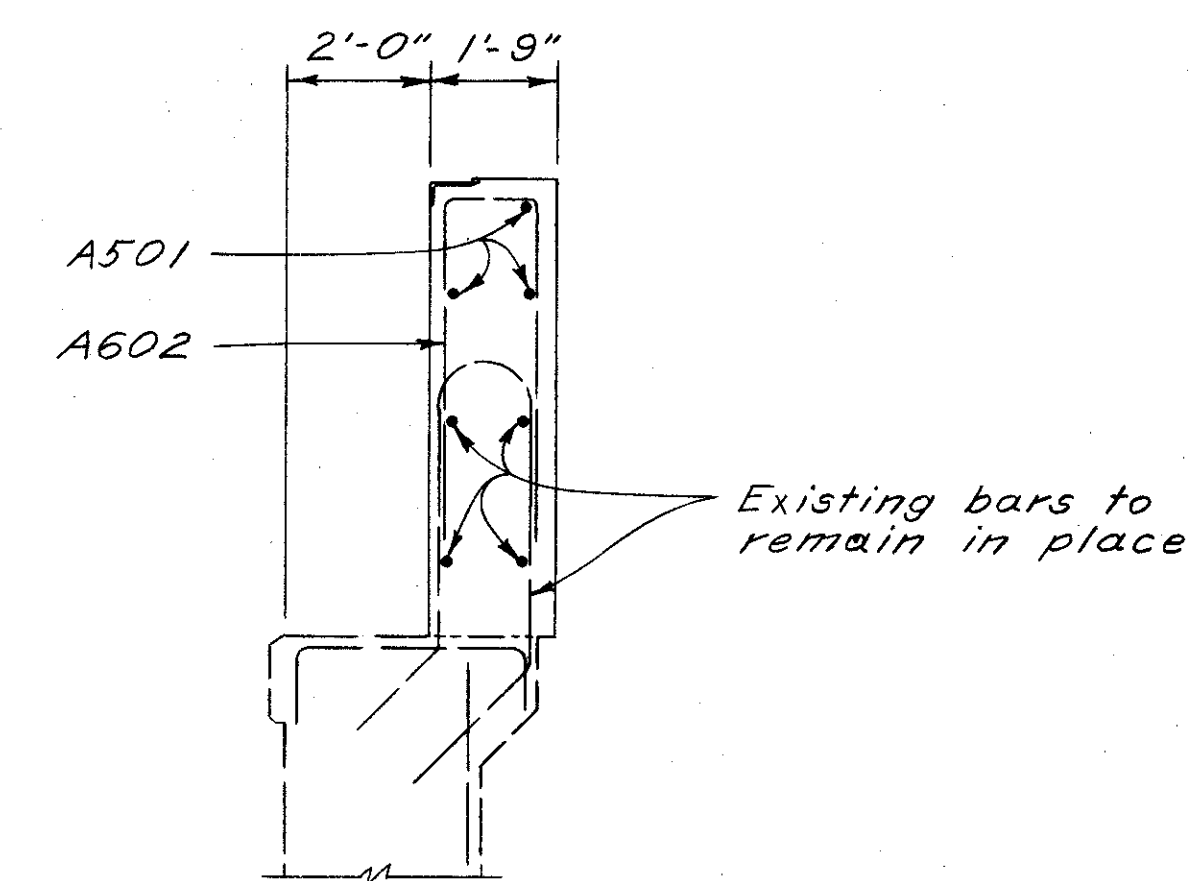


FED. RD. DIVISION	STATE	PROJECT	
2	OHIO		9 15

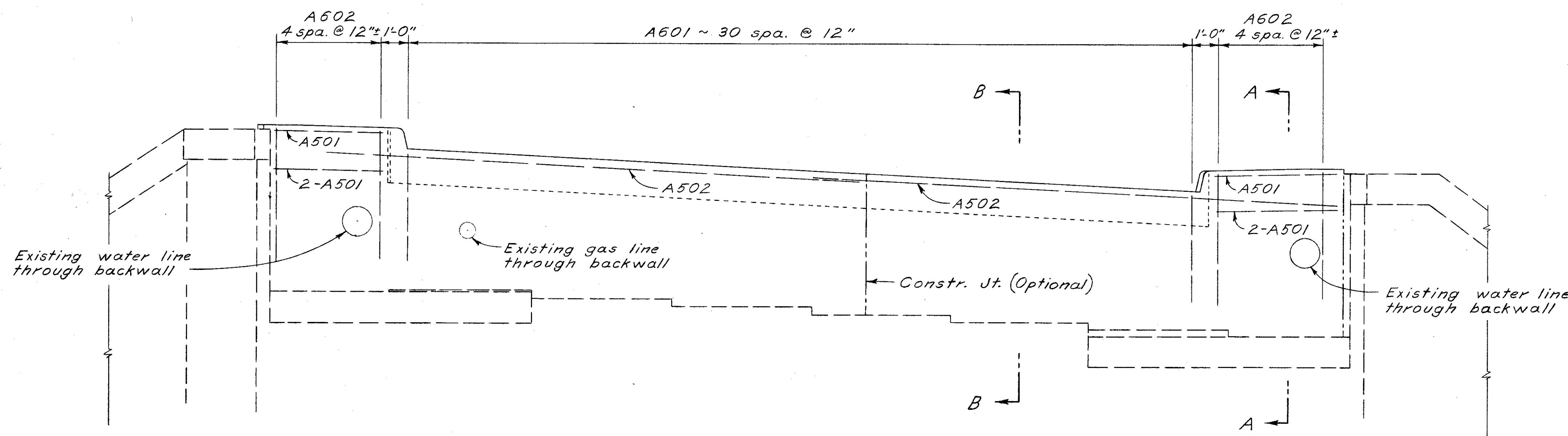
LAKE COUNTY  
LAK-283-470



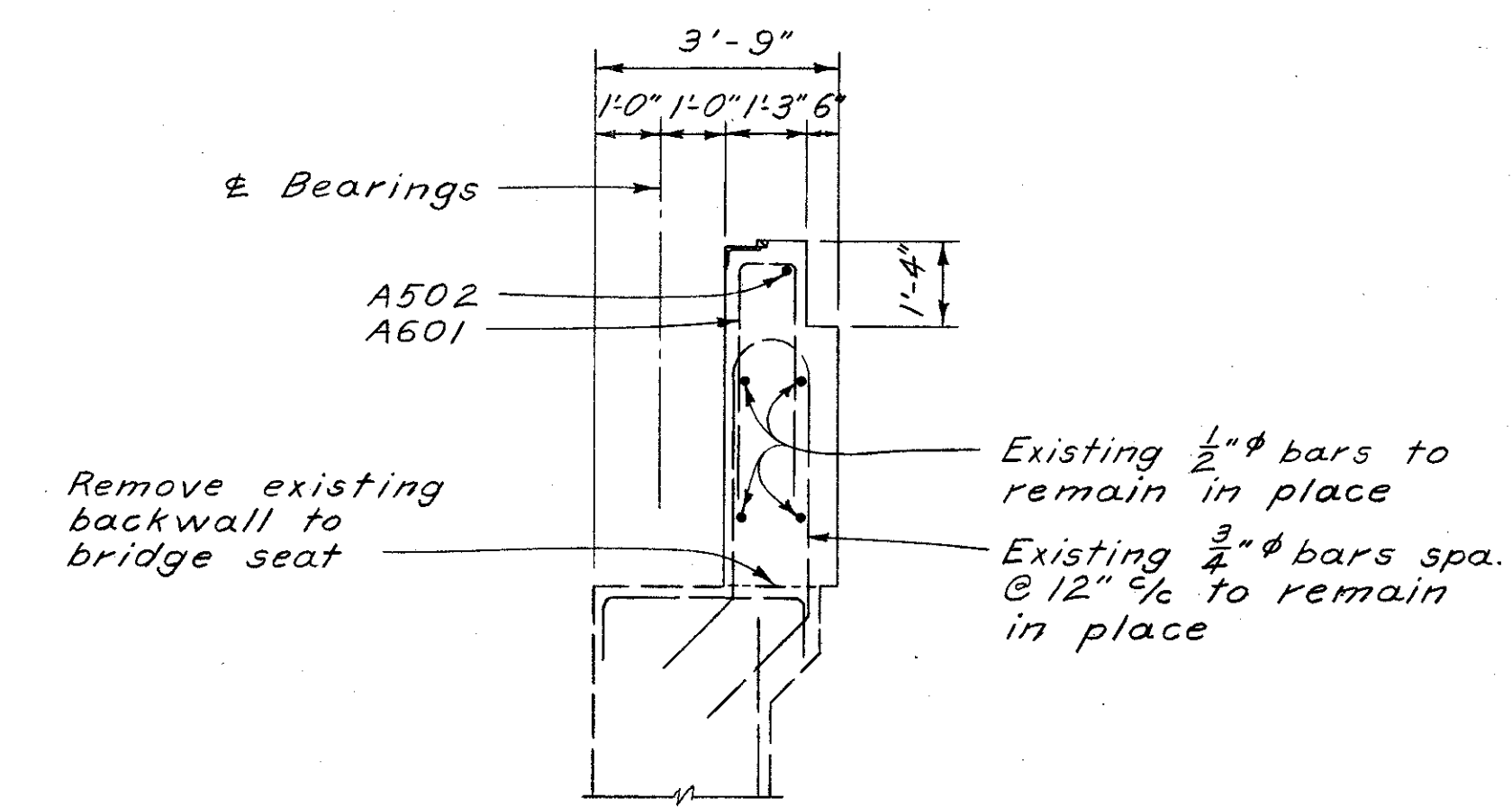
PART PLAN



SECTION A-A



PART ELEVATION



SECTION B-B

STATE OF OHIO DEPARTMENT OF HIGHWAYS DIVISION OF DESIGN AND CONSTRUCTION BUREAU OF BRIDGES						3/9
SOUTH ABUTMENT DETAILS						
BRIDGE No. LAK-283-0472 OVER CHAGRIN RIVER						
DESIGNED	DRAWN	TRACED	CHECKED	REVIEWED	DATE	REVISED
FFE	FFE		WCK	BFG	7-22-70	