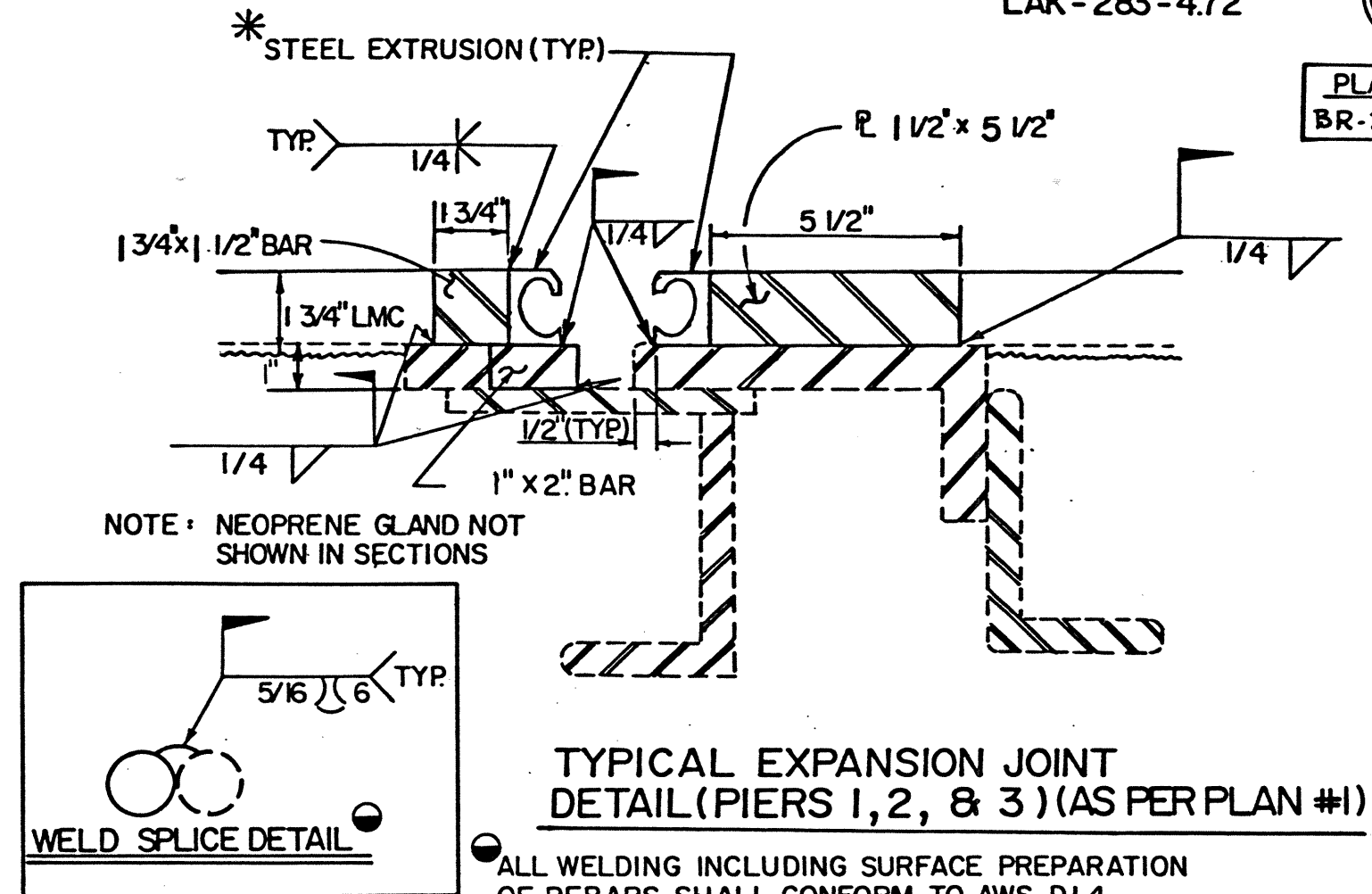
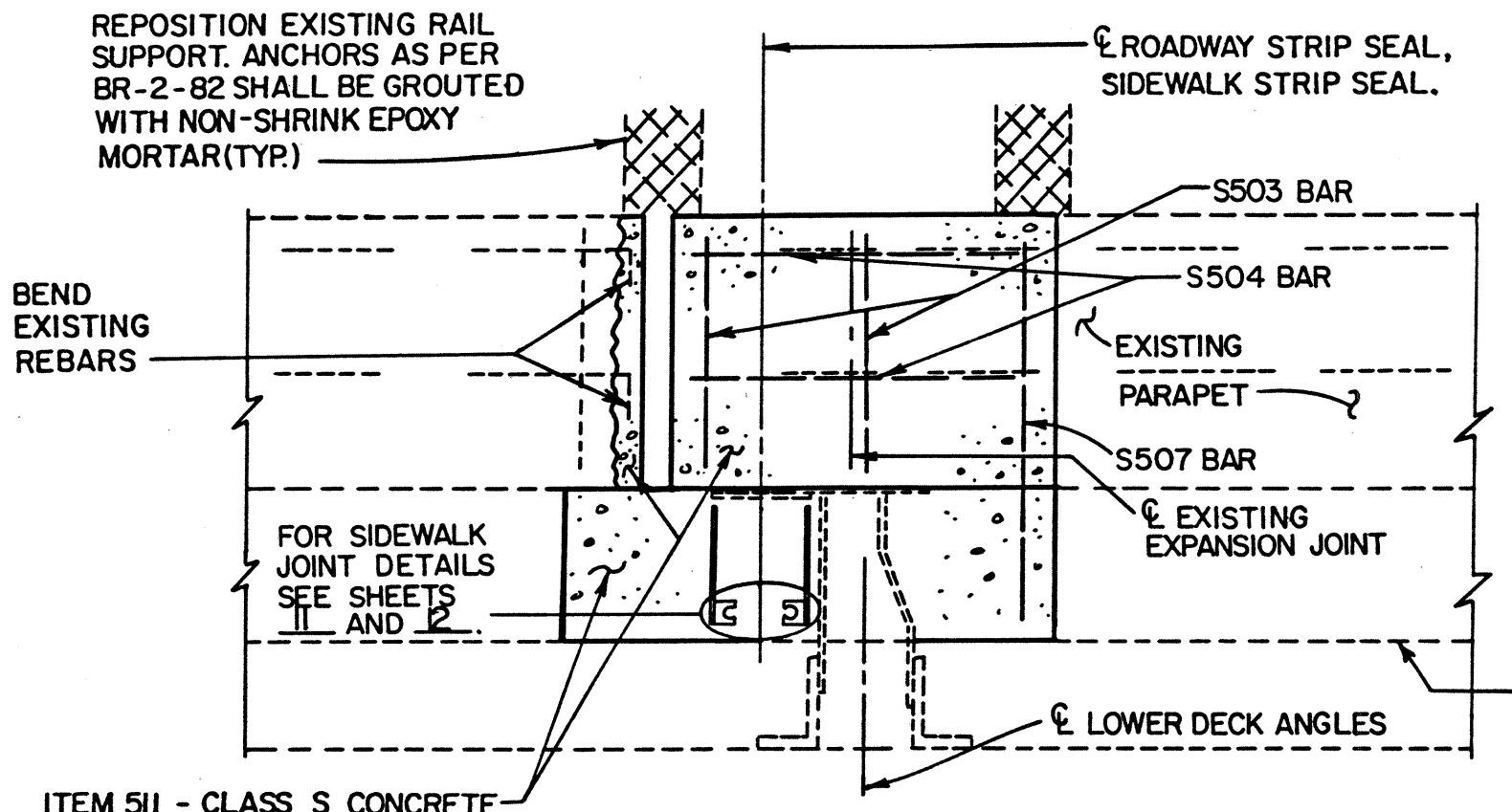


JOINT PLAN VIEW

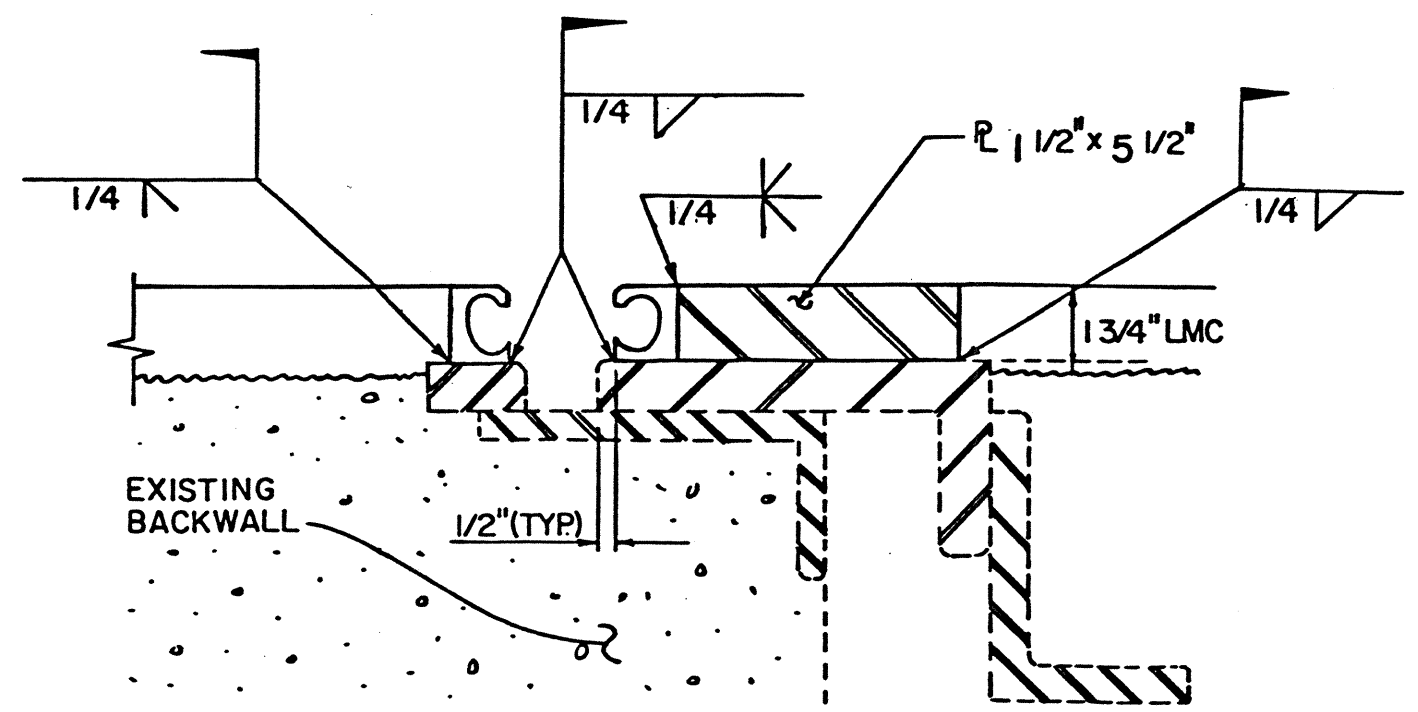


**TYPICAL EXPANSION JOINT
DETAIL (PIERS 1, 2, & 3) (AS PER PLAN #1)**

● ALL WELDING INCLUDING SURFACE PREPARATION
OF REBARS SHALL CONFORM TO AWS D1.4



SECTION A-A



**SOUTH ABUTMENT
EXPANSION JOINT (AS PER PLAN #2)**