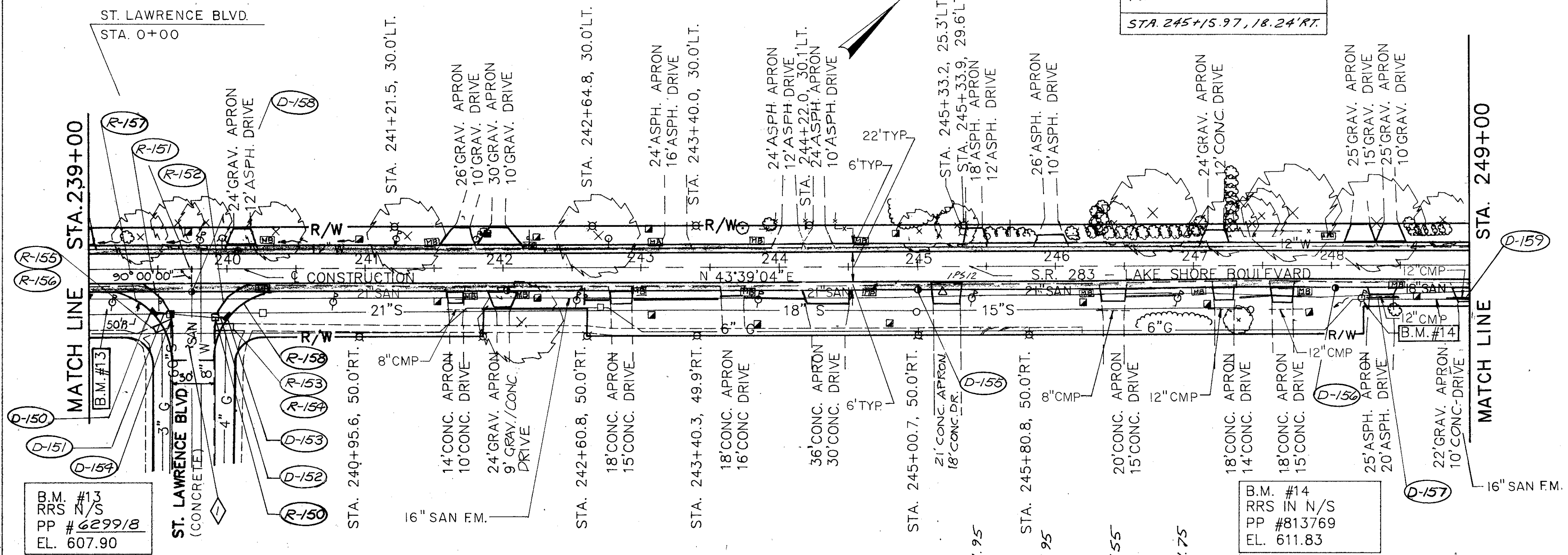
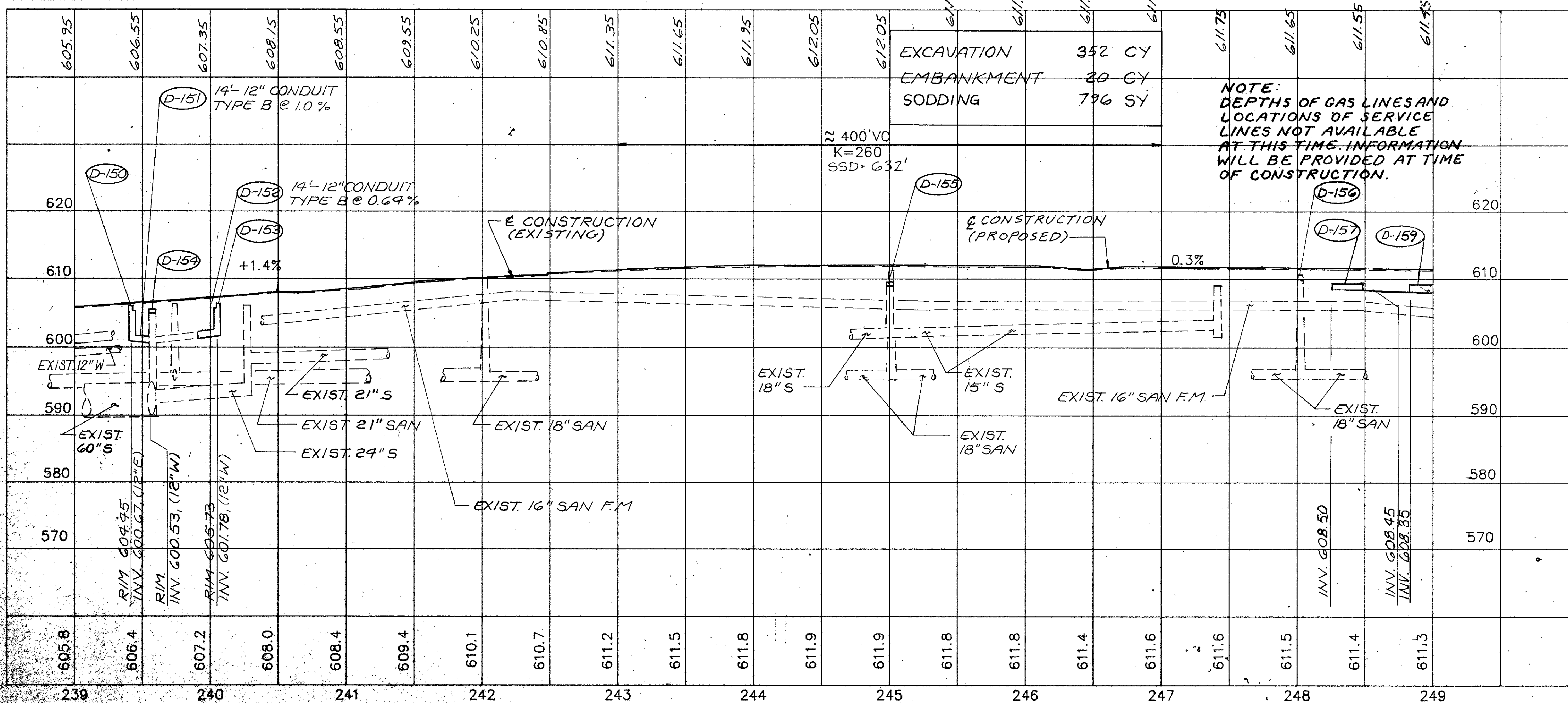


ST. LAWRENCE BLVD. INTERSECTION PAVEMENT IMPROVEMENTS  
 SEE DETAIL SHT. 18



B.M. #13  
 RRS IN N/S  
 PP #629918  
 EL. 607.90

B.M. #14  
 RRS IN N/S  
 PP #813769  
 EL. 611.83



**NOTE:**  
 DEPTHS OF GAS LINES AND  
 LOCATIONS OF SERVICE  
 LINES NOT AVAILABLE  
 AT THIS TIME. INFORMATION  
 WILL BE PROVIDED AT TIME  
 OF CONSTRUCTION.

REF	LOCATION	ROADWAY				
		INLET REMOVED EACH	CURB REMOVED LIN. FT.	WALK REMOVED SQ. FT.	4" CONCRETE WALK SQ. FT.	CURB TYPE G AS PER PLAN LIM. FT.
R-150	STA. 239+59, 33' RT.	1				
R-151	STA. 239+45 RT. TO 0+67*RT.		57			
R-152	STA. 0+67*LT. TO 240+10 RT.		62			
R-153	STA. 239+90 TO 240+02			60		
R-154	STA. 239+96 TO 240+02				30	
R-155	STA. 239+48 TO 239+58			50		
R-156	STA. 239+48 TO 239+53				25	
R-157	STA. 239+11 RT. TO 0+67*RT.					79
R-158	STA. 0+67*LT. TO 240+41 RT.					79
<b>TOTALS</b>		<b>1</b>	<b>119</b>	<b>110</b>	<b>55</b>	<b>158</b>

\*STATIONING FROM INTERSECTION OF ST. LAWRENCE BLVD.

REF	LOCATION	DRAINAGE					
		INLET MISC. MODIFIED AS PER PLAN EACH	CATCH BASIN NO. 3A W/ V GRATE EACH	MANHOLE ADJUSTED TO GRADE EACH	CATCH BASIN ADJUSTED TO GRADE EACH	12" CONDUIT TYPE B, 706.02, AS PER PLAN LIN. FT.	12" CONDUIT TYPE D, 706.02 LIN. FT.
D-150	STA. 239+45, 32' RT.		1				
D-151	STA. 239+45 TO 239+59, RT.					14	
D-152	STA. 239+88 TO 240+02					14	
D-153	STA. 240+03, 35' RT.		1				
D-154	STA. 239+59	1					
D-155	STA. 245+00, 17' RT.					1	
D-156	STA. 248+03, 17' RT.					1	
D-157	STA. 248+25 TO 248+49, 21' RT.						29
D-158	STA. 239+75, LT.			1			
D-159	STA. 248+85 TO 248+00, 21' RT.						15
<b>TOTALS</b>		<b>1</b>	<b>2</b>	<b>1</b>	<b>2</b>	<b>28</b>	<b>39</b>