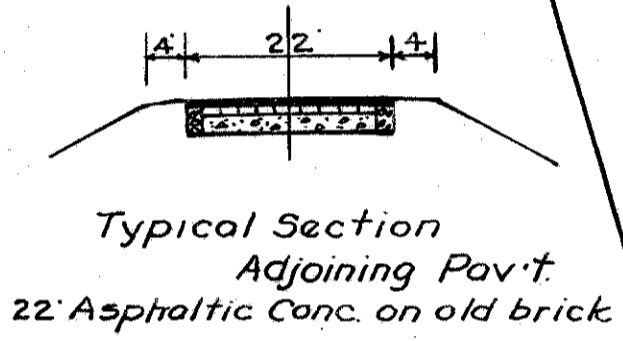


BEGIN. OF PROJECT
 STATION 43+30.96

WILLOWICK VILLAGE
 VILLAGE CORPORATION LINE
 BEGIN PROJECT
 WILLOUGHBY TOWNSHIP

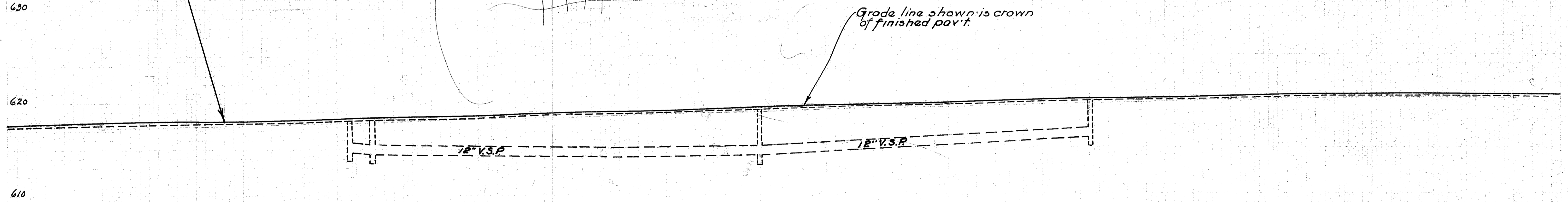


B.M. N° 5 SPIKE IN C.E.I. POLE
 RIGHT OF STA. 43+22 EL. 619.314

B.M. N° 6 TOP E. CAP BOLT FIRE
 HYD. RIGHT OF STA. 48+12 EL. 620.359

B.M. N° 7 SPIKE IN C.E.I. POLE
 LEFT OF STA. 56+64 EL. 622.023

61754	61764	61774	61784	61796	61799	61791	61807	61820	61832	61858	61851	61874	61888	61896	61914	61926	61937	61947	61969	61971	61983	61996	62010	62021	62028	62039	62061	62064	62077	62070	62077	62073	62083	62060
-------	-------	-------	-------	-------	-------	-------	-------	-------	-------	-------	-------	-------	-------	-------	-------	-------	-------	-------	-------	-------	-------	-------	-------	-------	-------	-------	-------	-------	-------	-------	-------	-------	-------	-------



Grade line shown is crown
 of finished pav't.

EXCAVATION 47 CU.YD
 EMBANKMENT 163 CU.YD
 EMBANKMENT+20% 196 CU.YD.

EXCAVATION 75 CU.YD
 EMBANKMENT 69 CU.YD
 EMBANKMENT+20% 83 CU.YD.

STA. 42+00 TO STA. 57+00