

2-1-1 H-6

STATE OF OHIO  
DEPARTMENT OF HIGHWAYS

FED. RD. DIST. NO.	STATE	PROJECT	FISCAL YEAR
10	OHIO		1941

37

# PAINESVILLE - EUCLID ROAD

S.H. 520 SEC. B(P) & LAKELINE.

LAKE COUNTY

WILLOUGHBY TWP. AND

VILLAGE OF LAKELINE

SR 283  
LAK 210-4.44±

NET LENGTH OF PROJECT = 12,225.09 Lin. Ft = 2.315 Miles

THE STANDARD SPECIFICATIONS OF THE STATE OF OHIO DEPARTMENT OF HIGHWAYS, INCLUDING CHANGES & SUPPLEMENTAL SPECIFICATIONS LISTED IN THE PROPOSAL SHALL GOVERN THIS IMPROVEMENT.

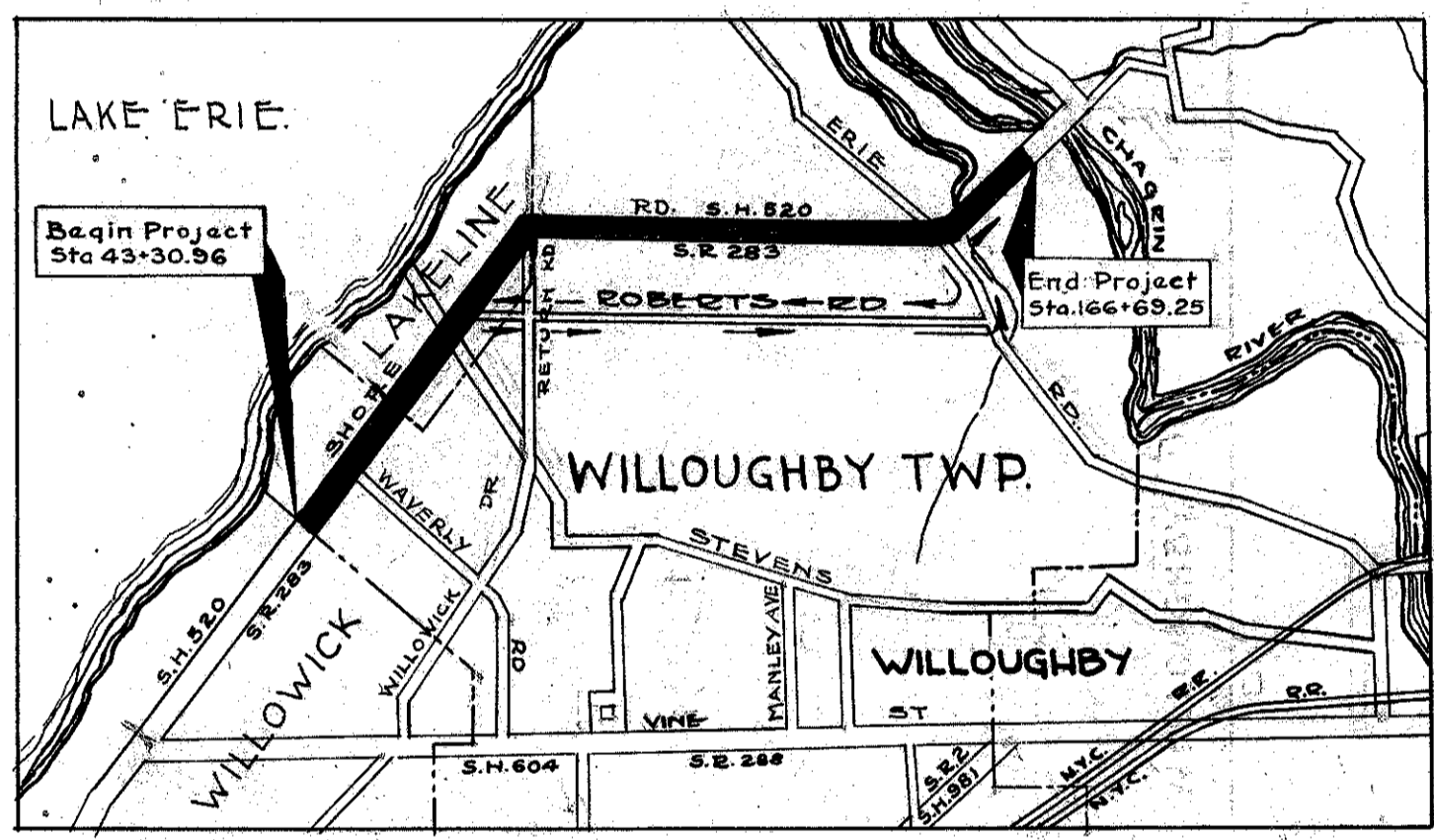
THE RIGHT OF WAY NECESSARY FOR THIS IMPROVEMENT WILL BE PROVIDED FOR BY THE STATE OF OHIO.

I HEREBY APPROVE THESE PLANS AND DECLARE THAT THE MAKING OF THIS IMPROVEMENT WILL REQUIRE THE CLOSING TO TRAFFIC OF THE HIGHWAY AND THAT A TEMPORARY ROAD WILL BE PROVIDED.

SEE TRAFFIC NOTE SHEET No. 3

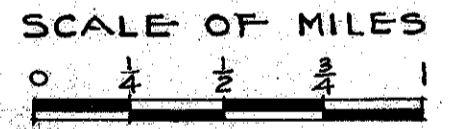
### CONVENTIONAL SIGNS

STATE LINE	_____
COUNTY LINE	_____
TOWNSHIP LINE	_____
SECTION LINE	_____
PROPERTY LINE	_____
CENTER LINE	_____
CITY OR VILLAGE LINE	_____
FENCE	x x x x
TELEPHONE OR TELEGRAPH	o o o o
STEAM RAILROAD	====
ELECTRIC LINE	====
GUARD RAIL	o o o o



DELIVERY POINT - WILLOUGHBY  
AVERAGE HAUL - 20 MILES  
DETOUR SHOWN THIS

### LOCATION PLAN.

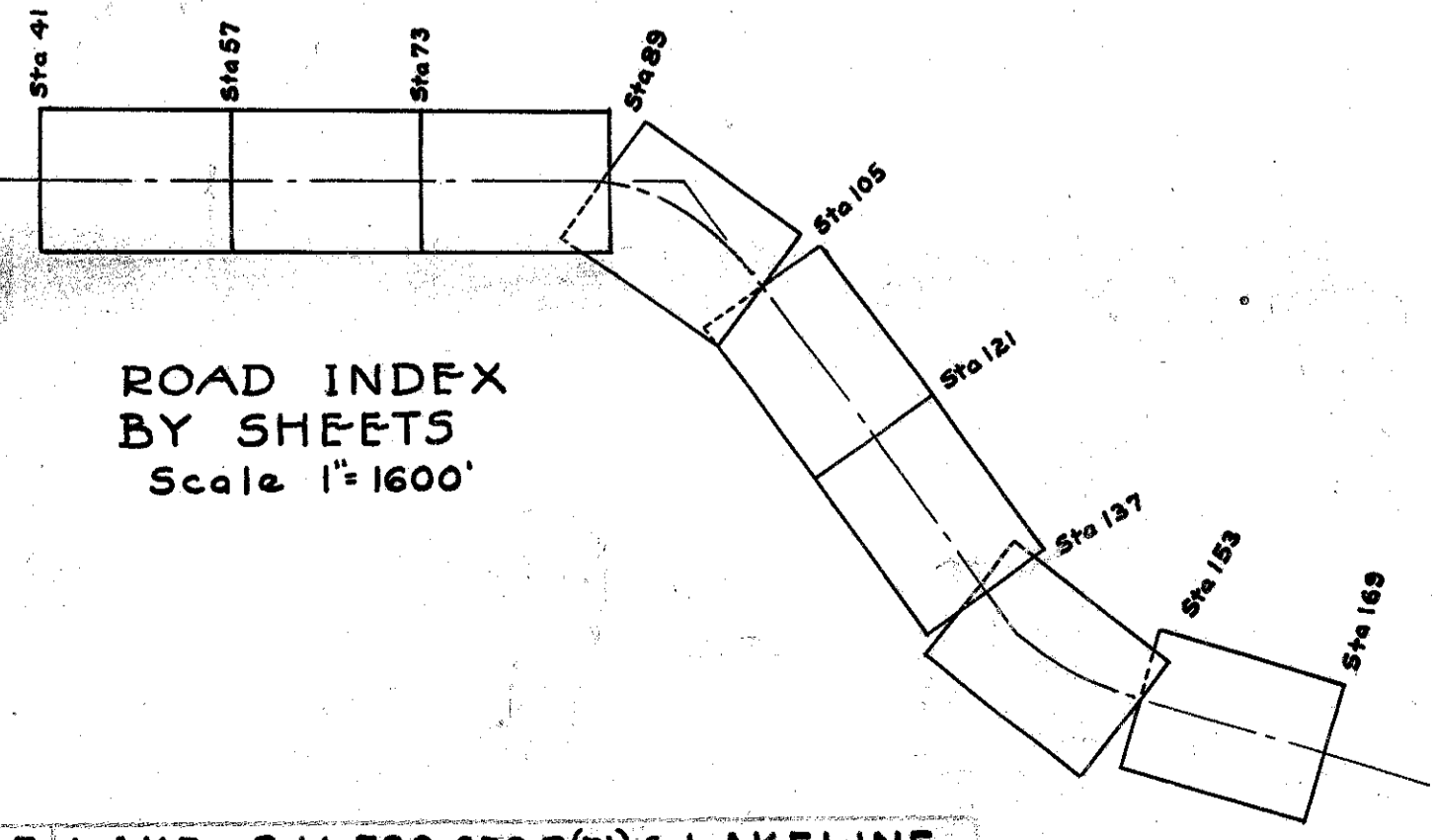


PORTION TO BE IMPROVED   
IMPROVED ROADS.

CONSTRUCTION BUREAU  
APR 10 1955  
GROUND PHOTOLAB

### LINE DATA

BEGIN PROJECT	STA. 43+30.96
END PROJECT	STA. 166+69.25
GROSS LENGTH OF PROJECT	12338.29
EQUATION - Sta. 102+30.7 (bk) - Sta. 103+34.21 (Fwd) - 103.51	
EQUATION - Sta. 150+10.93 (bk) - Sta. 150+20.62 (Fwd) - 9.69	
DEDUCTIONS	113.20
NET LENGTH OF PROJECT	12,225.09 Lin. Ft. or 2.315 Miles



ROAD INDEX BY SHEETS  
Scale 1" = 1600'

### SCALES

PLAN	1" = 50'
PROFILE VERTICAL	1" = 5'
PROFILE HORIZONTAL	1" = 50'

### SUPPLEMENTAL SPECIFICATIONS

DEWG. No.	DATE	DEWG. No.	DATE
E 303	2-15-40 (REV)		

### INDEX TO SHEETS

TITLE SHEET	1
TYPICAL SECTION	2
CURVE TABLES	3
PLANS	4-11
CROSS SECTIONS	12-29
INTERSECTION & DRIVE DETAILS	30-34
STRUCTURES	35-36
SUMMARIES	37

### STANDARD CONSTRUCTION DRAWINGS & DATES

DEWG. No.	DATE	DEWG. No.	DATE
G-707	10-1933		
S-27 RC-2	3-1-39		
S-27 RC-3	3-1-39		
T-173-415	3-1-39		
T-8 CB 152-2	11-24-39		
T-8 T No. 1	3-1-39		
T-15 No. 1	10-1-39		
T-15 No. 2	10-1-40		
T-37 No. 1	7-1-40		
T-2 C.B. 1361-4	11-24-39		

FILE LAKE S.H. 520 SEC. B(P) & LAKELINE  
NO. DATE OF LETTING  
CONTRACT NO.

000046