

LAKE COUNTY
S.H. 520 SEC. PAINESVILLE (PT)
GRADE SEPARATION NYC. R.R.

SPECIFICATIONS FOR LUMAIRES

The luminaires shall have a housing of cast aluminum (Alcoa 43) not less than 3/16" thick. They shall have either medium base porcelain receptacles or mogul base porcelain series receptacles, as required. The bases shall be adjustable so as to properly focus 100 or 200 watt multiple lamps or 1000 or 2500 lumen series lamps, as required.

The housing shall be dust proof and weather proof. The prismatic lenses shall be No. 791 as manufactured by the Holophane Co. Inc. or equal. They shall be protected on the outside by a heavy piece of clear plate or safety glass.

All other glass shall be of the diffusing type.

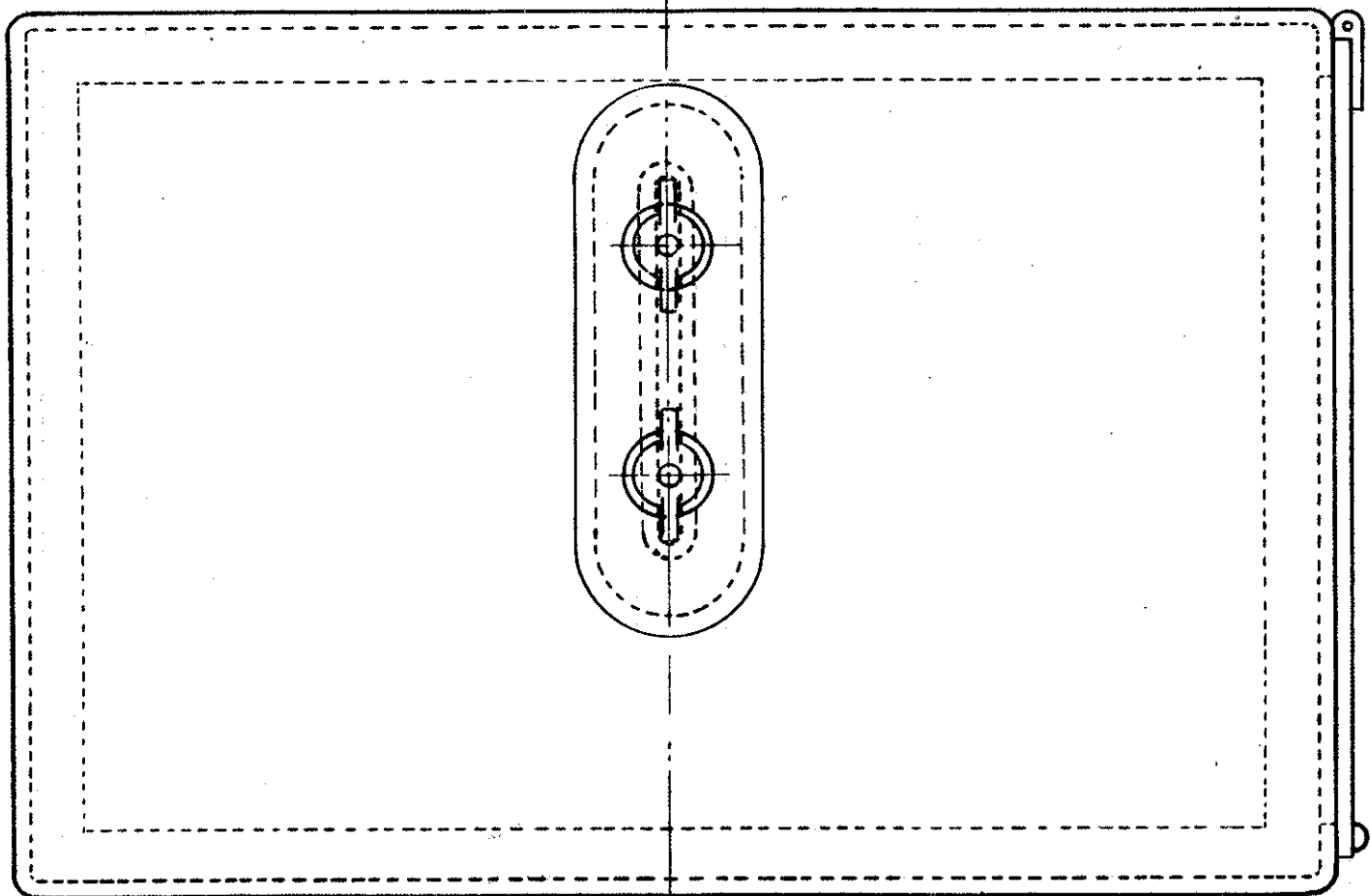
All glass lenses shall be protected by a heavy steel wire guard made of not less than No. 9 gauge wire, welded and thoroughly galvanized. The design of the housing shall provide easy access for re-lamping.

The light source shall be thoroughly screened from the eyes of the driving motorist when approaching it on the highway. The type "B" luminaire shall be adjustable so as to produce an approximately uniform intensity of light on either a 20 foot or 40 foot width of roadway surface and a horizontal spread, parallel with the centerline of the roadway, of approximately 45 degrees each side of the centerline of the beam. The light from the bottom is to flood the sidewalk, sidewalk and curb and have a spread parallel to the curb of approximately 45 degrees each side of the centerline of the beam. (The spread of the beam is understood to be the spread between the angles at which the foot candles drops to approximately one half its maximum value.) All of these conditions are to be satisfactory to the Engineer.

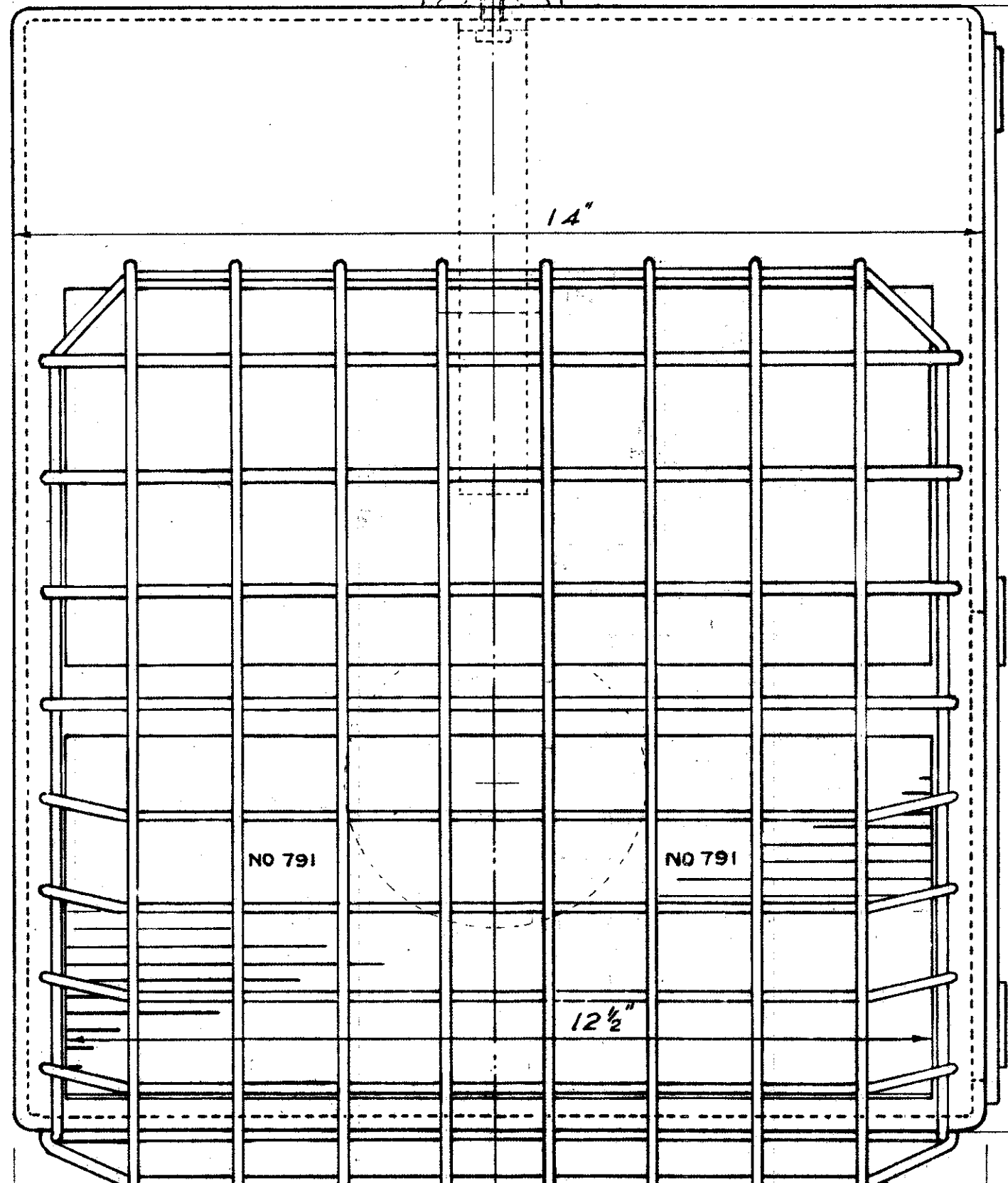
The type "A" luminaire shall be of the built in type for mounting in the ceiling above a tunnel sidewalk with refracting lens flush with the ceiling.

The type "B" luminaire shall be for surface type mounting on the face of an abutment or pier near the top.

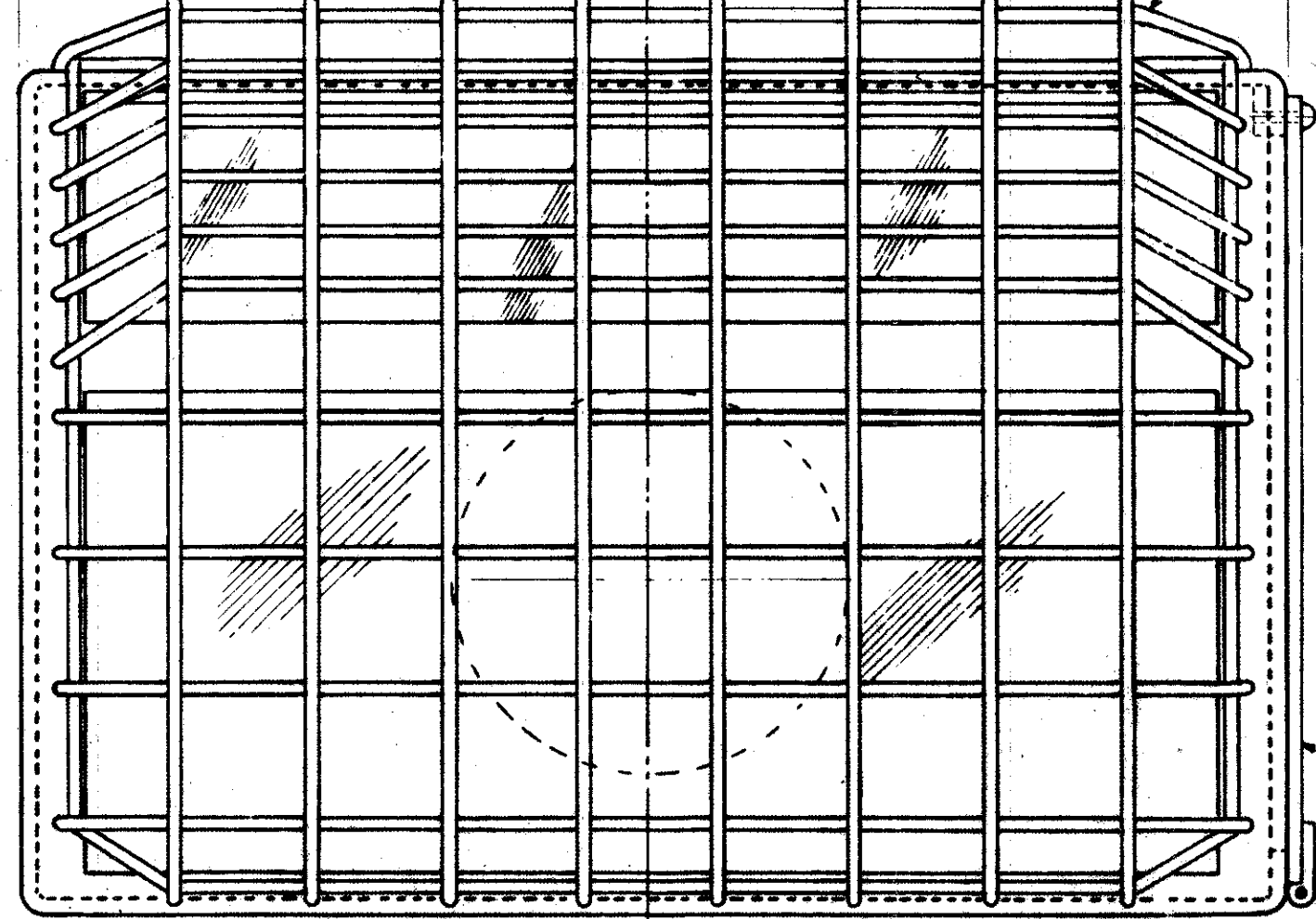
(CONTINUED BELOW)



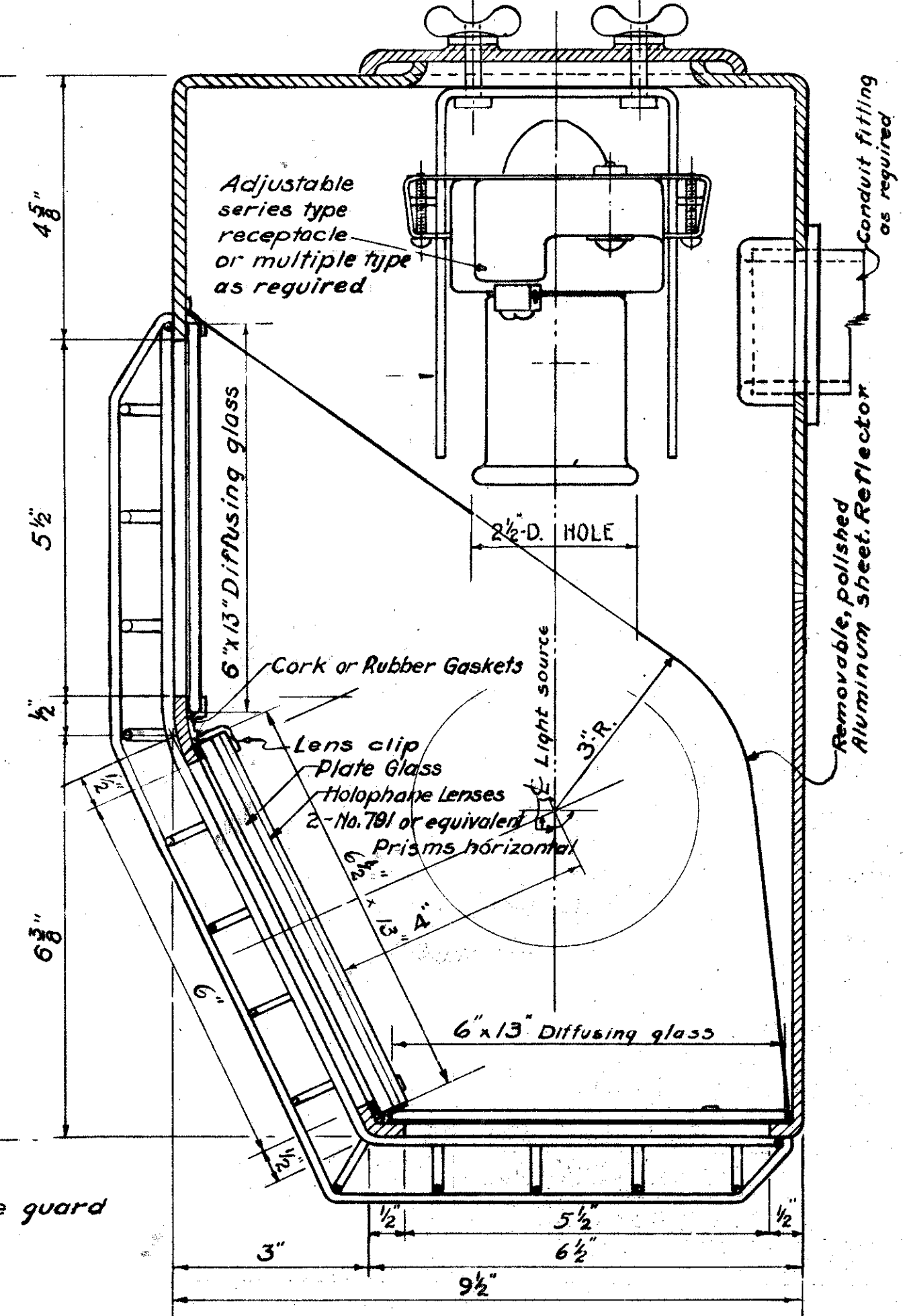
TOP



FRONT



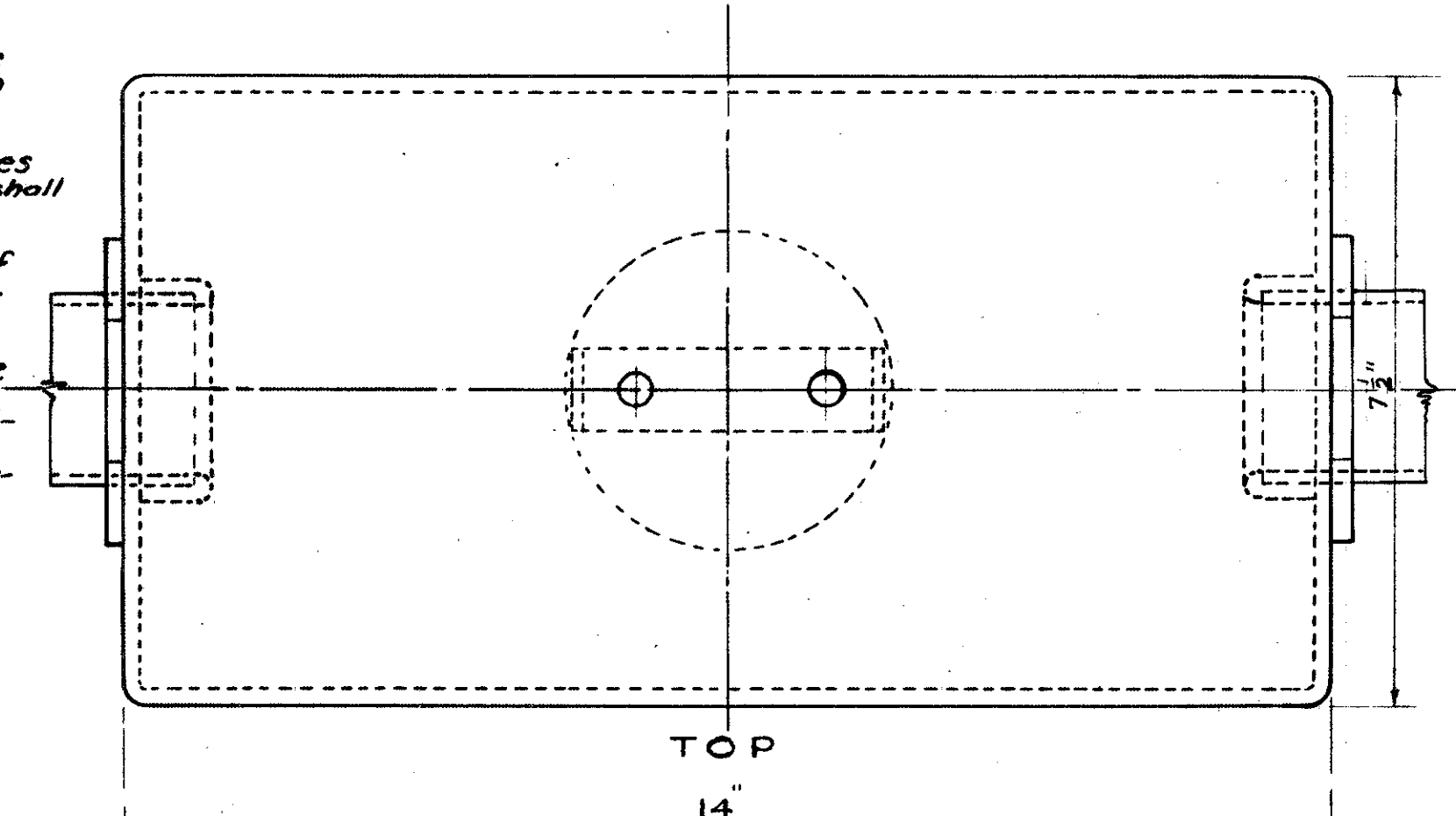
BOTTOM



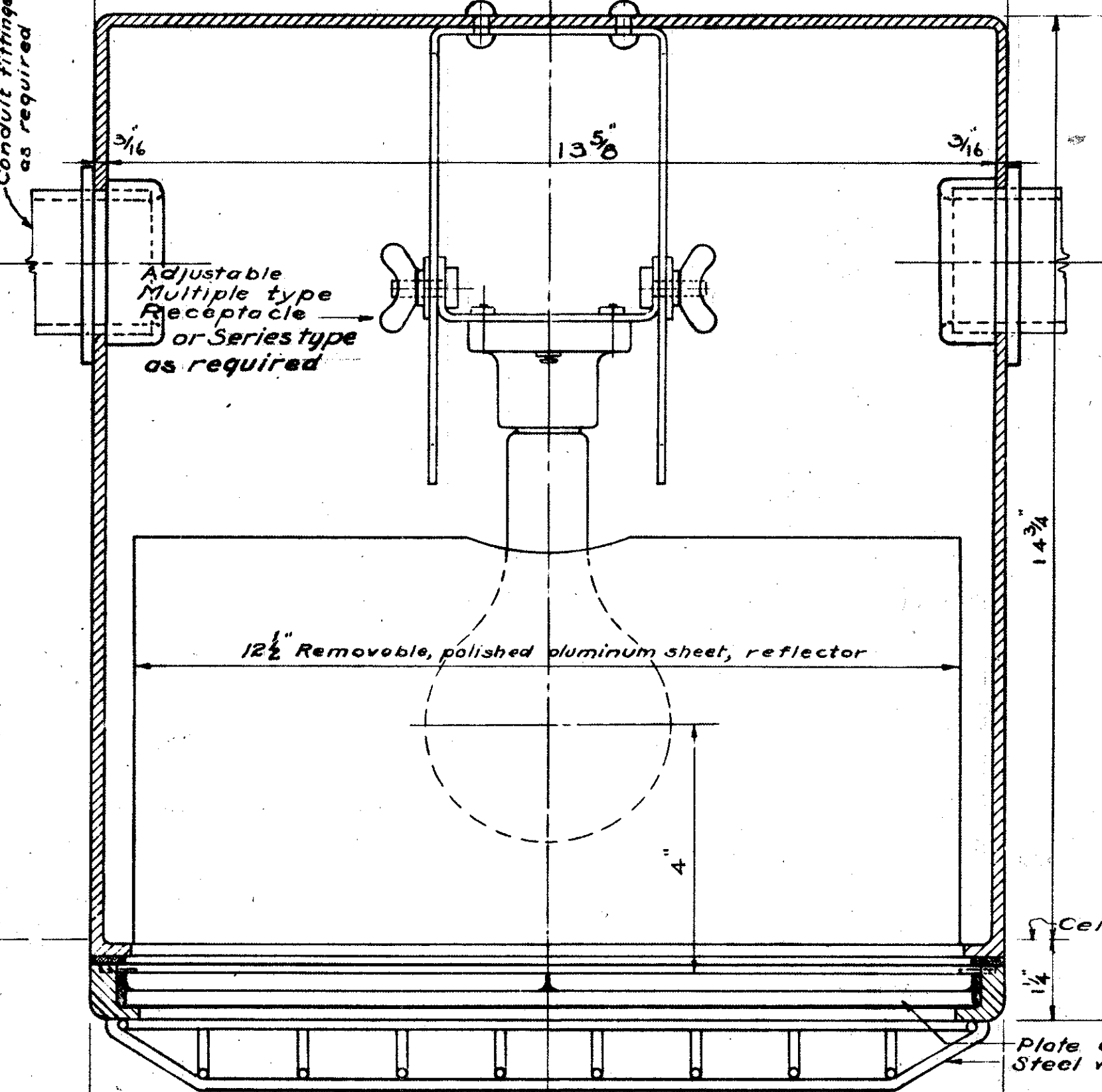
SECTION ON CENTERLINE

ROADWAY LUMINAIRE TYPE "B" 6 - REQUIRED

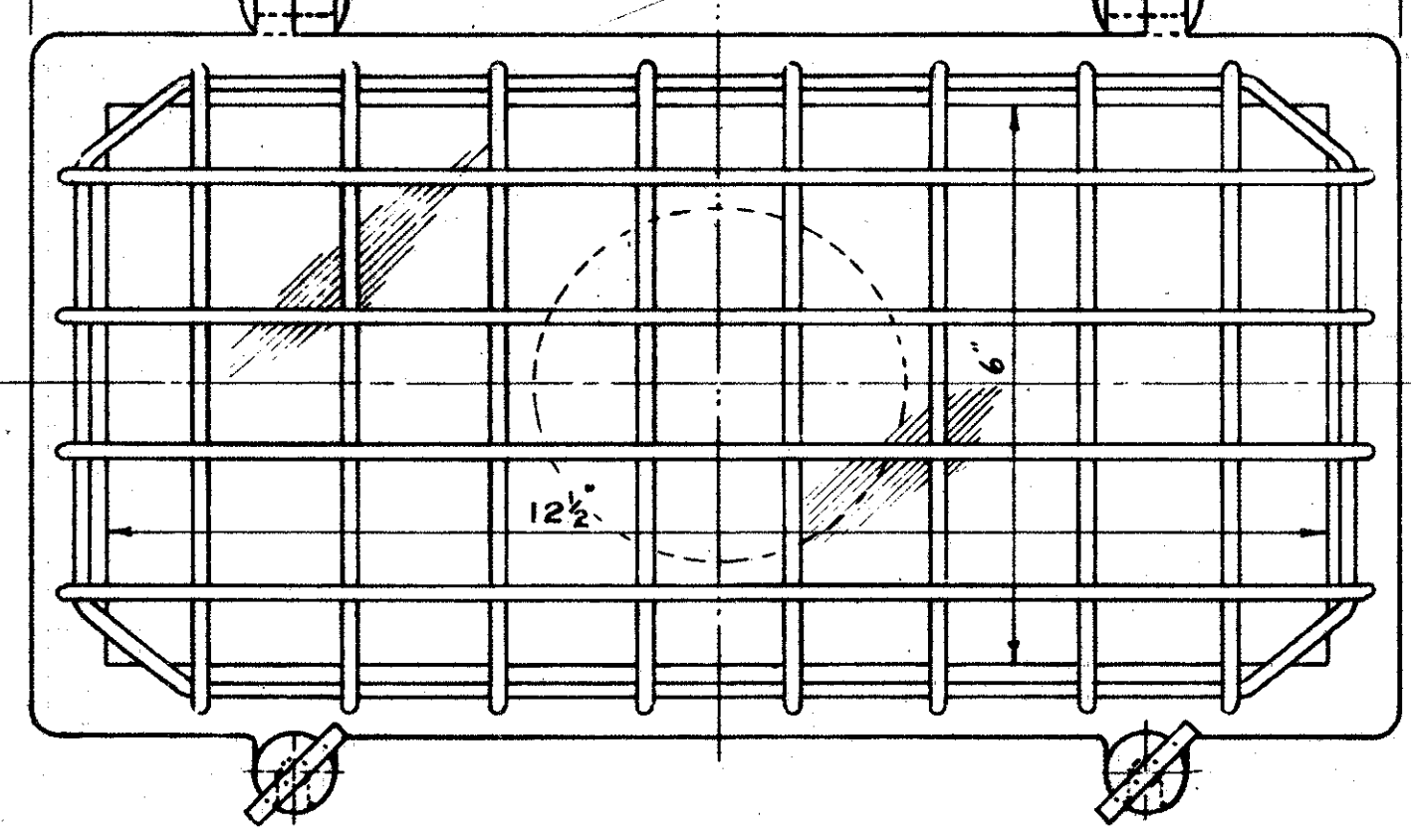
SPECIFICATIONS FOR LUMAIRES (CONT'D)
Suitable provision shall be made for mounting the units See Sheet No. 47 for electric service.
The luminaires shall be as shown on this drawing or equal, as approved by the Chief Engineer of Bridges and Railroad Crossings.



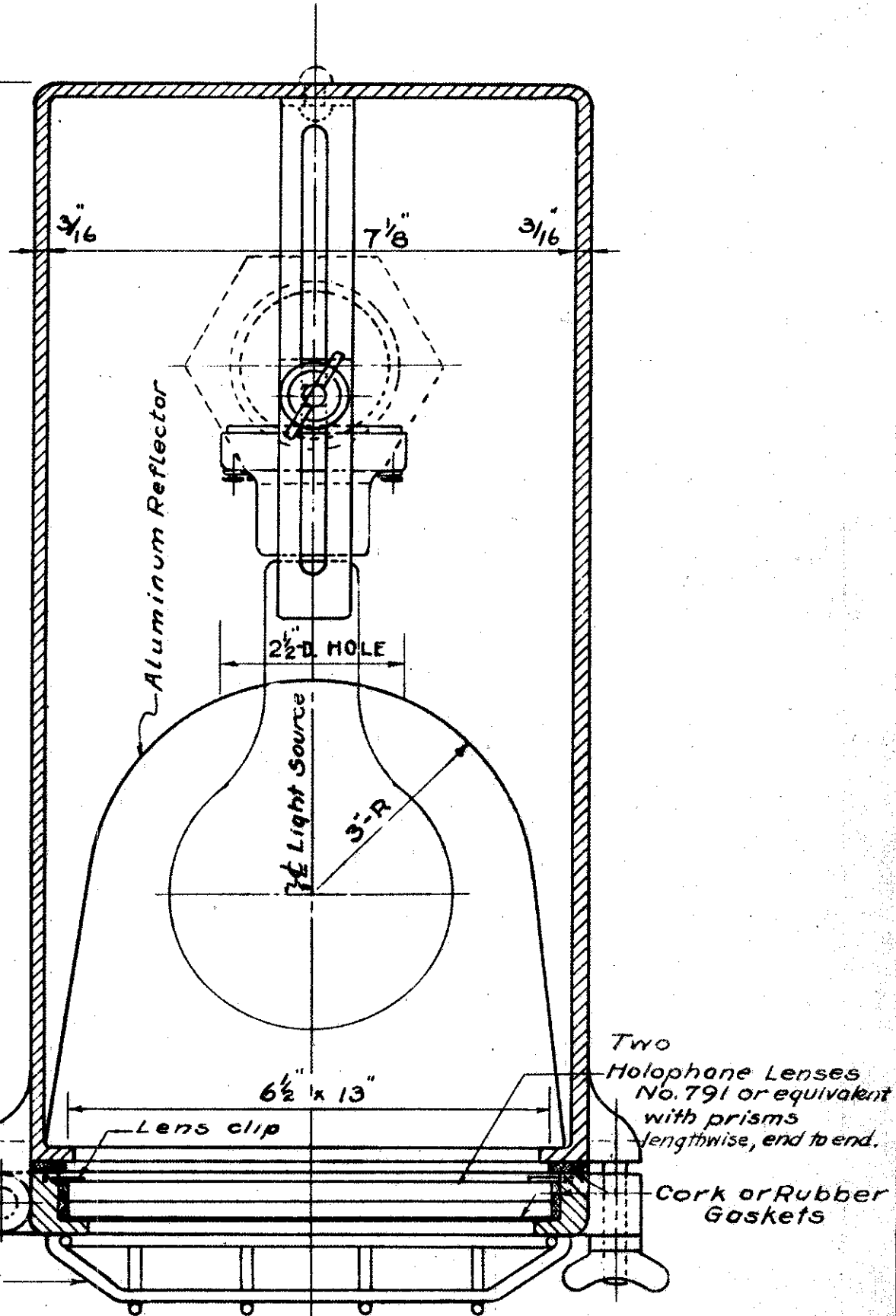
TOP



LONGITUDINAL SECTION



BOTTOM



TRANSVERSE SECTION

SIDEWALK LUMINAIRE TYPE "A" 6 - REQUIRED

STATE OF OHIO DEPARTMENT OF HIGHWAYS BUREAU OF BRIDGES							
LUMAIRES FOR SUBWAYS							
BR. NO. LA - 283-170 GRADE SEPARATION WITH NYC.R.R. LAKE CO. S.H. 520 SEC. PAINESVILLE (PT) FAGM 70 - A (1)							
DESIGNED	DRAWN	TRACED	CHECKED	REVIEWED	DATE	REVISED	
Jan	Jan	Jan					