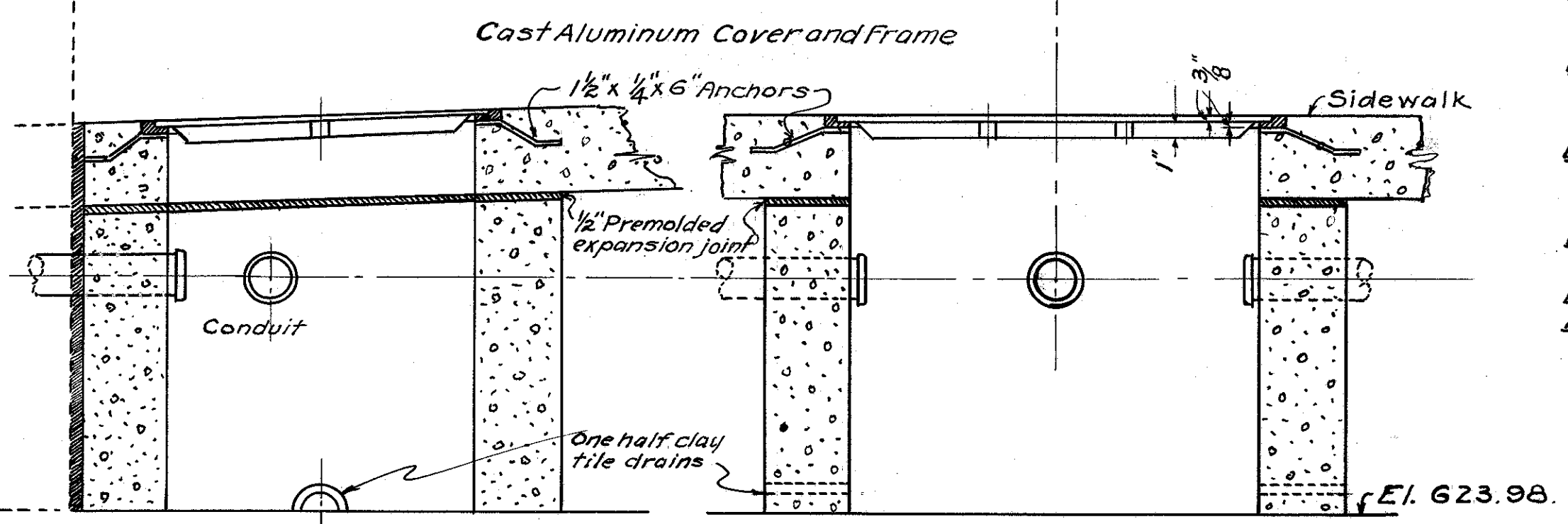
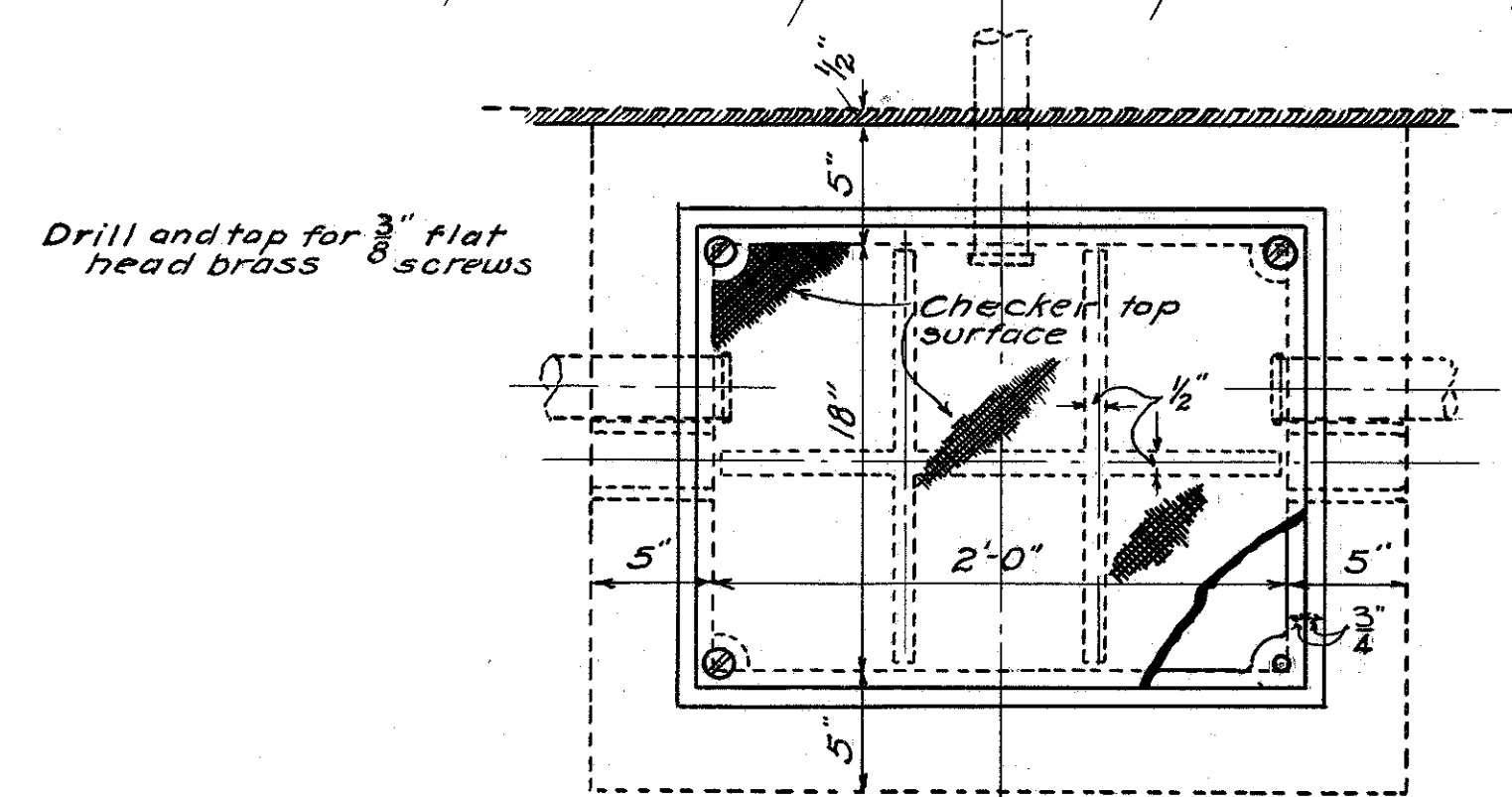
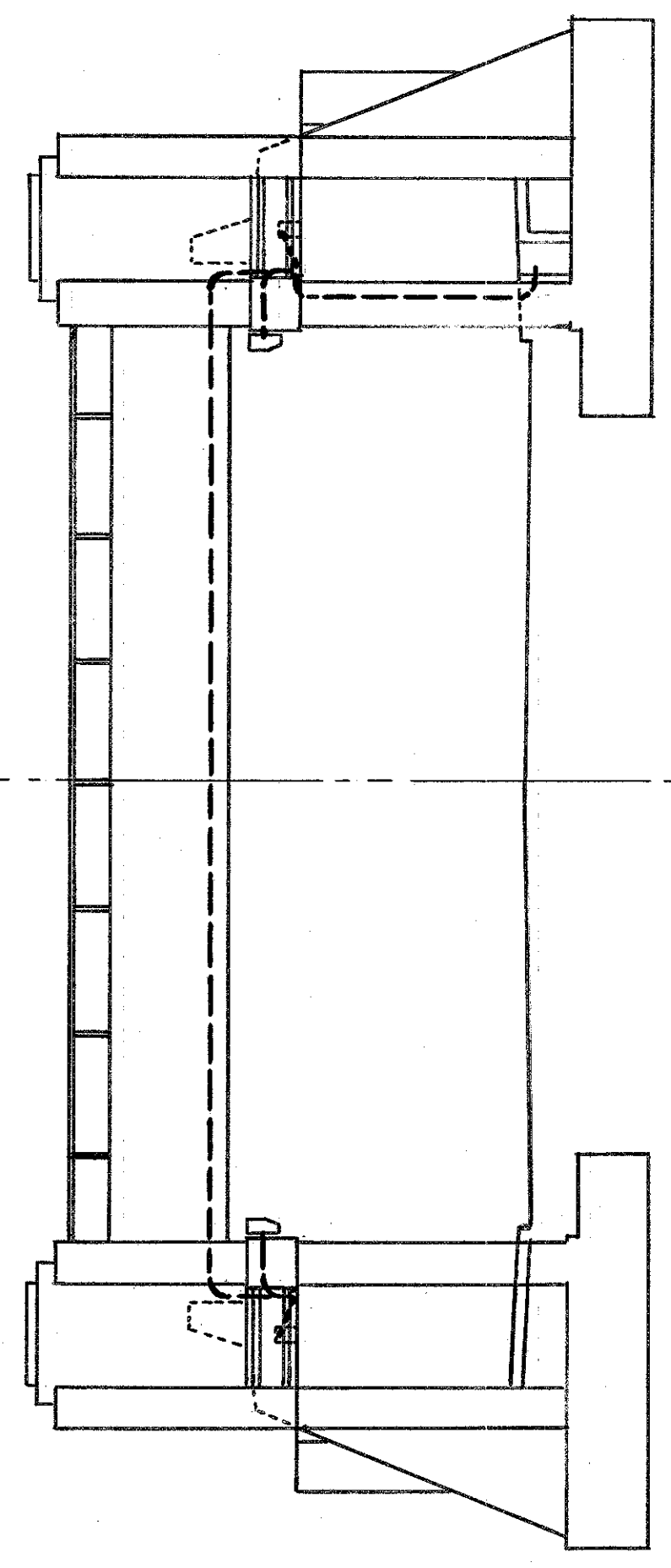
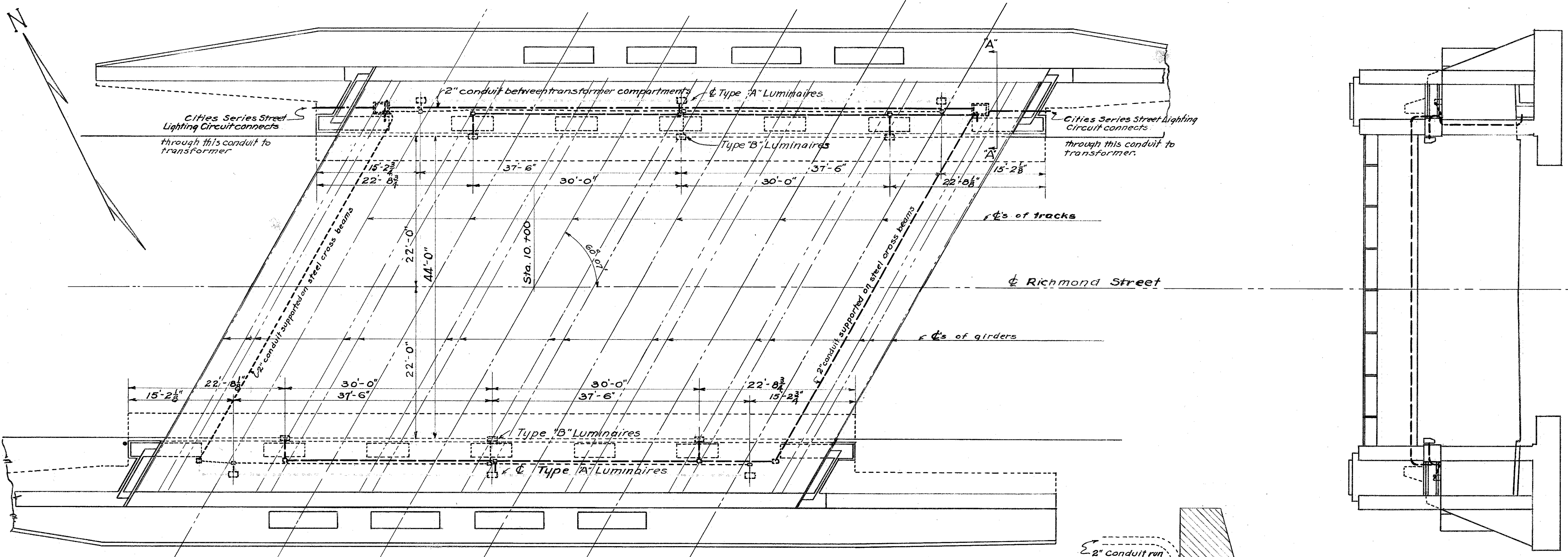
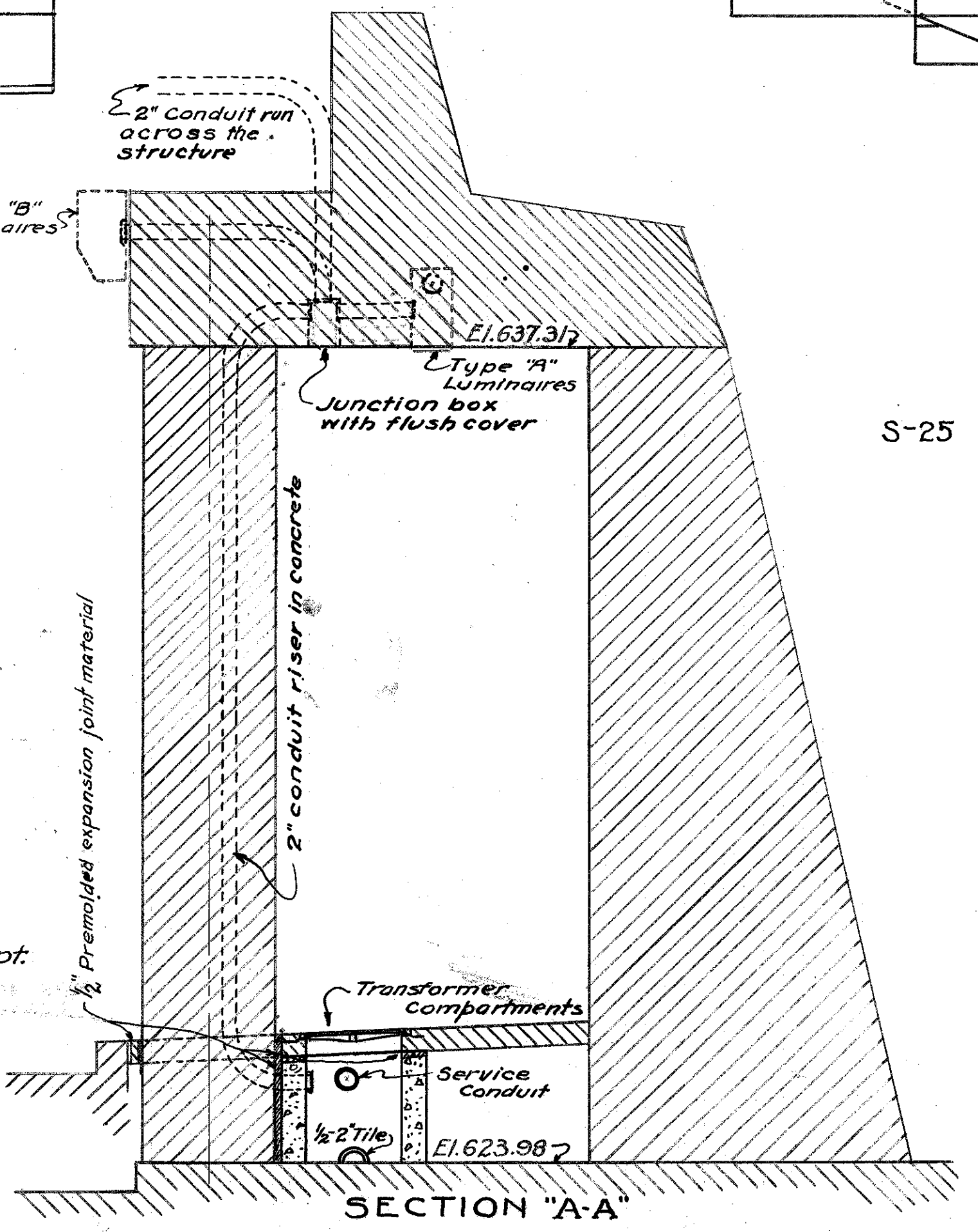


LAKE COUNTY
S.H. 520 SEC. PAINESVILLE (PT)
GRADE SEPARATION NYC.R.R.



TRANSFORMER COMPARTMENT TWO - REQD.

- LIGHTING SYSTEM**
- CIRCUITS** Two 60 cycle 6.6 amp. primary, 6.6 amp secondary constant current series circuits.
 - CONDUIT** 2" diam. conduit, aluminum boxes with flush covers.
 - CABLE** No. 6, B. & S. gage with varnished cambric insulation for 600 volts, lead-covered.
 - TRANSFORMERS** Two 1. KW Isolating current transformer, Group series, subway type including film protective device, W.E. & M. Co. Style No. 348 481, G.E. Style No. 73 X 723. or an approved equivalent.
 - LIGHTING UNITS** Luminaires, refractors and adjustable film cutout series receptacles as detailed.
 - LAMPS** 6 - 1000 lumen Mazda 6.6 amp. series type
6 - 2500 lumen Mazda 6.6 amp. series type
 - PAINTING** Dull gray to match concrete
 - POWER & MAINTENANCE** By City of Painesville, Municipal Electrical Dept.



SECTION "A-A"

ESTIMATED QUANTITIES
S-25 Bridge Lighting Complete Lumpsum.

STATE OF OHIO DEPARTMENT OF HIGHWAYS BUREAU OF BRIDGES					
LIGHTING DETAILS					
BR. NO. LA-283-170 GRADE SEPARATION WITH NYC.R.R.					
LAKE CO. S.H. 520 SEC. PAINESVILLE (PT) FAGM 70-A(1)					
DESIGNED	DRAWN	TRACED	CHECKED	REVIEWED	DATE
7/21	7/21	7/21			