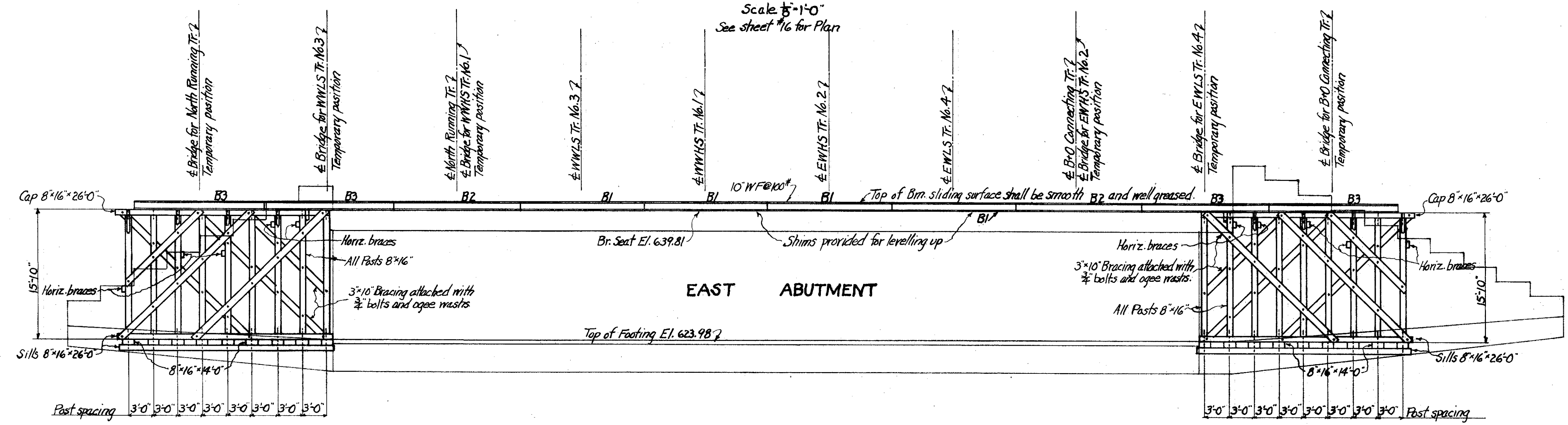
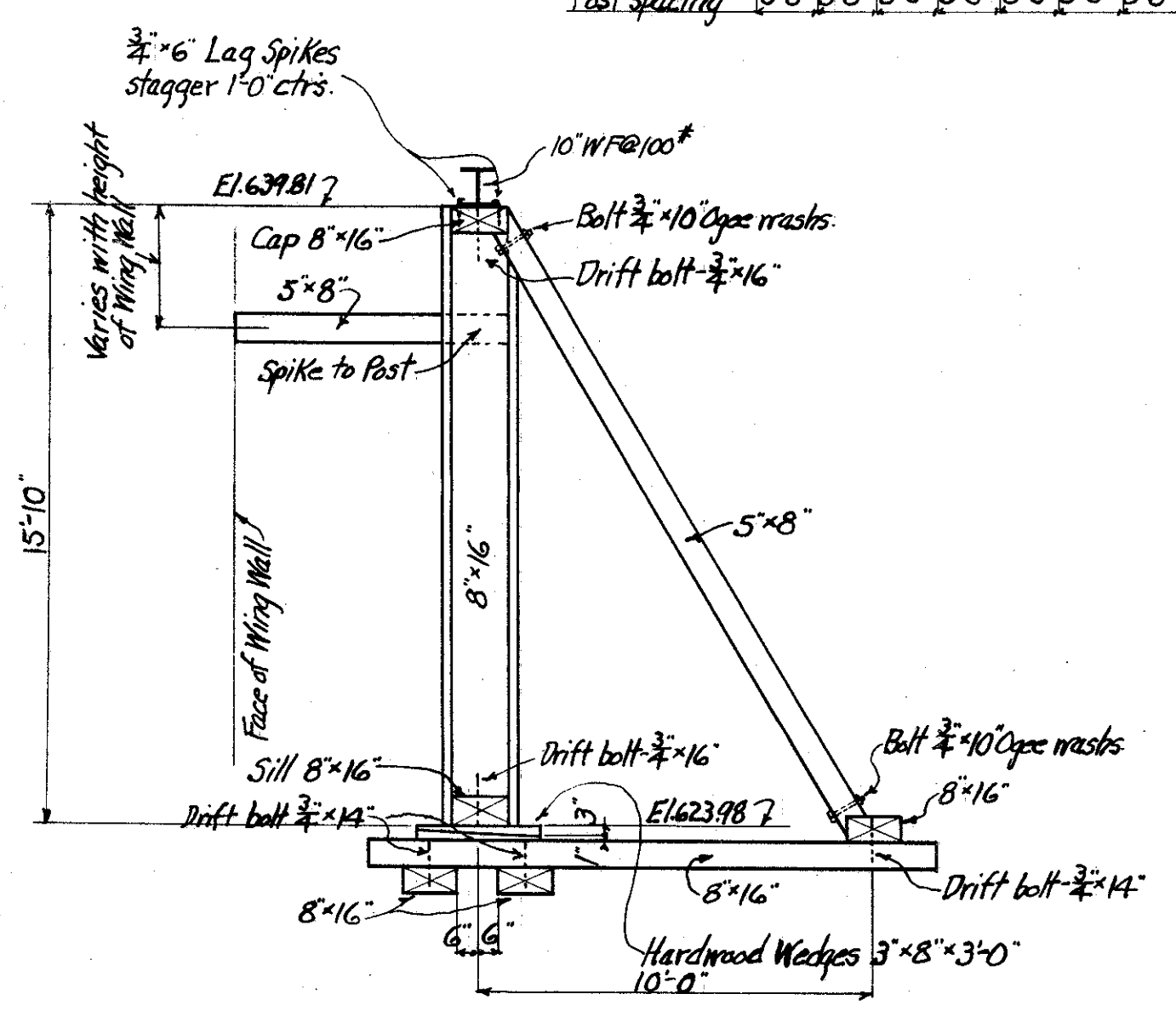


ELEVATION A-A
Scale 1/8"=1'-0"
See sheet #16 for Plan



ELEVATION B-B
Scale 1/8"=1'-0"
See sheet #16 for Plan



TYPICAL SECTION THRU SLIDING IN BENT
Scale 1/4"=1'-0"

Correct *[Signature]* Engineer of Structures
Approved *[Signature]* Chief Engineer

Date	By	Description
	L.J.C.	Traced
	L.J.C.	Checked
		REVISIONS

BR. No. LA-283-170
N.Y.C. System Office of Chief Engineer Chicago, Ill.
BR. No. 100³ ERIE DIVISION STA. 481+76.1
GRADE SEPARATION
RICHMOND ST. PAINESVILLE, OHIO
SLIDING IN ELEVATIONS Sheet 17 of 19
N.Y.C.R.R. West Erie Division Plan No. 1102
Scale as shown Dec. 3, 1940 Val. Sec. 203 File No. 100-103