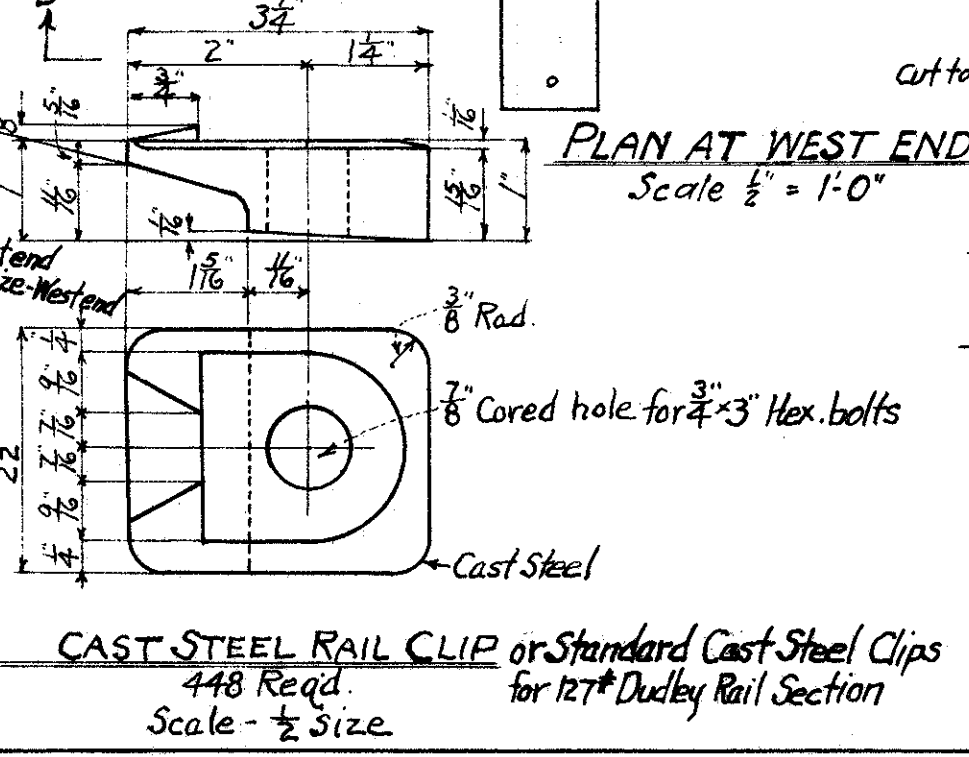
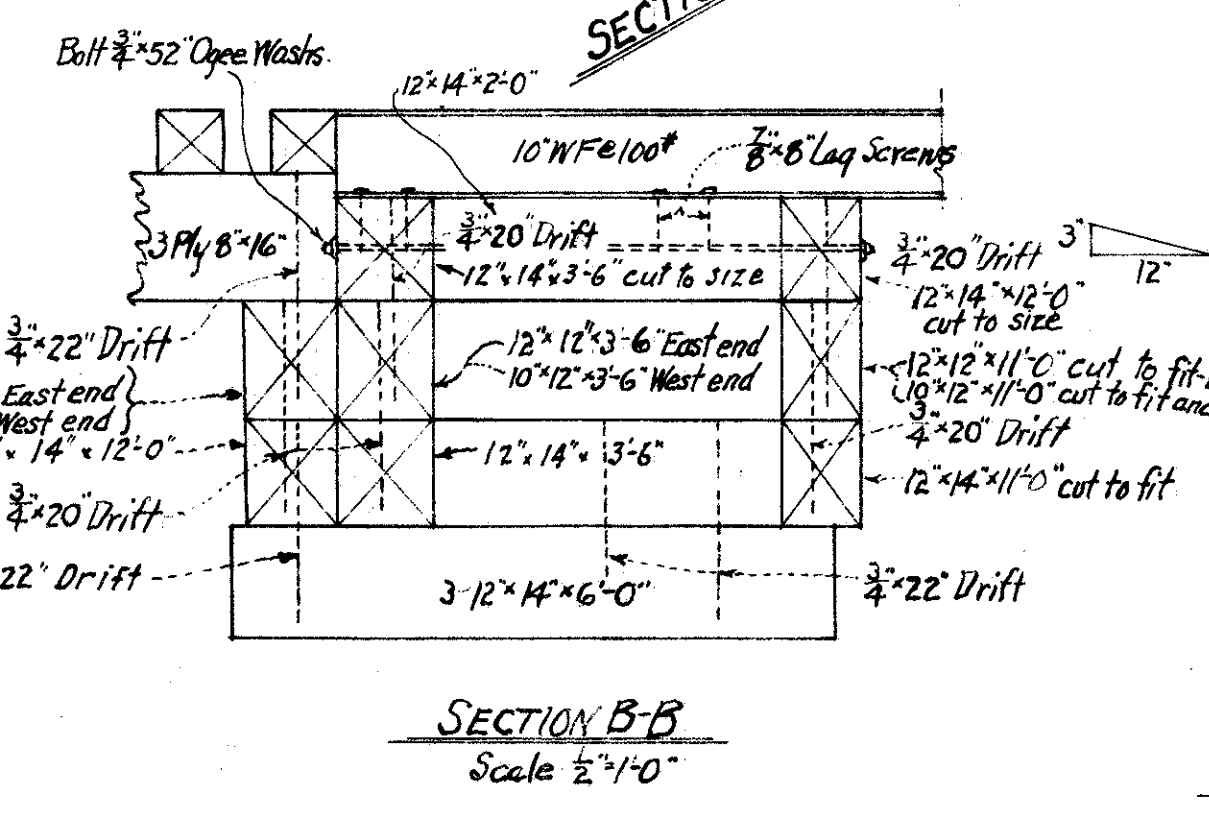
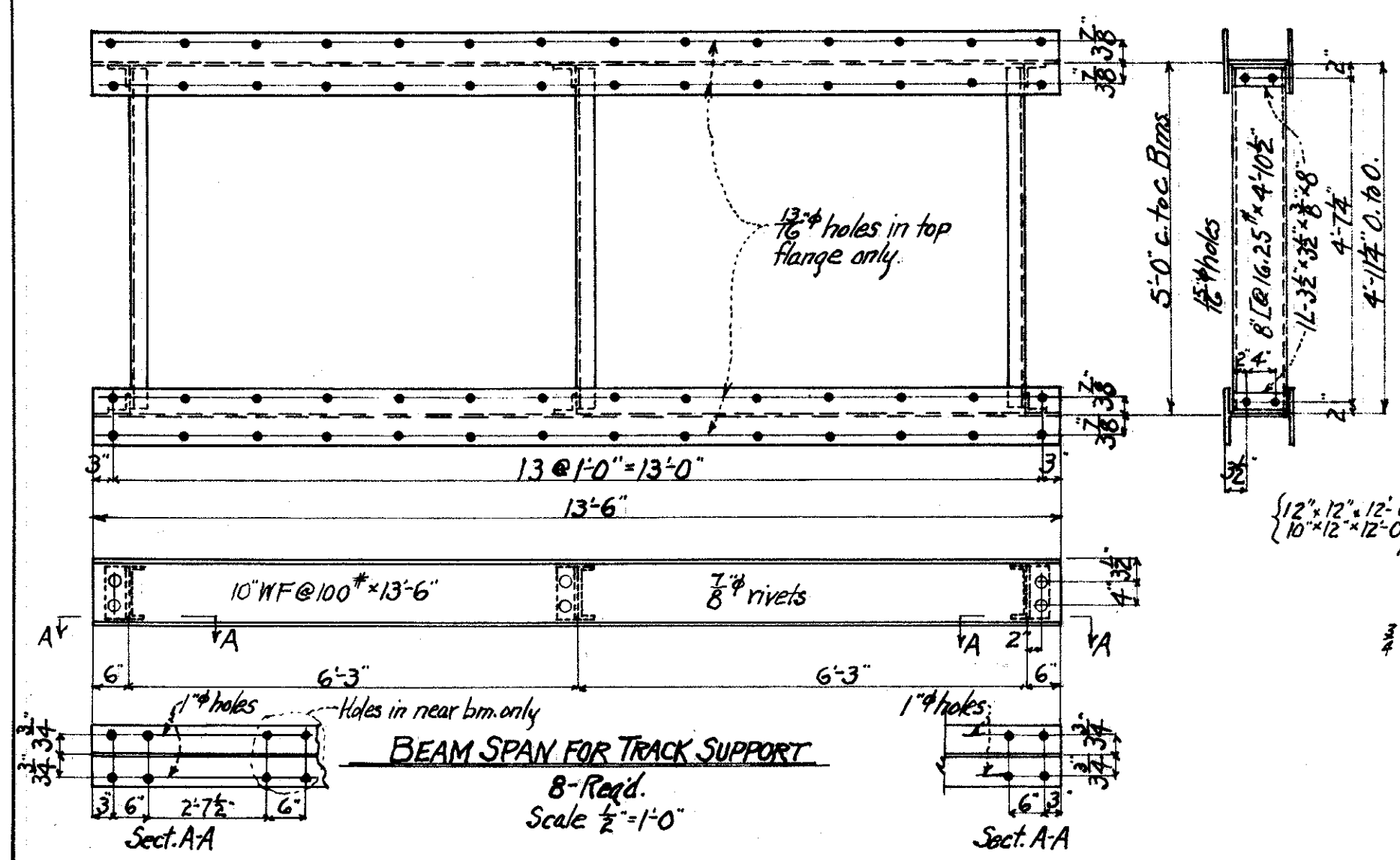
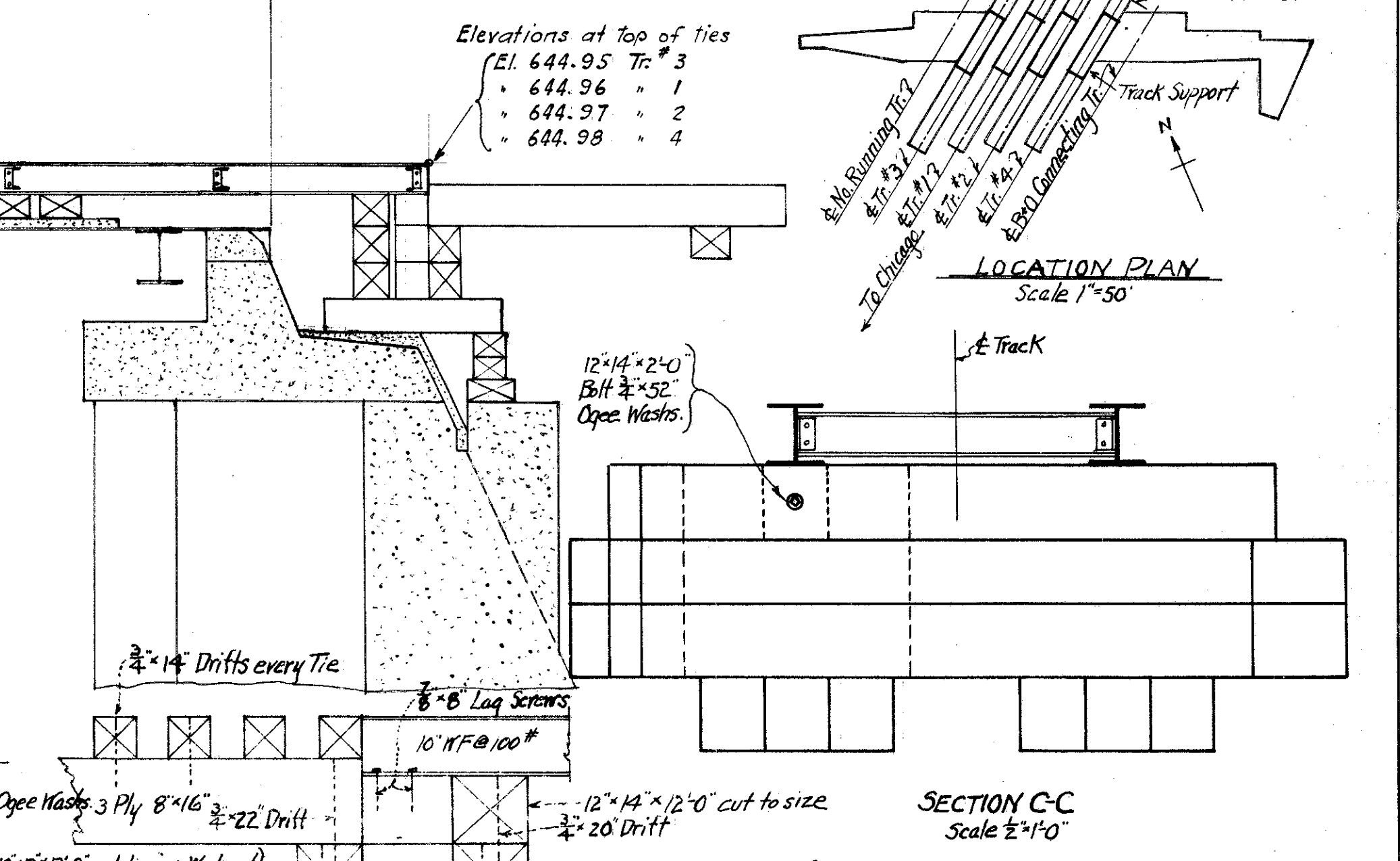
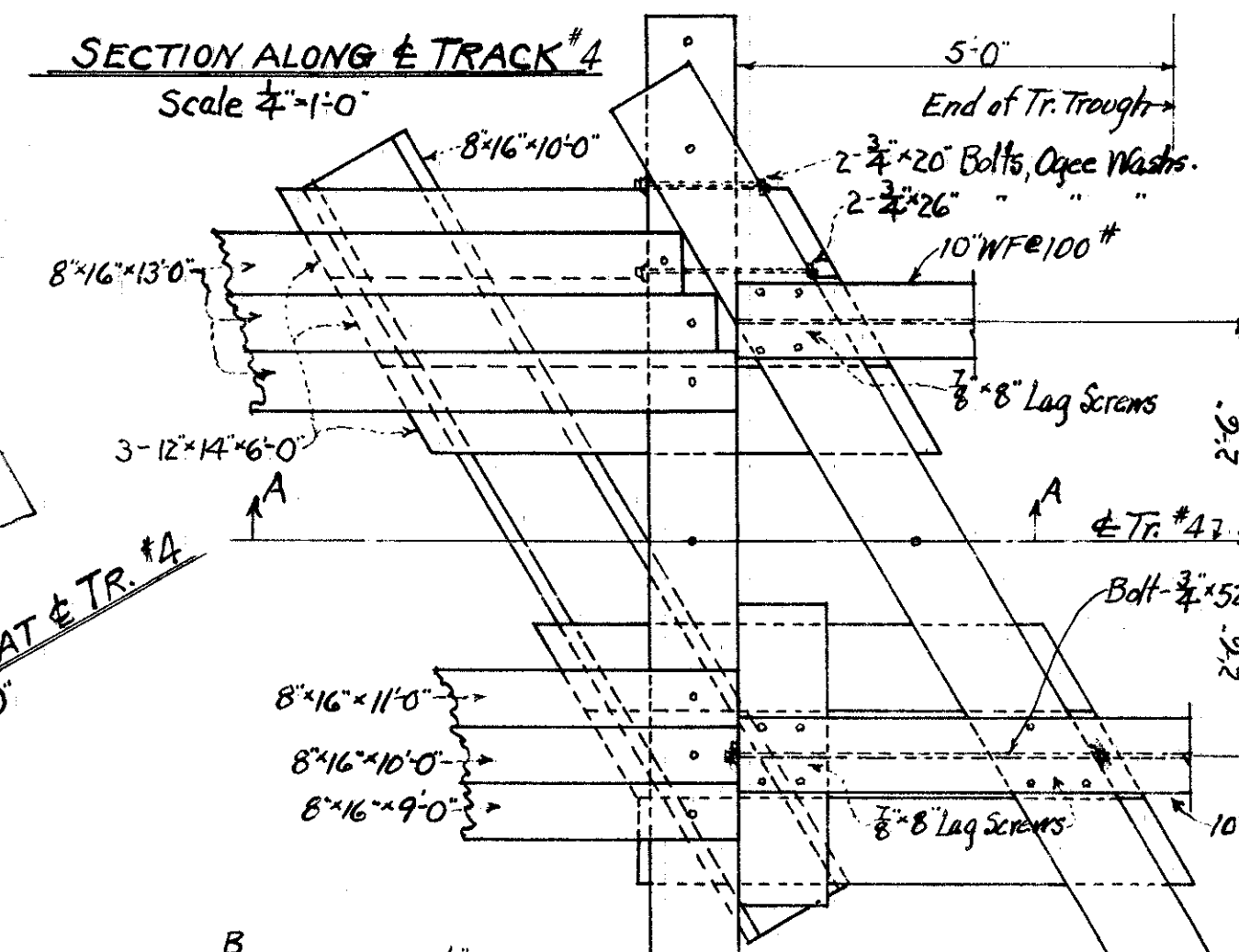
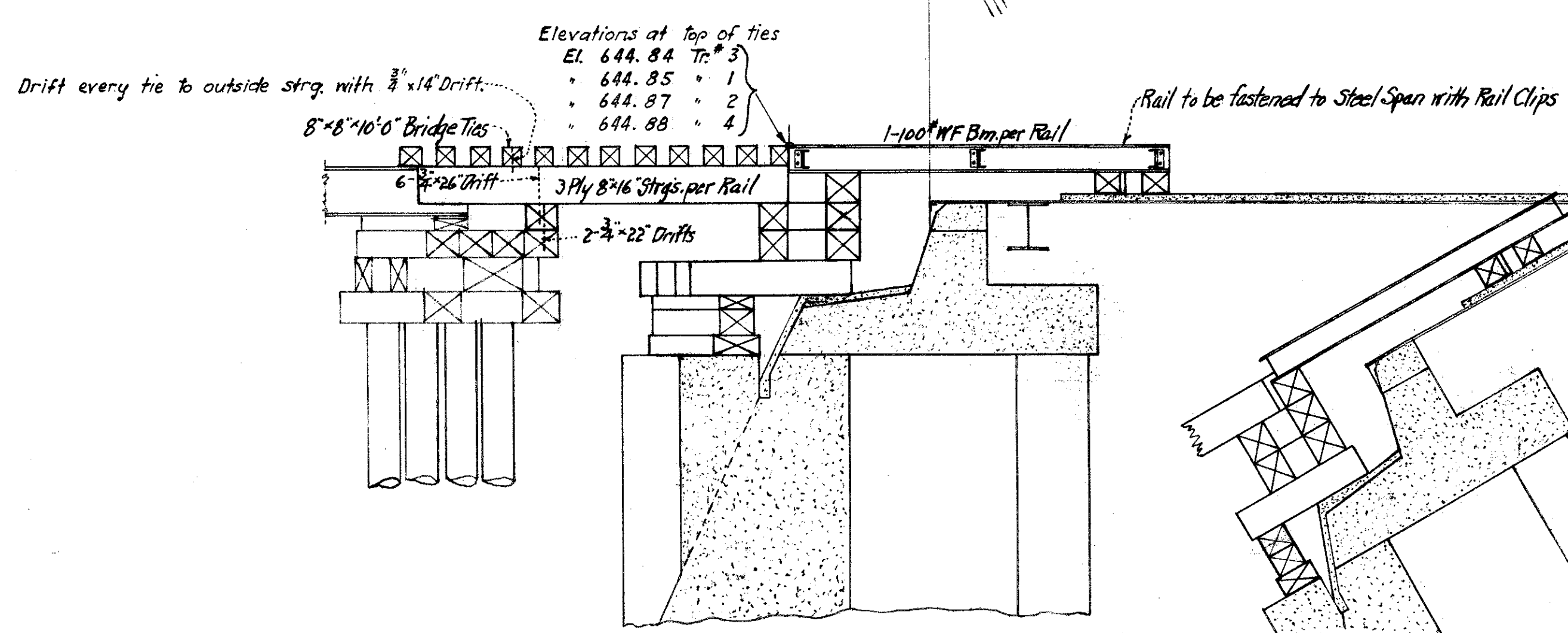
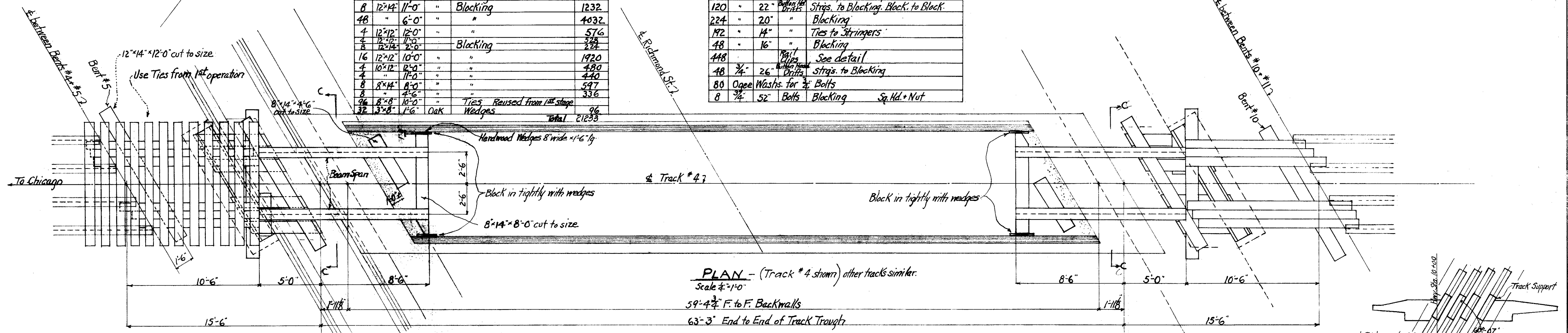


| Bill of Timber (No Excess) | | | | | |
|----------------------------|-----------|--------|----------------|----------------------------|-------|
| No. | Size | Length | Kind | Remarks | FBM |
| 24 | 8" x 16" | 13'-0" | Pipe | Strgs. | 3328 |
| 8 | " | 11'-0" | " | " | 938 |
| 16 | " | 10'-0" | " | and Blocking | 1706 |
| 8 | " | 9'-0" | " | " | 768 |
| 24 | 12" x 14" | 12'-0" | Oak, Fir or YP | Blocking | 4032 |
| 8 | 12" x 14" | 11'-0" | " | Blocking | 1232 |
| 48 | " | 6'-0" | " | " | 4032 |
| 4 | 12" x 12" | 12'-0" | " | " | 576 |
| 4 | 12" x 12" | 11'-0" | " | " | 528 |
| 8 | 12" x 12" | 2'-0" | " | Blocking | 384 |
| 16 | 12" x 12" | 10'-0" | " | " | 1920 |
| 4 | 10" x 12" | 12'-0" | " | " | 480 |
| 4 | 10" x 12" | 11'-0" | " | " | 440 |
| 8 | 8" x 14" | 8'-0" | " | " | 597 |
| 8 | 8" x 8" | 4'-6" | " | " | 336 |
| 96 | 8" x 8" | 10'-0" | Oak | Ties Reused from 1st stage | 96 |
| 32 | 3" x 8" | 1'-6" | Oak | Wedges | 96 |
| Total | | | | | 21233 |

| Bill of Hardware (No Excess) | | | | |
|------------------------------|------|--------|-----------------------------|---|
| No. | Size | Length | Kind | Remarks |
| 96 | 3" | " | Bolts | Is to Brms. on Brm. Spans Sq. Hd. + Nut |
| 160 | 8" | " | Lag Screws | Brm. Spans to Blocking |
| 16 | 3/4" | 26" | Bolts | Blocking Sq. Hd. + Nut |
| 16 | " | 20" | " | " |
| 448 | " | 3" | 16x16 Bolt | Rail Clips to Brm. Spans |
| 120 | " | 22" | Drifts | Strgs. to Blocking, Block. to Block. |
| 224 | " | 20" | " | Blocking |
| 172 | " | 14" | " | Ties to Stringers |
| 48 | " | 16" | " | Blocking |
| 448 | " | " | " | See detail |
| 48 | 3/4" | 26" | Drifts | Strgs. to Blocking |
| 80 | " | " | Open Washers for 3/4" Bolts | " |
| 8 | 3/4" | 52" | Bolts | Blocking Sq. Hd. + Nut |

| Bill of Structural Steel | | |
|--------------------------|--|-------------|
| 8-Beam Spans See Detail | | W7/16-23768 |

| | | | |
|--|-------|------------------|-------------|
| FED. RD. DIST. NO. | STATE | F.A.G.C. PROJECT | FISCAL YEAR |
| 10 | OHIO | F.A.G.M. TOA(1) | 1941 |
| LAKE COUNTY SEC. PAINESVILLE (PT) GRADE SEPARATION | | | S.H. 520 |



Correct *[Signature]* Engineer of Structures
 Approved *[Signature]* Chief Engineer

| Date | By | Description |
|---------|------|---|
| 3-12-41 | J.C. | Drawn L.J.C. Traced L.J.C. Checked G.P.B. |
| | | REVISIONS |
| | | 3-12-41 J.C. Omit R.B.M. Ties Bill/Material |

BR. No. LA-283-170
 N.Y.C. System Office of Chief Engineer Chicago, Ill.
 BR. No. 1007 ERIE DIVISION STA. 1481+76.1
 GRADE SEPARATION
 RICHMOND ST. PAINESVILLE, OHIO.
 SECOND STAGE OF TEMPORARY BRIDGES
 Sheet # of 19
 N.Y.C.R.R. West Erie Division Plan No. 1092
 Scales as shown July 5, 1940 Val. Sec. 203 File No. 100-93