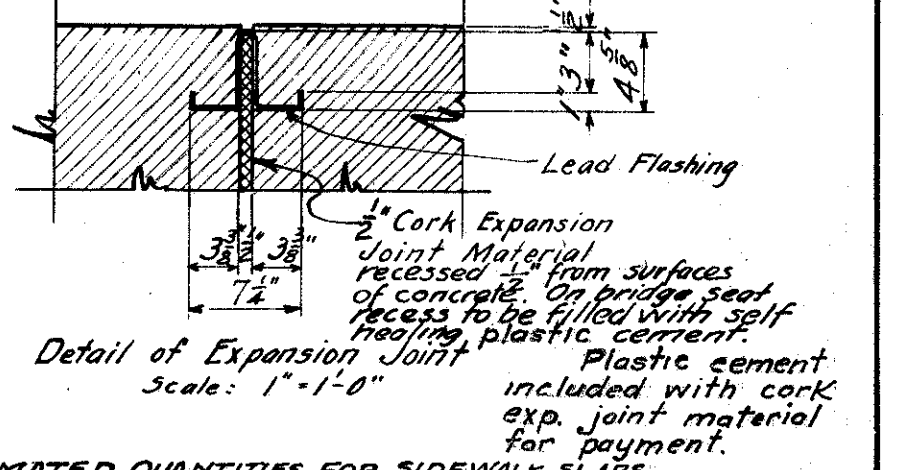
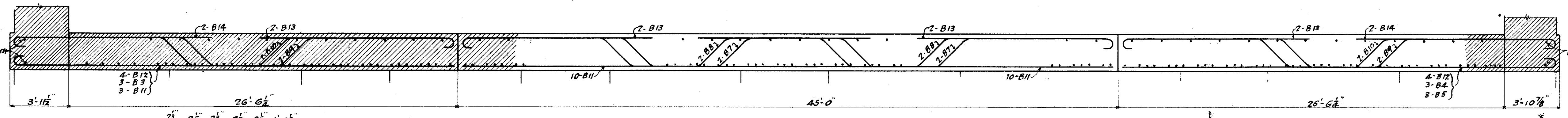
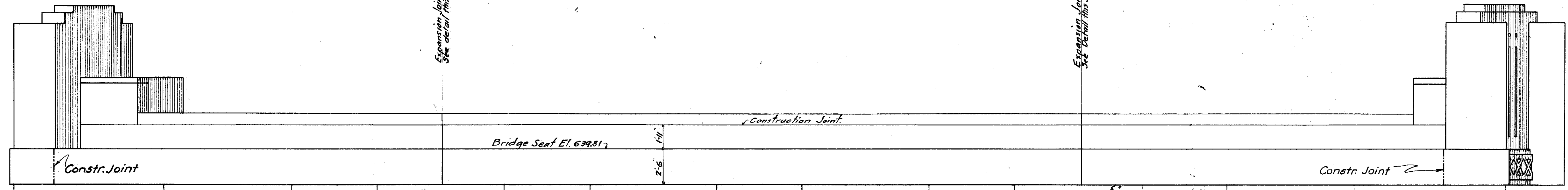


The concrete pylons and manholes are not to be poured until after the steel bridge has been slid into permanent position.

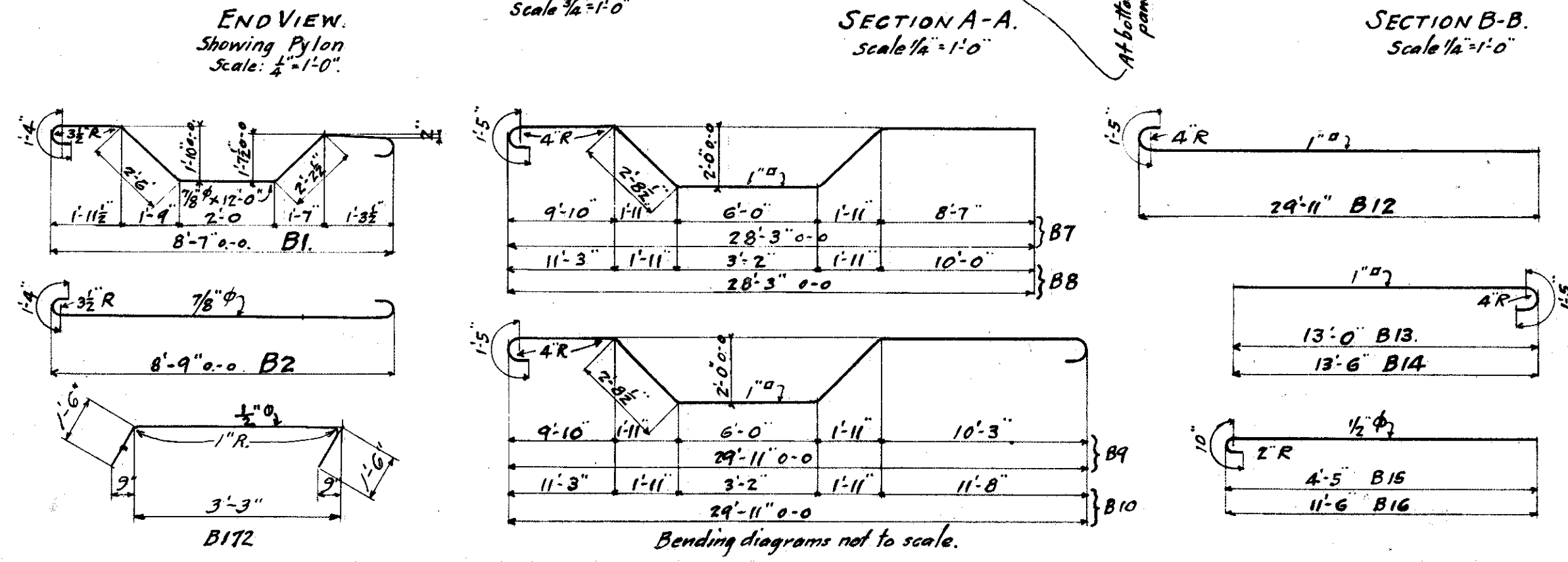
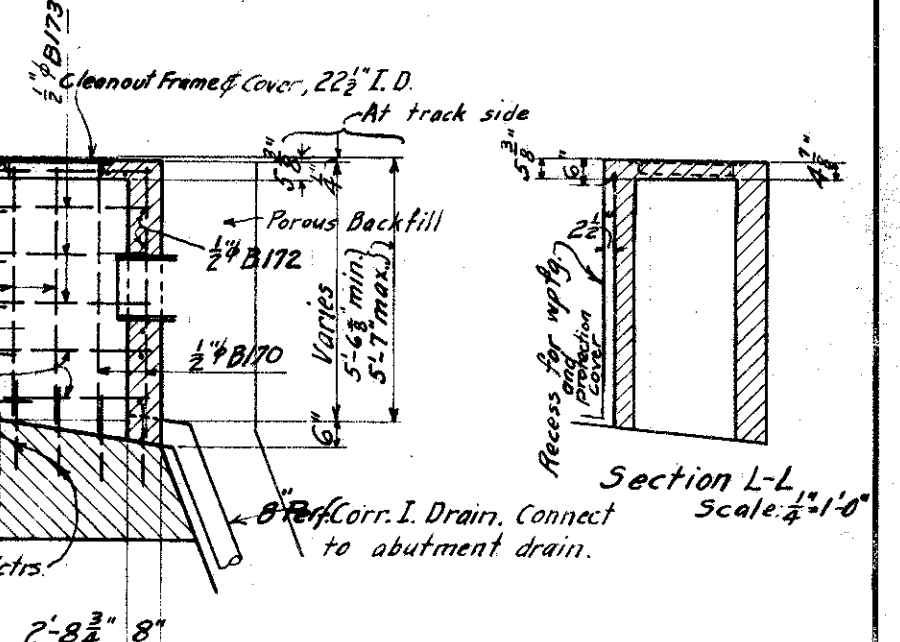
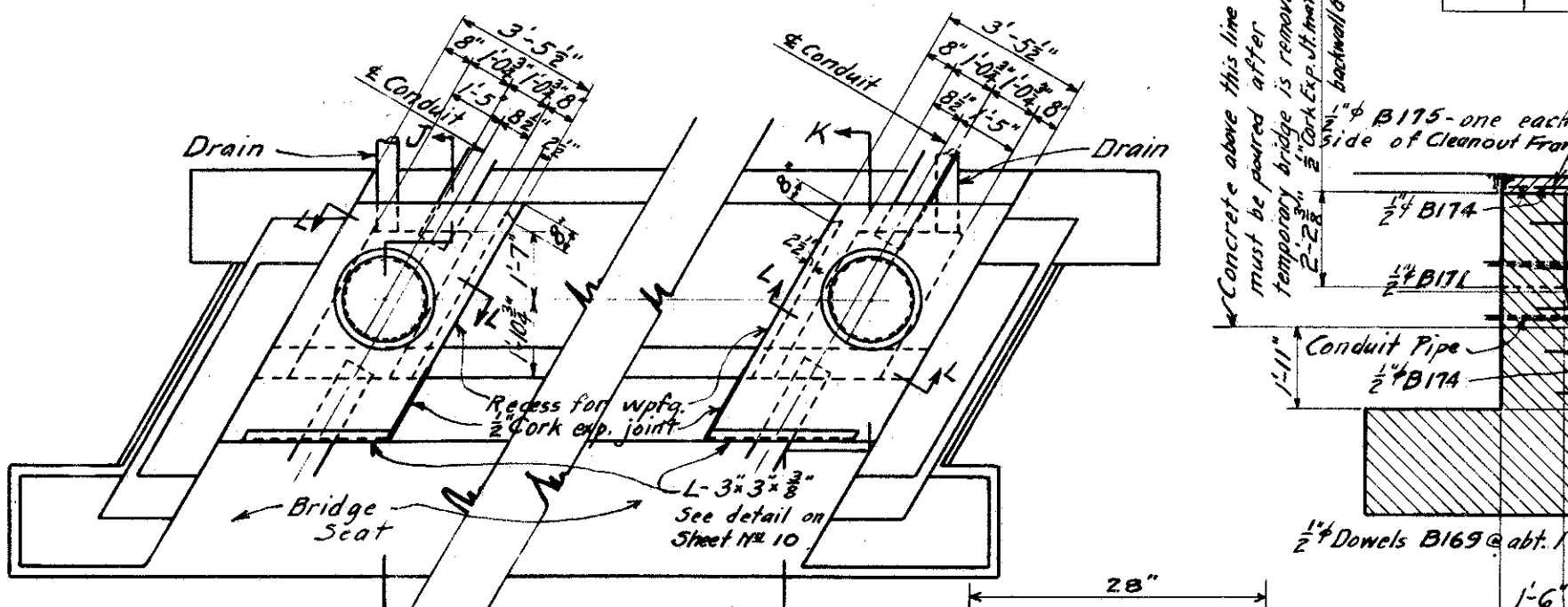
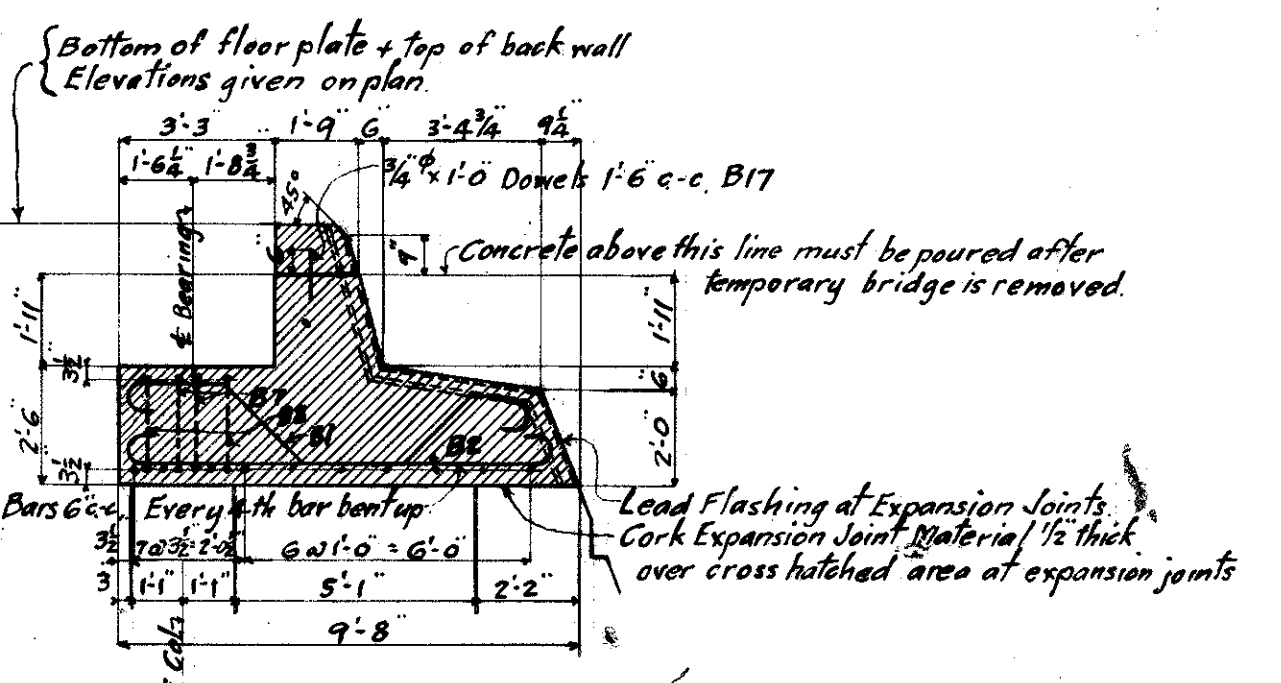
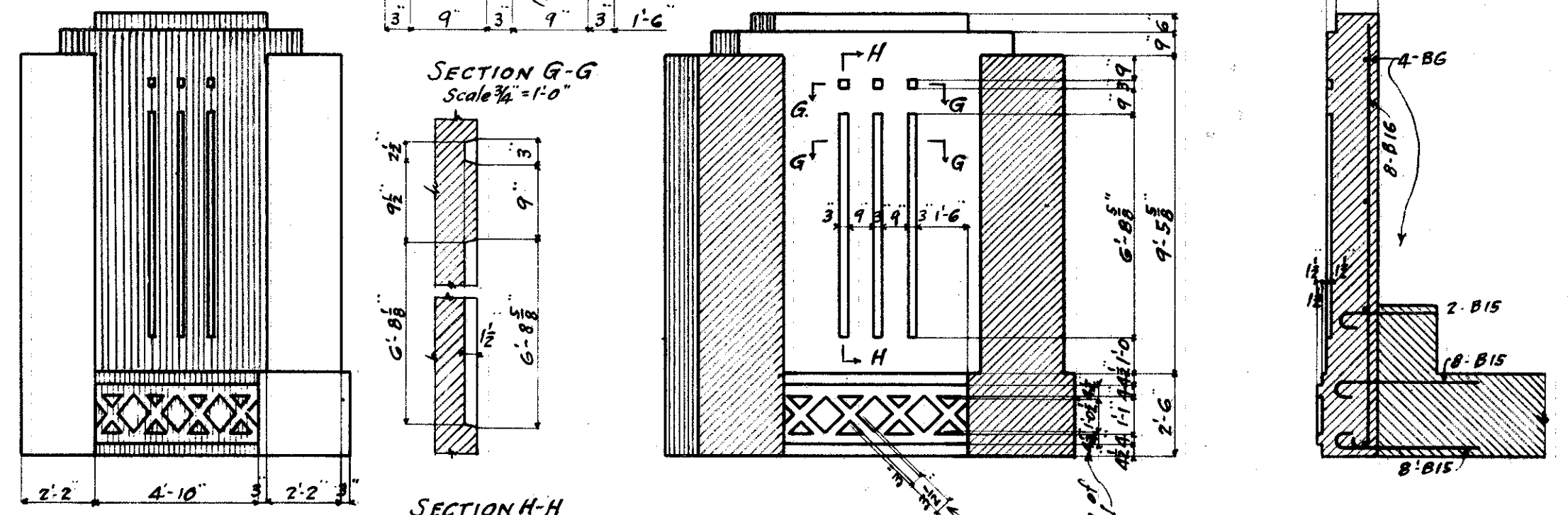
Anchor bolts shall be set before concrete slab is poured, according to plan to be furnished by steel contractor. A template shall be used to insure accuracy.



ESTIMATED QUANTITIES FOR SIDEWALK SLABS

Item	Description	Amount
51	Class "C" Concrete, Slab over Sidewalk	2.5 B Cu. Yds.
54	Reinf. Steel, def. bars, Structural Interlocking	21,691 Lbs.
59	Lead Flashing (15" Wide, 7.5" sq. Ft.)	35 Lin. Ft.
39	1/2" Cork Expansion Joint Material	110 Sq. Ft.
1-B	Cleanout Frames and Covers	4 Units

SLABS OVER BOTH SIDEWALKS ARE ALIKE, EXCEPT AS NOTED



BILL OF BARS FOR BOTH SIDE WALK SLABS:

No	Size	Mark	Description	Location	Wt.
92	7/8"	B1	As detailed	12'-0" Sec. C-C	2256
186	7/8"	B2	As detailed	10'-9" Plan	6284
6	1"	B3	Straight	75'-0"	449
6	1"	B4	"	75'-0"	557
6	1"	B5	"	29'-0"	592
16	1/2"	B6	"	8'-0" Sec. B-B	86
8	1"	B7	As detailed	30'-10" Sec. E-E	839
8	1"	B8	"	30'-10"	839
8	1"	B9	"	35'-6"	911
8	1"	B10	"	35'-6"	911
46	1"	B11	Straight	28'-0"	3759
16	1"	B12	As detailed	20'-11"	762
16	1"	B13	"	14'-0"	394
8	1"	B14	"	14'-0"	394
68	1/2"	B15	"	5'-0" Sec. B-B	227
30	3/4"	B16	"	12'-0"	240
130	3/4"	B17	Straight	1'-0" Sec. C-C	195
8	1/2"	B18	"	2'-2" Sec. E-E	12

BILL OF BARS FOR 4 MANHOLES:

No	Size	Mark	Description	Location	Wt.
80	1/2"	B189	Straight	2'-0"	2256
24	1/2"	B190	"	5'-9"	92
16	1/2"	B191	"	5'-3"	56
20	1/2"	B192	As detailed	6'-2"	83
40	1/2"	B193	Straight	3'-9"	60
40	1/2"	B194	"	3'-3"	87
8	1/2"	B195	"	6'-3"	33

BILL OF REPLACEMENT BARS:

No	Size	Mark	Description	Location	Wt.
3	1"	RE8	Straight	10'-0"	102
1	1"	RE7	"	8'-0"	21
2	1"	RE6	"	9'-0"	37
1	1"	RE5	"	7'-6"	11
1	1"	RE4	"	6'-6"	7
1	1"	RE3	"	6'-0"	4
1	1"	RE1	"	5'-6"	2

Correct
Approved: _____
Chief Engineer

REVISIONS:

Date	By	Description
3-12-41	State	Test Bars added, Quan. Constr. Jt. Front Elevation

BR. NO. LA-283-170

N.Y.C. System Office of Chief Engineer Chicago, Ill.

BR. No. 100³/₄ ERIE DIVISION STA. 1481+76.1

GRADE SEPARATION
RICHMOND ST. PAINESVILLE, OHIO
MASONRY PLAN-SIDEWALK SLABS.

Sheet 7 of 19
N.Y.C.R.R. West, Erie Division Plan No. 1096
Scales as shown July 5, 1940 Val. Sec. 203 File No. 100-97