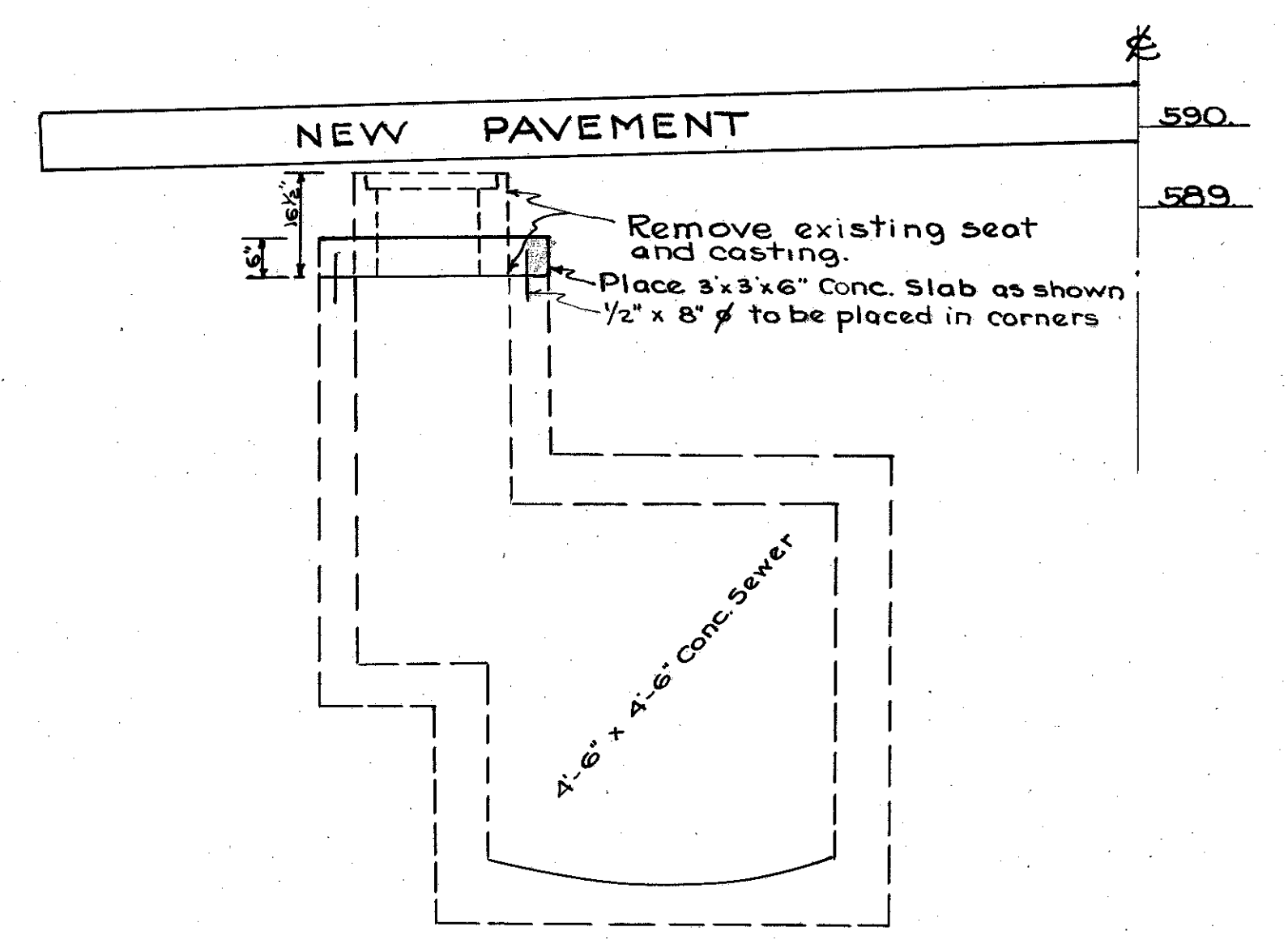
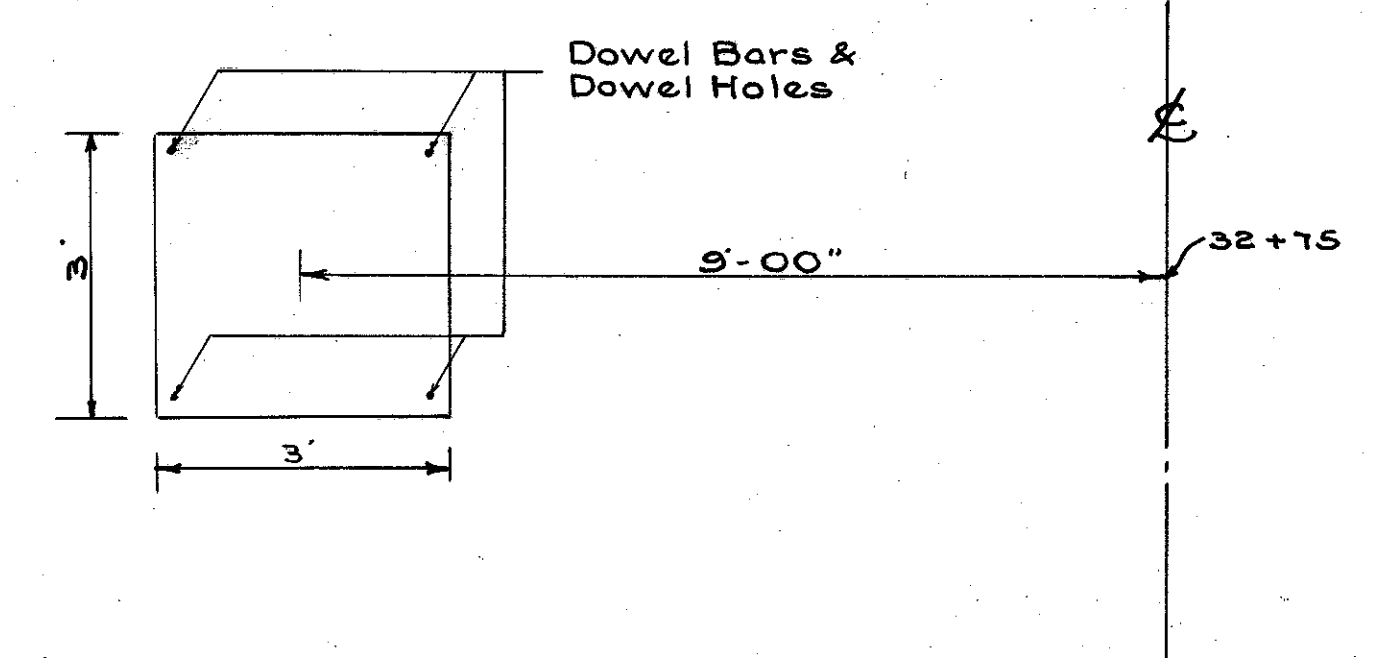


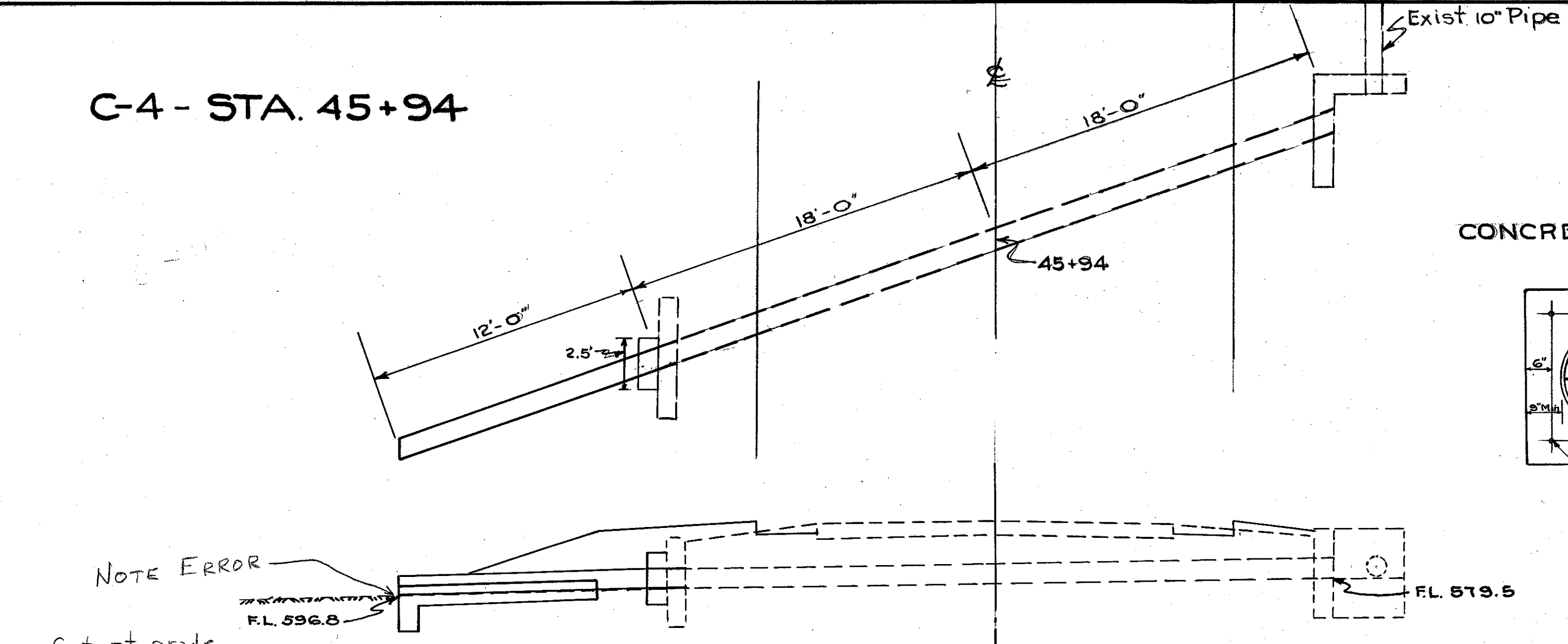
LAKE COUNTY
S.H. 520 SEC. PAINESVILLE (PT)
S.H. 744 SEC. PAINESVILLE (PT)
& FAIRPORT (PT)



ESTIMATED QUANTITIES
S-23 Dowel Holes 4 Each
S-1 Concrete for Structures Class E 0.2 Cu.Yds
S-22 Removal of Port. of Exist. Masonry. 0.2 Cu.Yds
Cost of Dowel Bars in place included in price of Concrete.

C-1 STA. 32 + 75

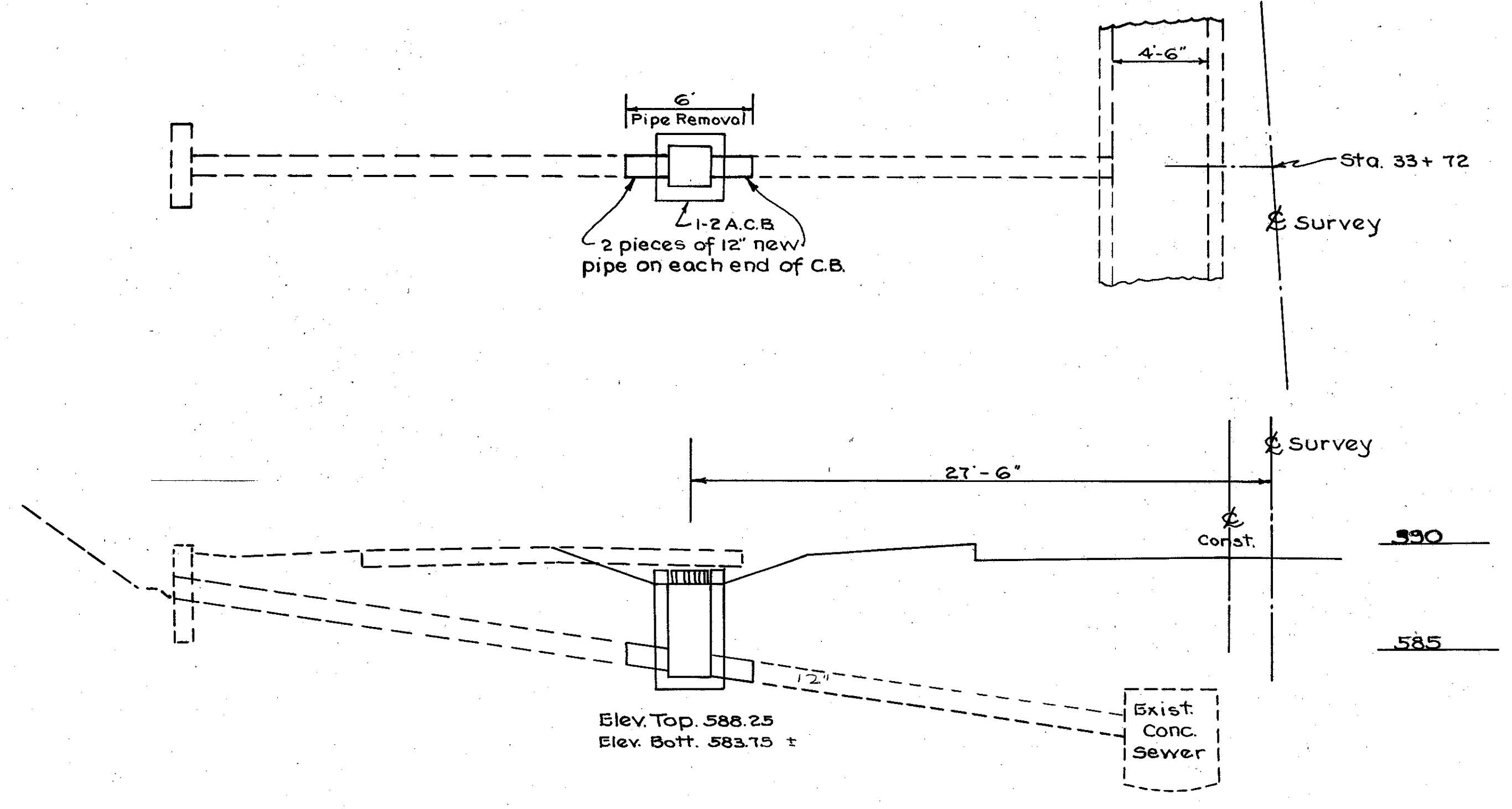
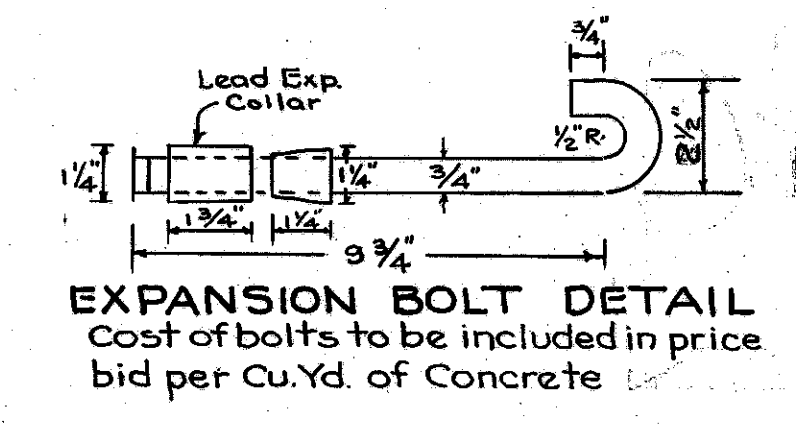
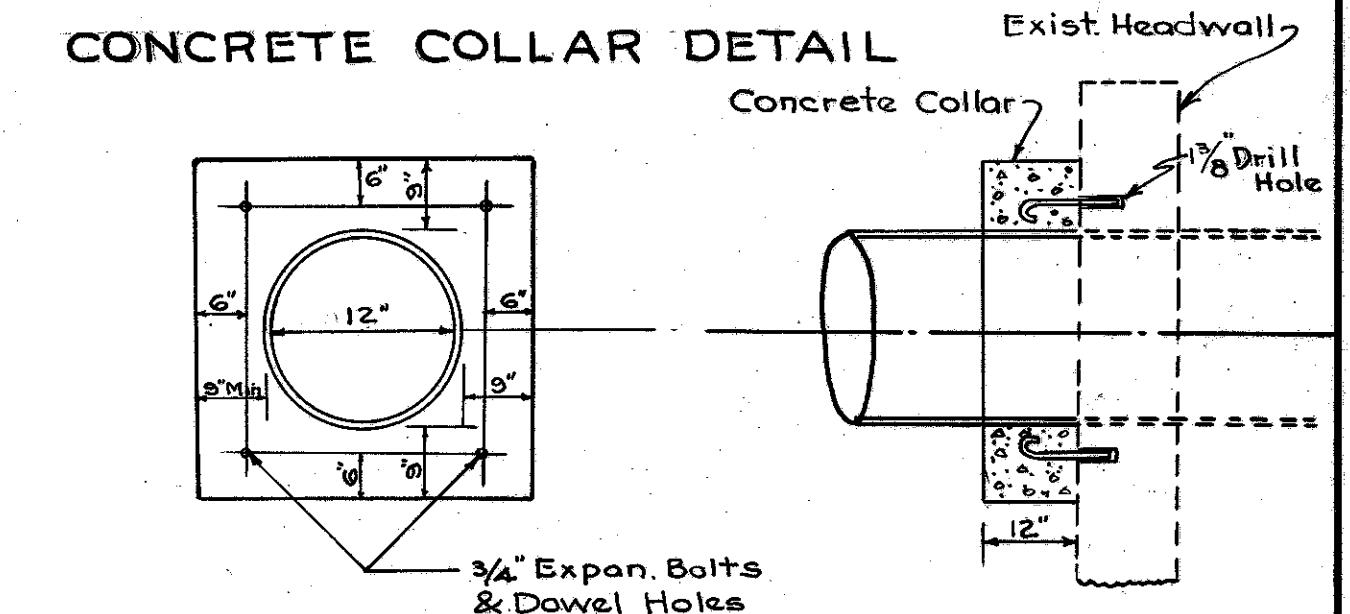
C-4 - STA. 45+94



NOTE ERROR
Set at grade of old Culvert

CULVERT DATA
Type: Pipe Culvert Extension.
Size: 12" x 12"
Work Required: Extend existing 12" x 36" pipe culvert, 12' left. Build concrete collar and cradle as shown above.

ESTIMATED QUANTITIES
12" Culvert Pipe 12 Lin. Ft.
Class "E" Concrete 0.8 Cu.Yd.
Excavation 3. Cu.Yds.
Dowel Holes 4 Each



WORK REQUIRED: Build 1-2A C.B. over existing culvert, 27'-6" left of Sta. 33+72

ESTIMATED QUANTITIES
1-2A C.B. 1 Each.
Pipe Removal (15'± Under) & Stored 6. Lin. Ft.
12" Pipe 4. Lin. Ft.
Excavation 5. Cu.Yds.

C-2 - STA. 33 + 72

60 50 40 30 20 10 0