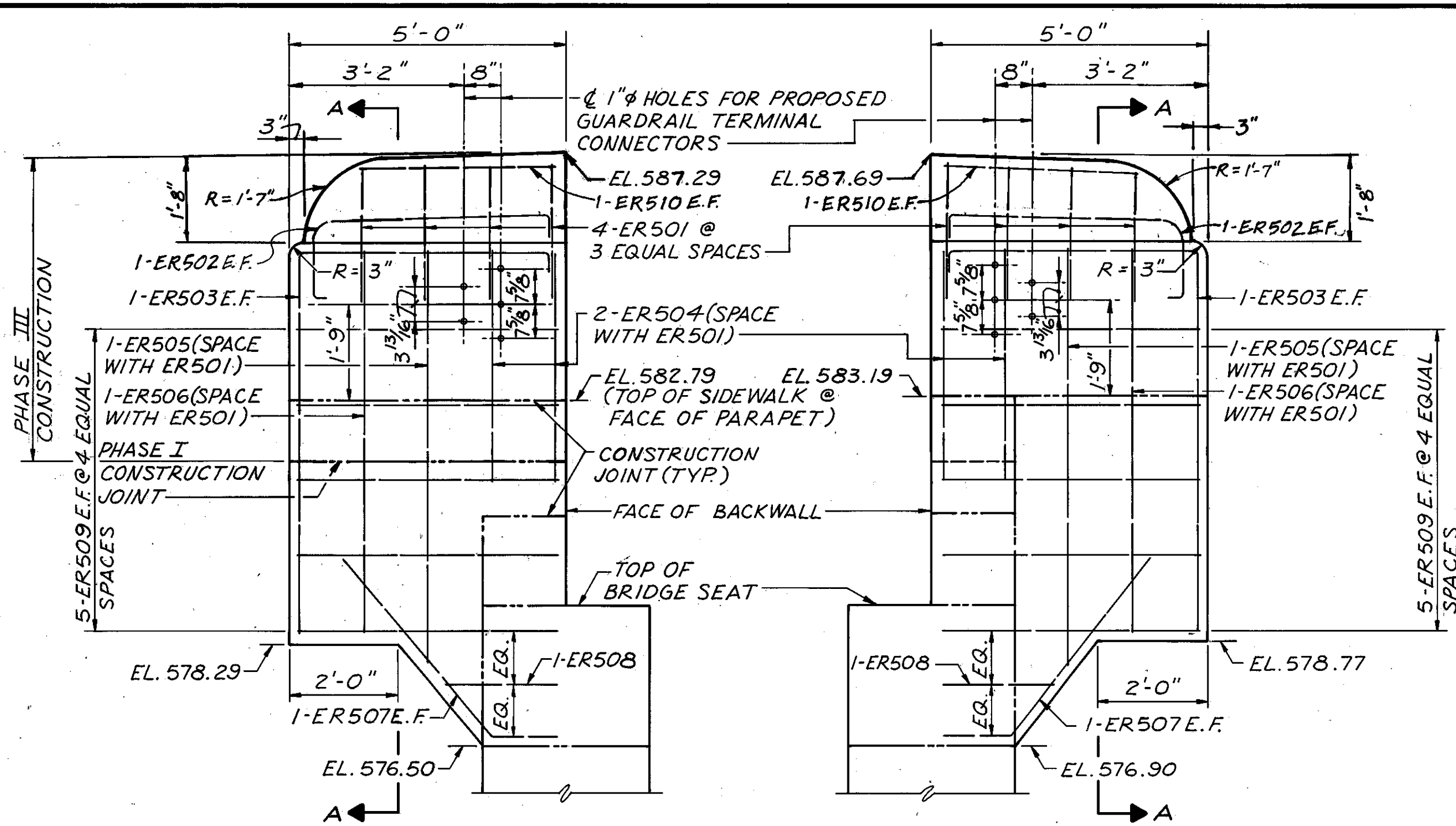


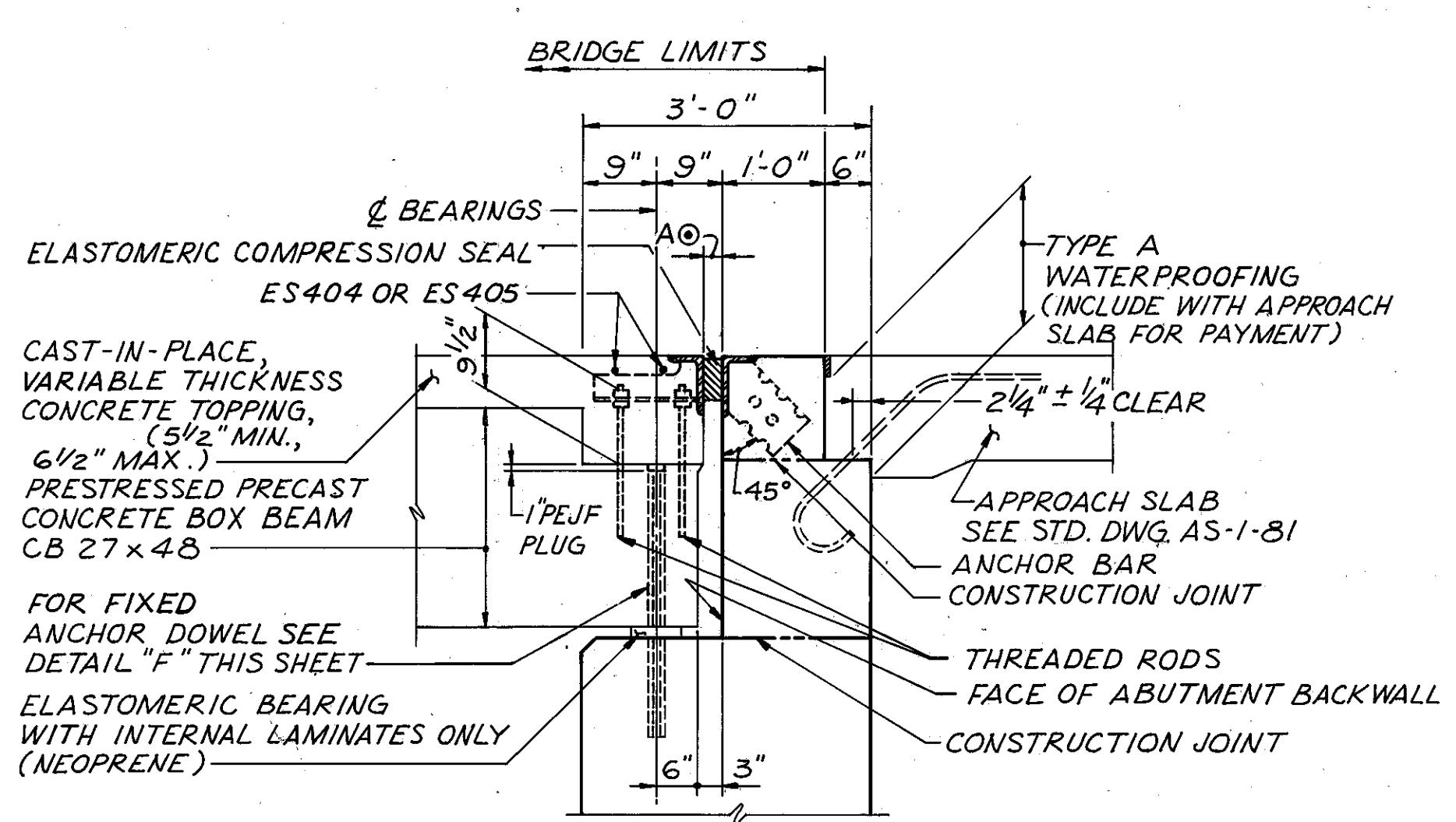
LAKE COUNTY  
LAK-283-II.65



**ELEVATION**  
REAR ABUTMENT-LEFT  
TERMINAL SHOWN -  
LEFT FORWARD SIMILAR

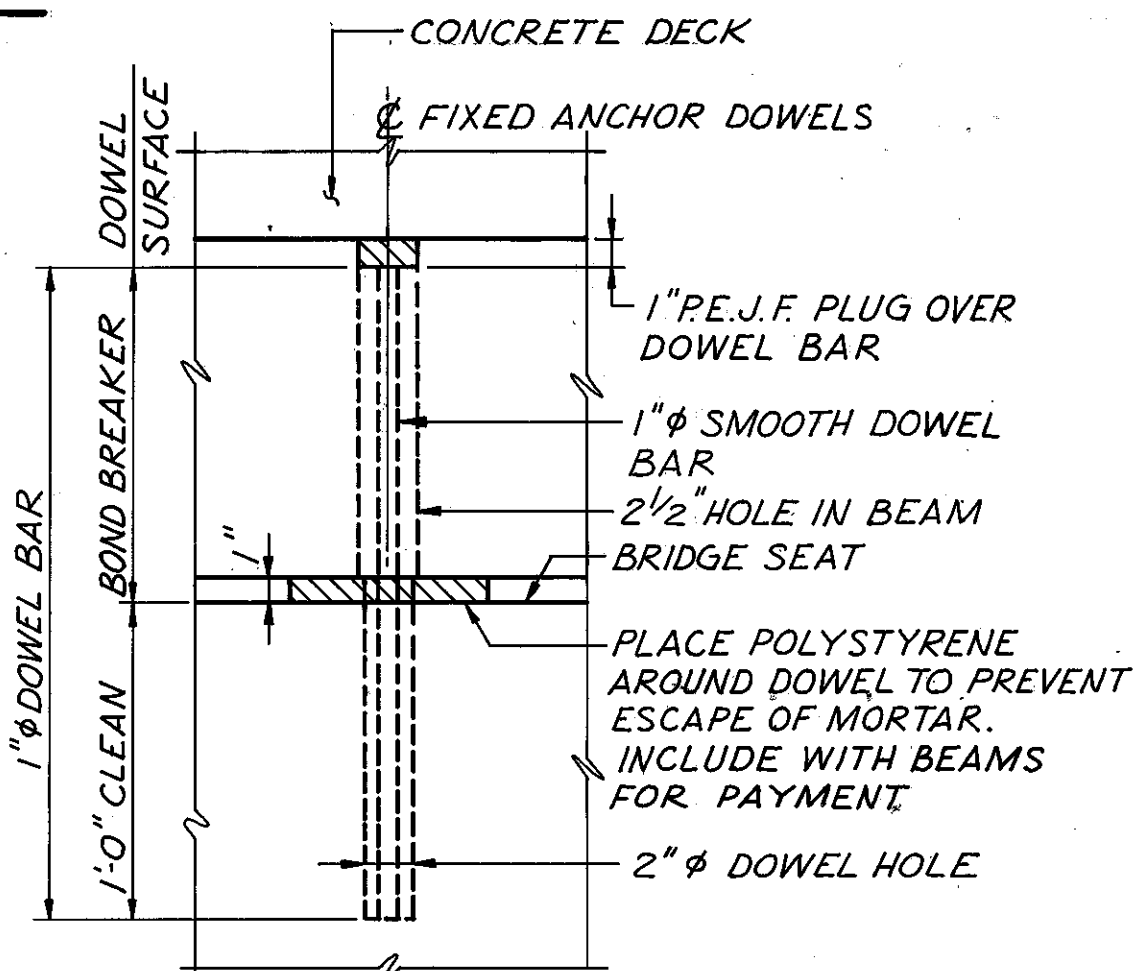
**ELEVATION**  
FWD. ABUTMENT-RIGHT  
TERMINAL SHOWN -  
RIGHT REAR SIMILAR

**PARAPET TERMINAL DETAILS**



NOTES: 1. SEE EXJ-3-82 FOR INFORMATION NOT SHOWN.  
2. THREADED RODS AND ANCHOR DOWELS TO BE  
ELIMINATED WITHIN BOX BEAM WITH CONDUITS.

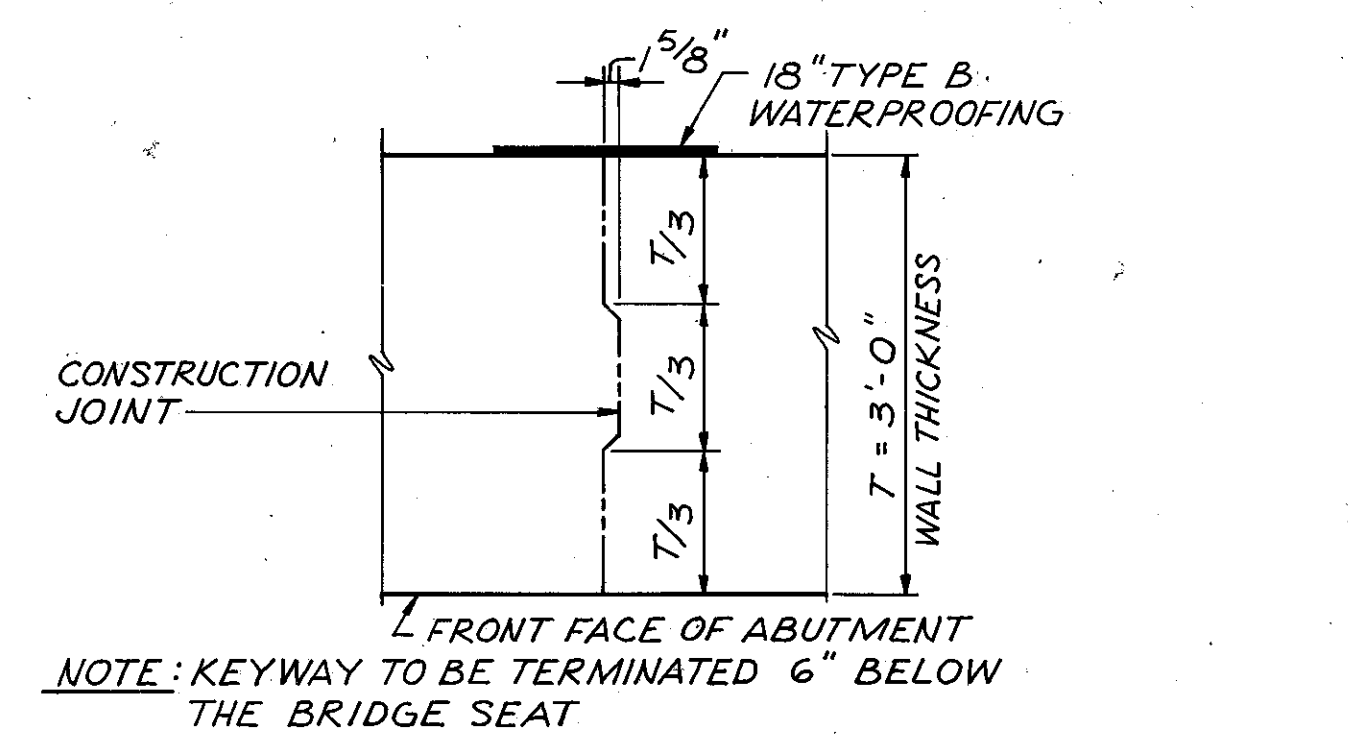
**DECK JOINT DETAIL "E"**  
(REAR ABUTMENT SHOWN)



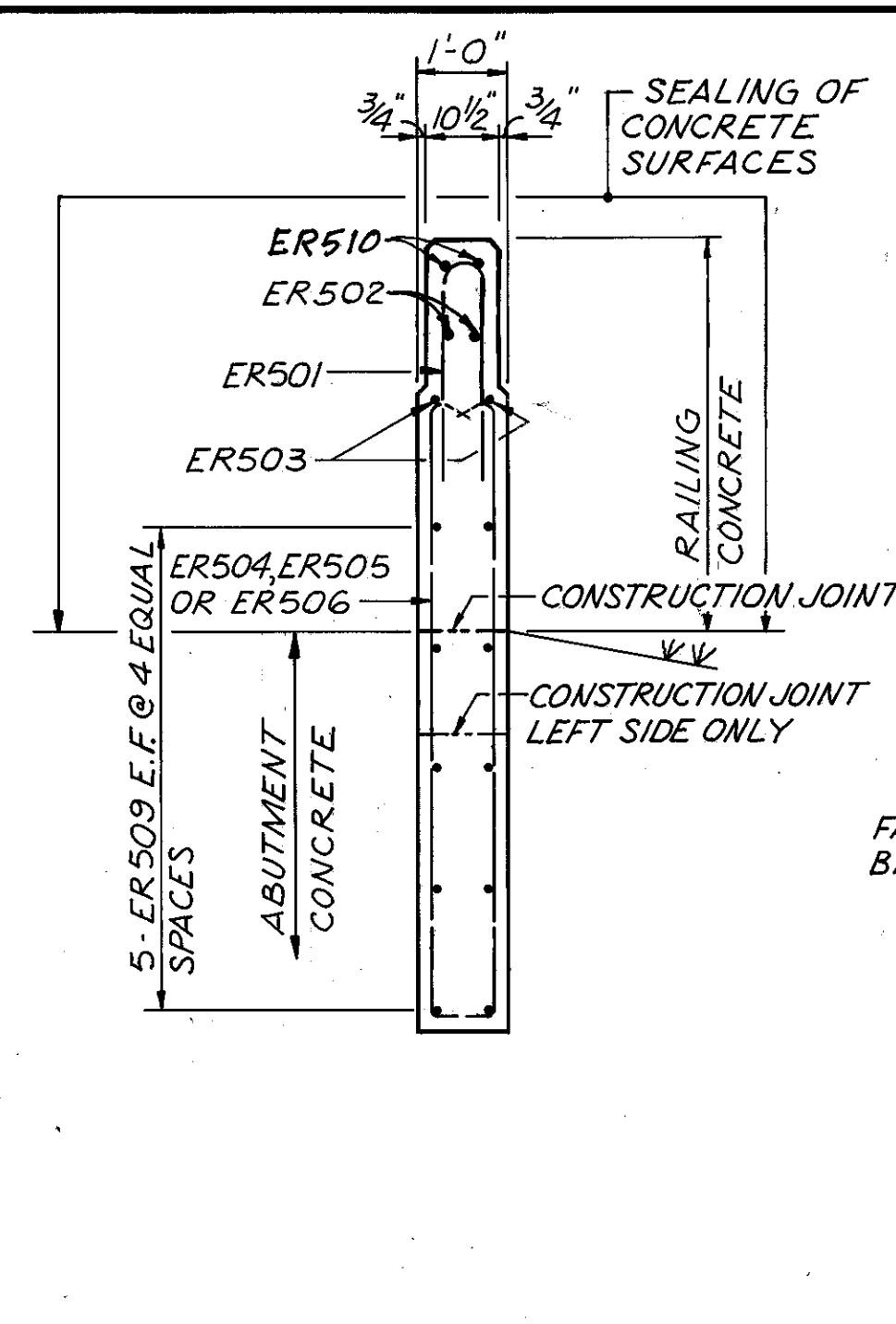
PROCEDURE: PLACE POLYSTYRENE GROUT RETAINER,  
DRILL AND CLEAN DOWEL HOLE. THEN PLACE  
NON-SHRINKING GROUT, DOWEL AND 1"  
MINIMUM THICKNESS P.E.J.F. PLUG.

**FIXED ANCHOR DOWEL DETAIL "F"**

DIM. A @ (INCHES)	TEMPERATURE (°F)						
	30°	40°	50°	60°	70°	80°	90°
	2 <sup>5</sup> / <sub>16</sub>	2 <sup>5</sup> / <sub>16</sub>	2 <sup>1</sup> / <sub>4</sub>	2 <sup>1</sup> / <sub>4</sub>	2 <sup>1</sup> / <sub>4</sub>	2 <sup>3</sup> / <sub>16</sub>	2 <sup>3</sup> / <sub>16</sub>

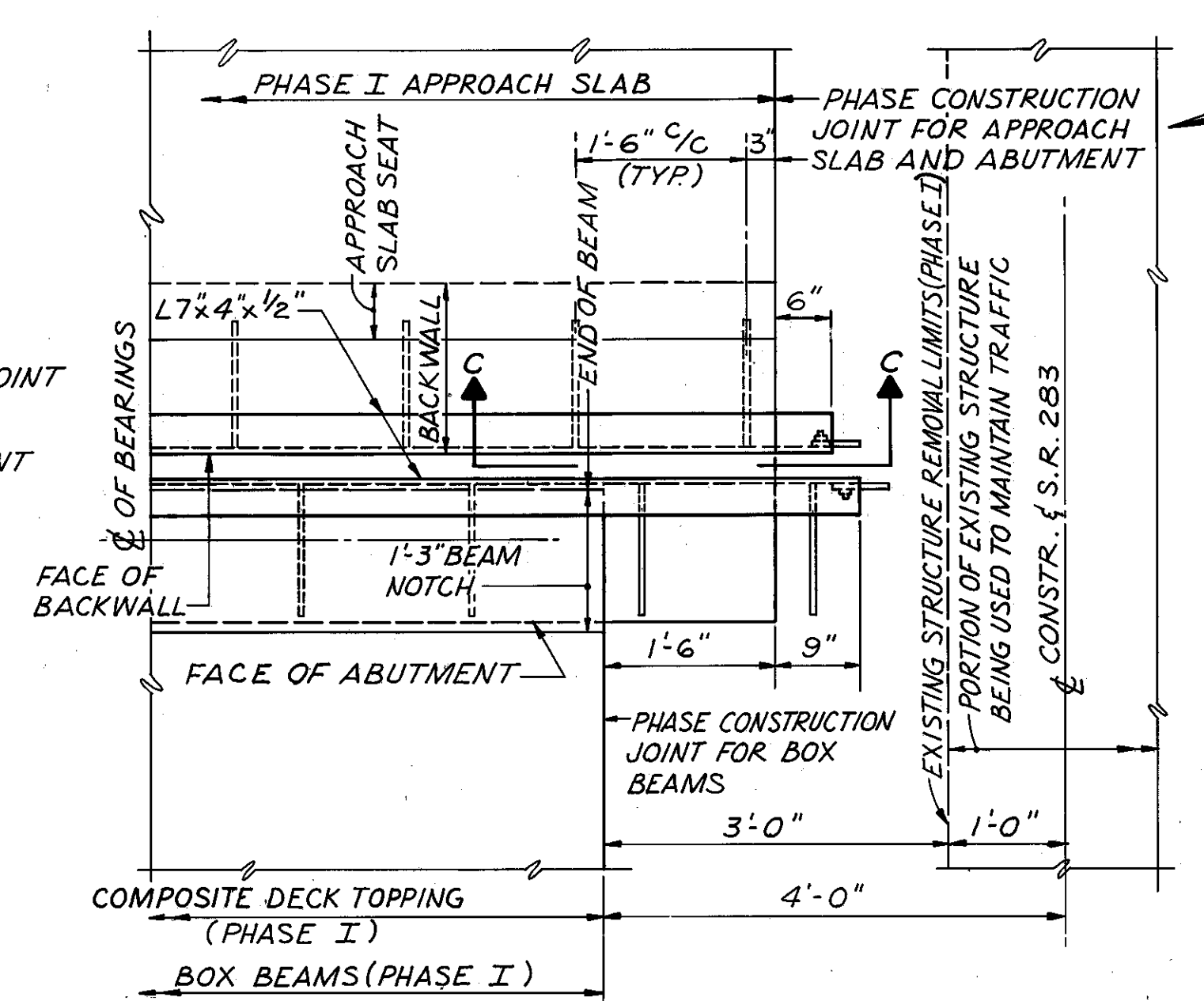


**PHASE CONSTRUCTION JOINT DETAIL "J"**

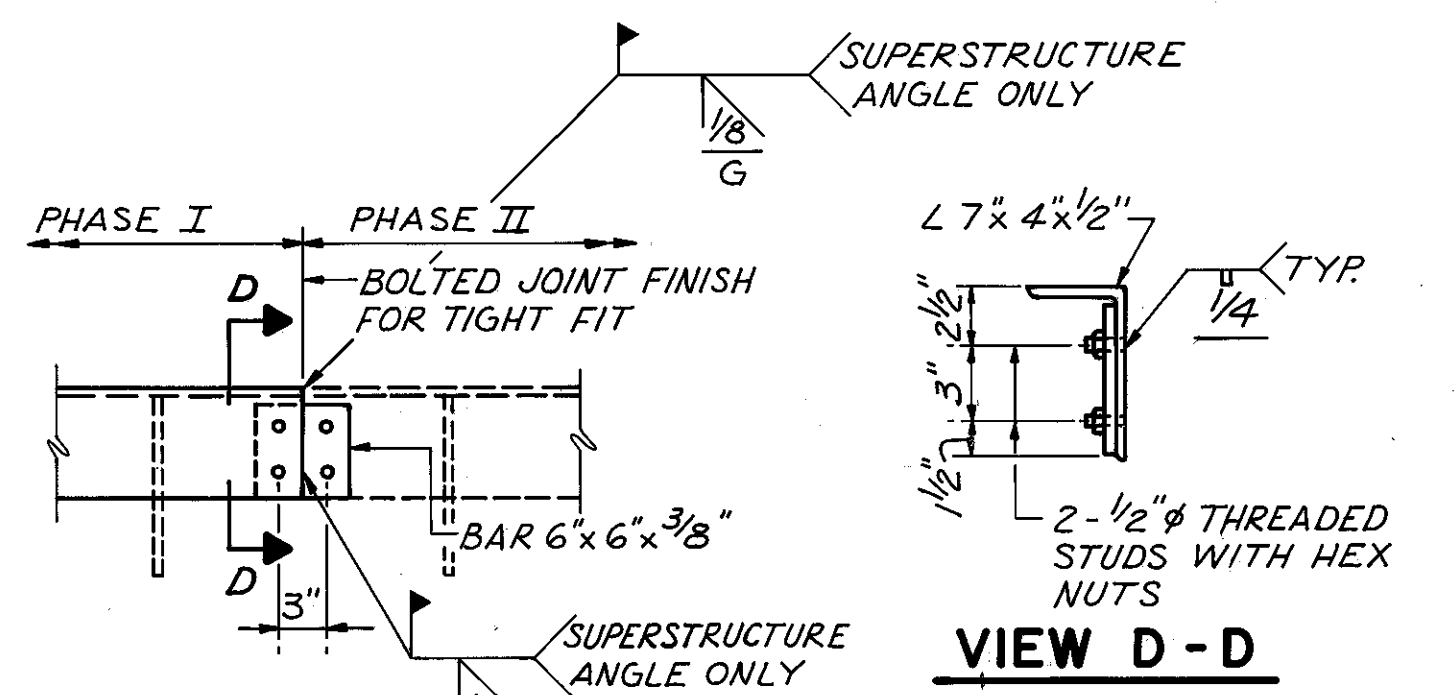


**SECTION A-A**

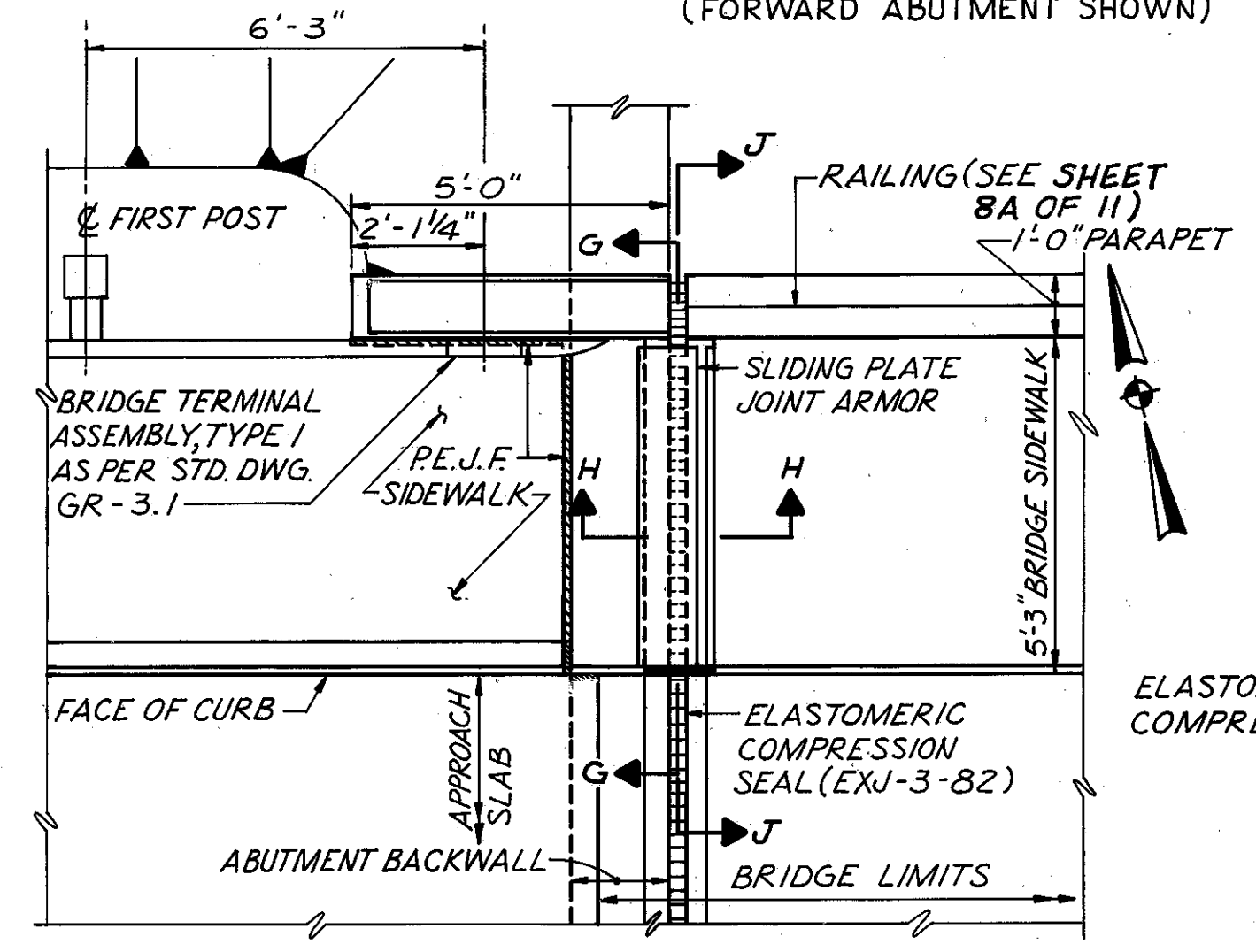
NOTE: JOINT SEAL SHALL BE INSTALLED IN ONE CONTINUOUS  
PIECE AFTER COMPLETION OF JOINT ARMOR INSTALLATION.



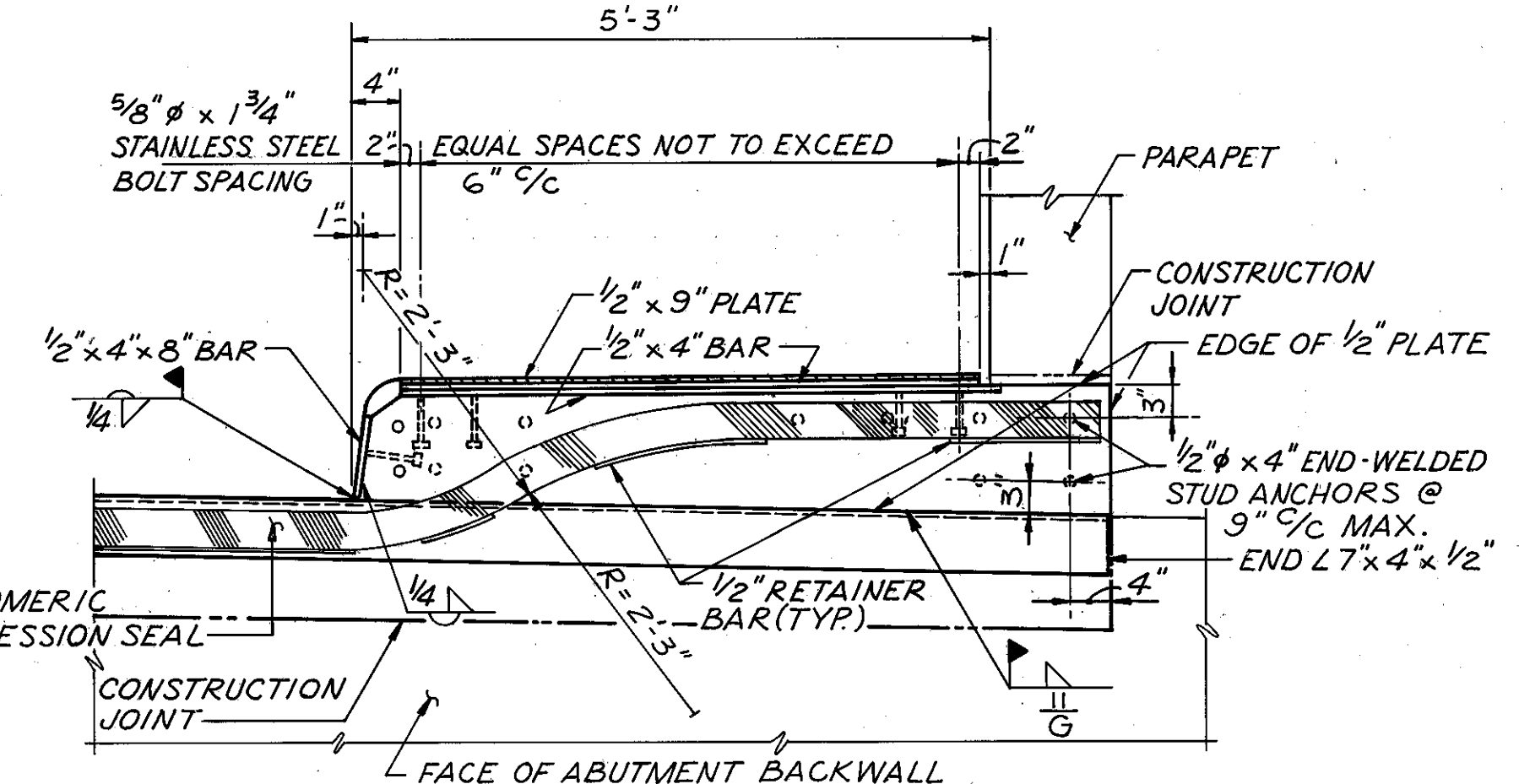
**PARTIAL PLAN AT ABUTMENT DETAIL "B"**  
(FORWARD ABUTMENT SHOWN)



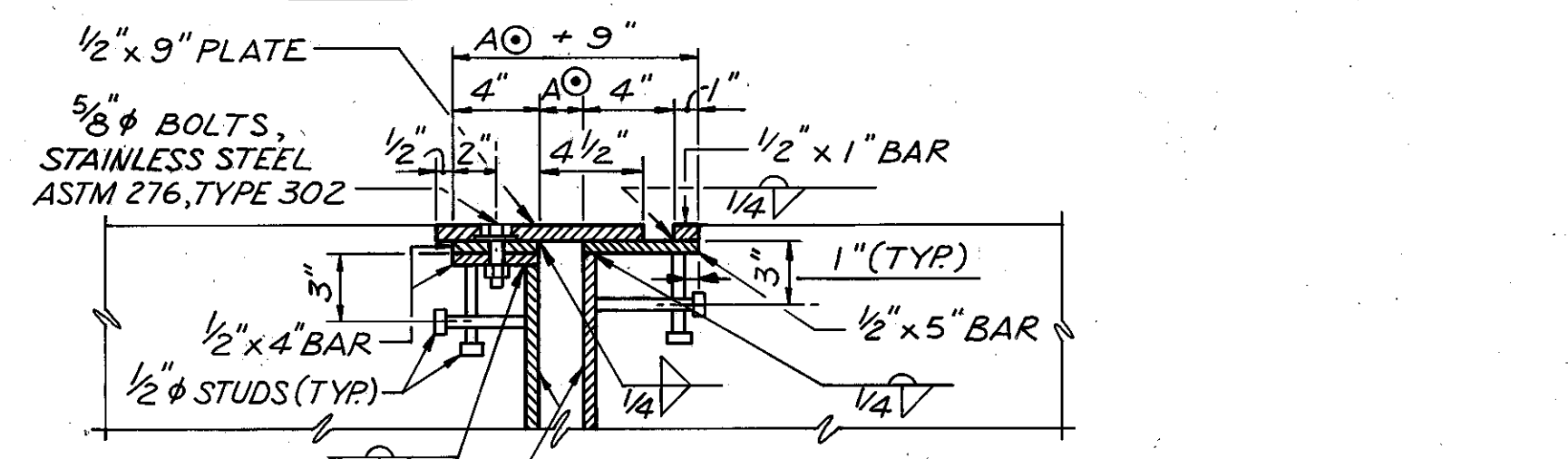
**SECTION C-C**



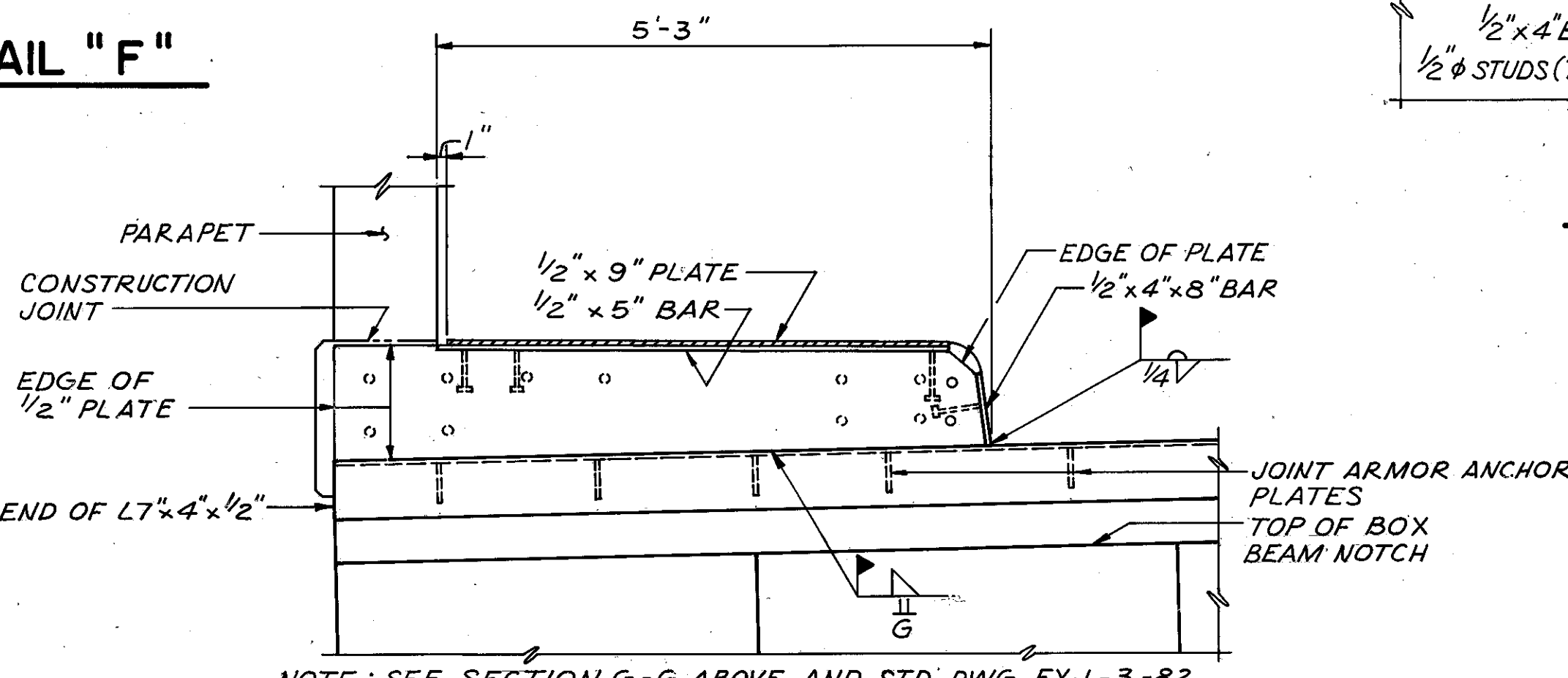
**PARTIAL PLAN AT ABUTMENT**  
(LEFT REAR ABUTMENT SHOWN, LEFT FORWARD SIMILAR)  
(SEE STD. DWG. EXJ-3-82 FOR SECTIONS ON  
RIGHT SIDE)



**SECTION G-G**



**SECTION H-H**



**SECTION J-J**  
NOTE: SEE SECTION G-G ABOVE AND STD. DWG. EXJ-3-82  
FOR INFORMATION NOT SHOWN.

JOHN E. FOSTER AND ASSOCIATES, INC. 6/11  
2999 Payne Ave., Cleveland, Ohio 44114

**REAR AND FORWARD  
ABUTMENT DETAILS**  
BRIDGE NO. LAK-283-II.65  
SR 283 OVER  
MENTOR MARSH

LAKE COUNTY STA. 5+89.50  
DATE 6+54.50

DESIGNED	DRAWN	TRACED	CHECKED	REVIEWED	DATE	REVISED
S.I.A.	D.M.T.	-	L.I.	H.S.S.	1/93	7/95