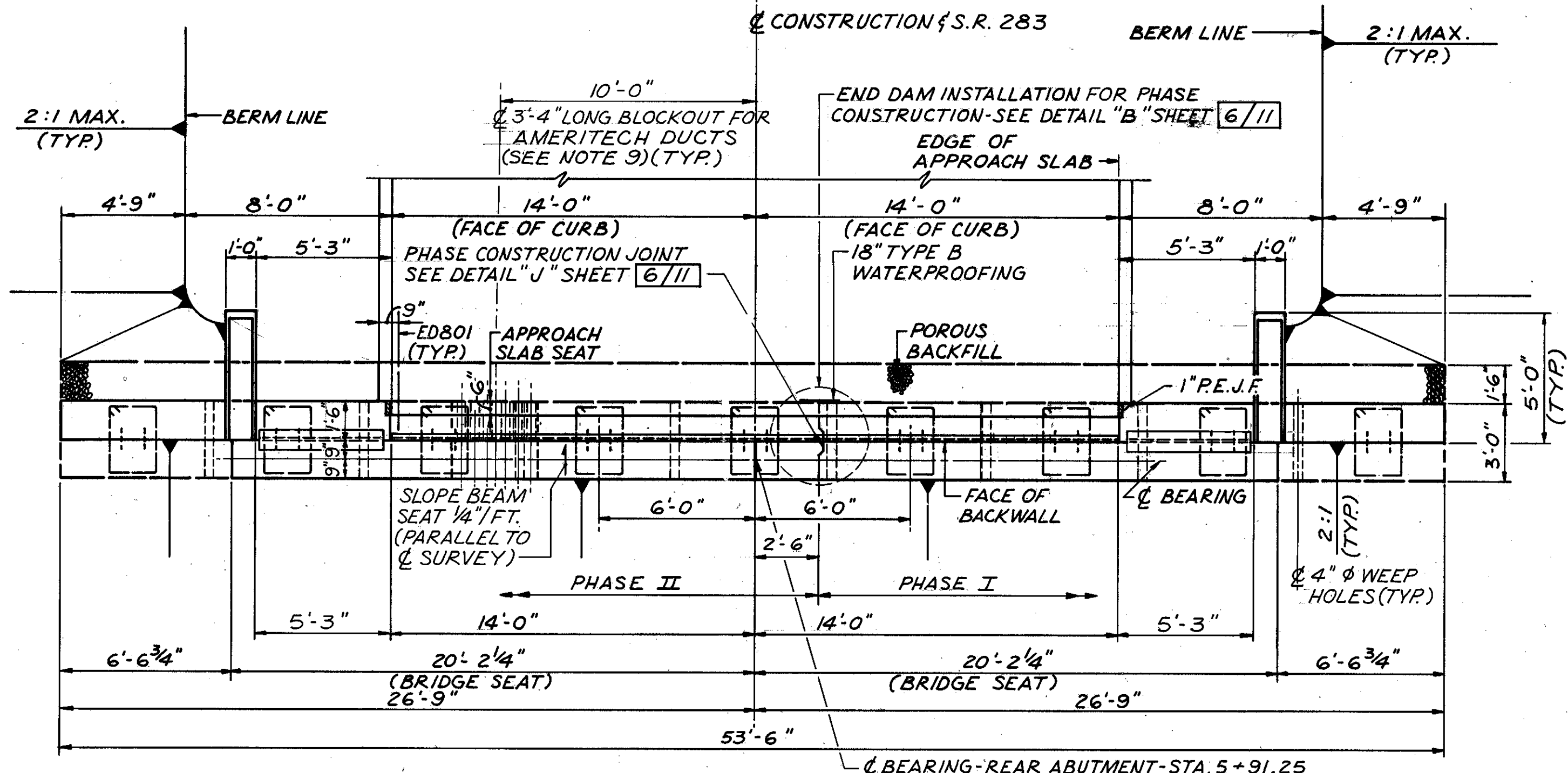
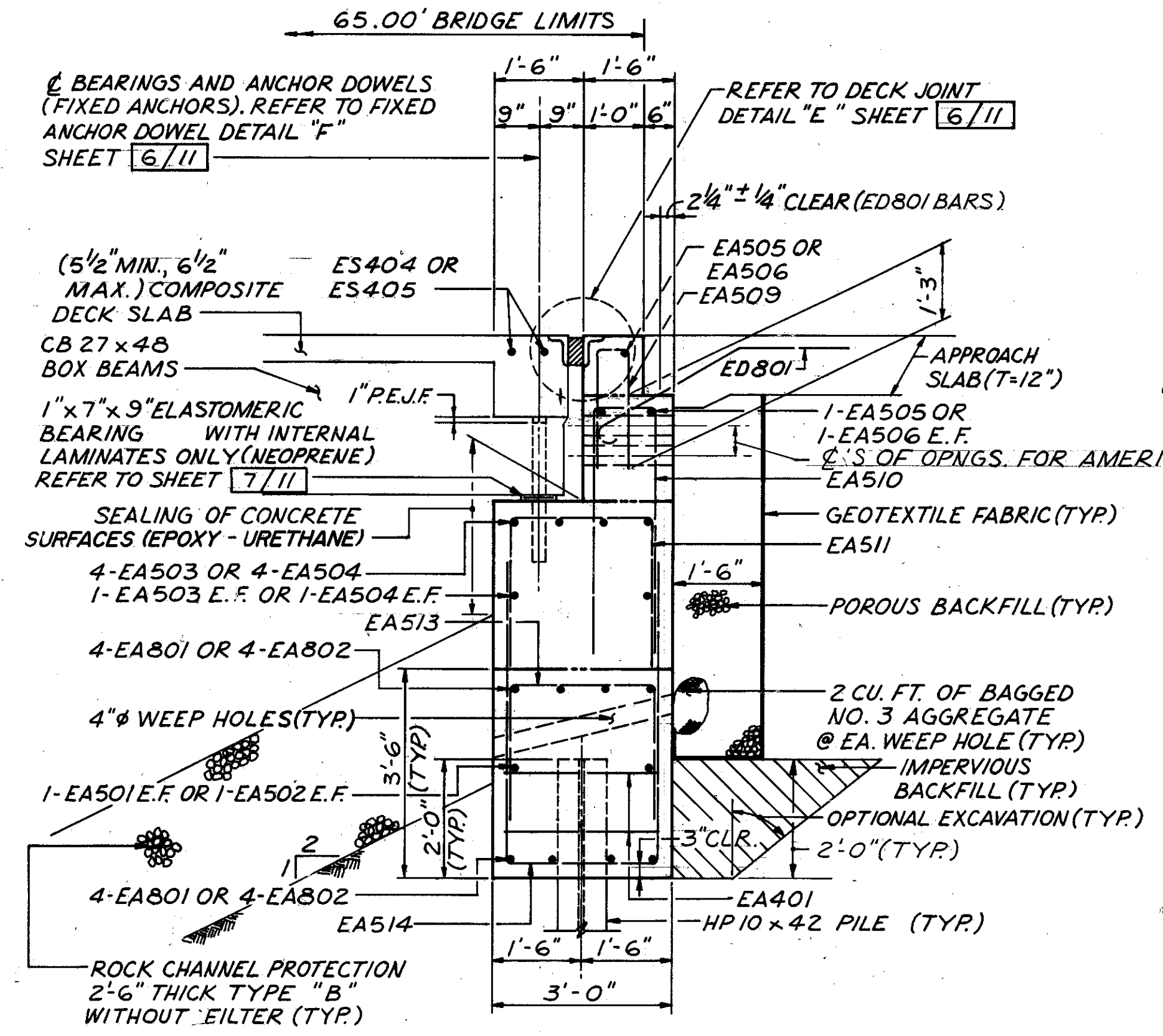


ELEVATIONS AND DIMENSIONS												
LOCATION	†A	B	†C	D	†E	†F	G	H	I	J	K	O
R. ABUT.	582.03	579.16	582.07	579.20	581.85	581.85	578.89	578.89	581.64	581.75	573.00	587.29

NOTE: SEALING OF CONCRETE SURFACES AND POROUS BACKFILL IN SECTION B-B SHALL BE THE SAME AS SECTION A-A. FOR 4" SIDEWALK SEE SECTION D-D ON SHEET 5/11.

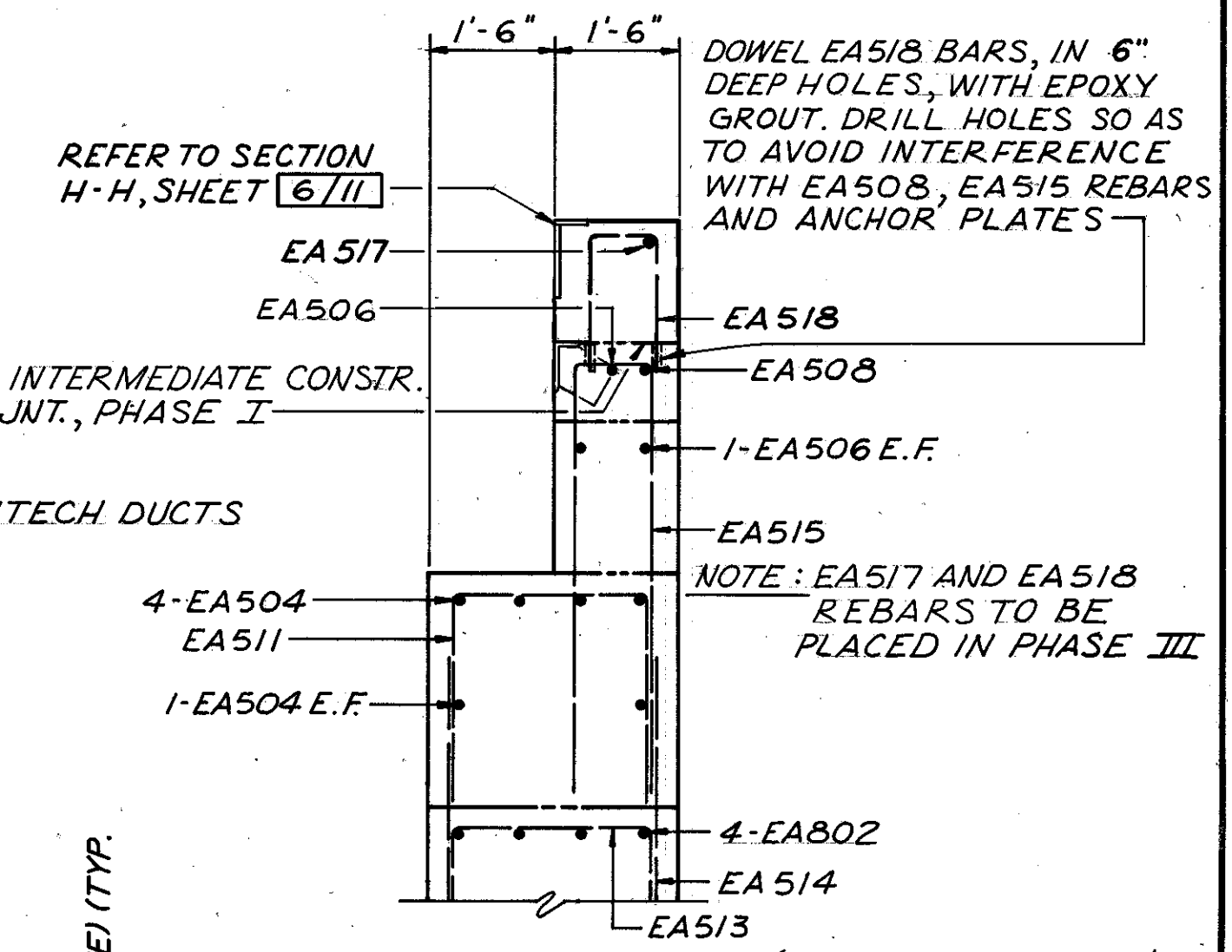


PLAN

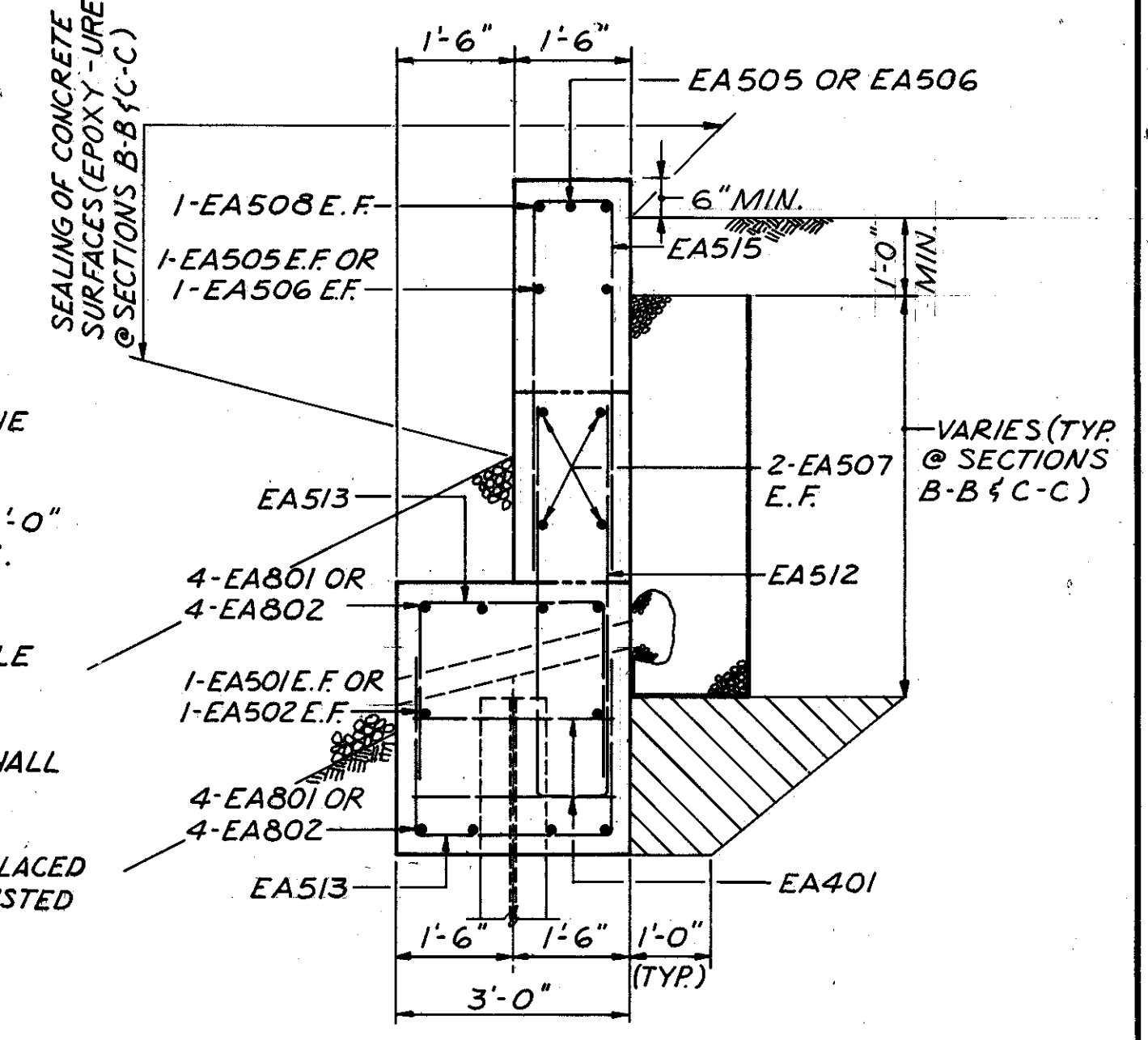


SECTION A - A

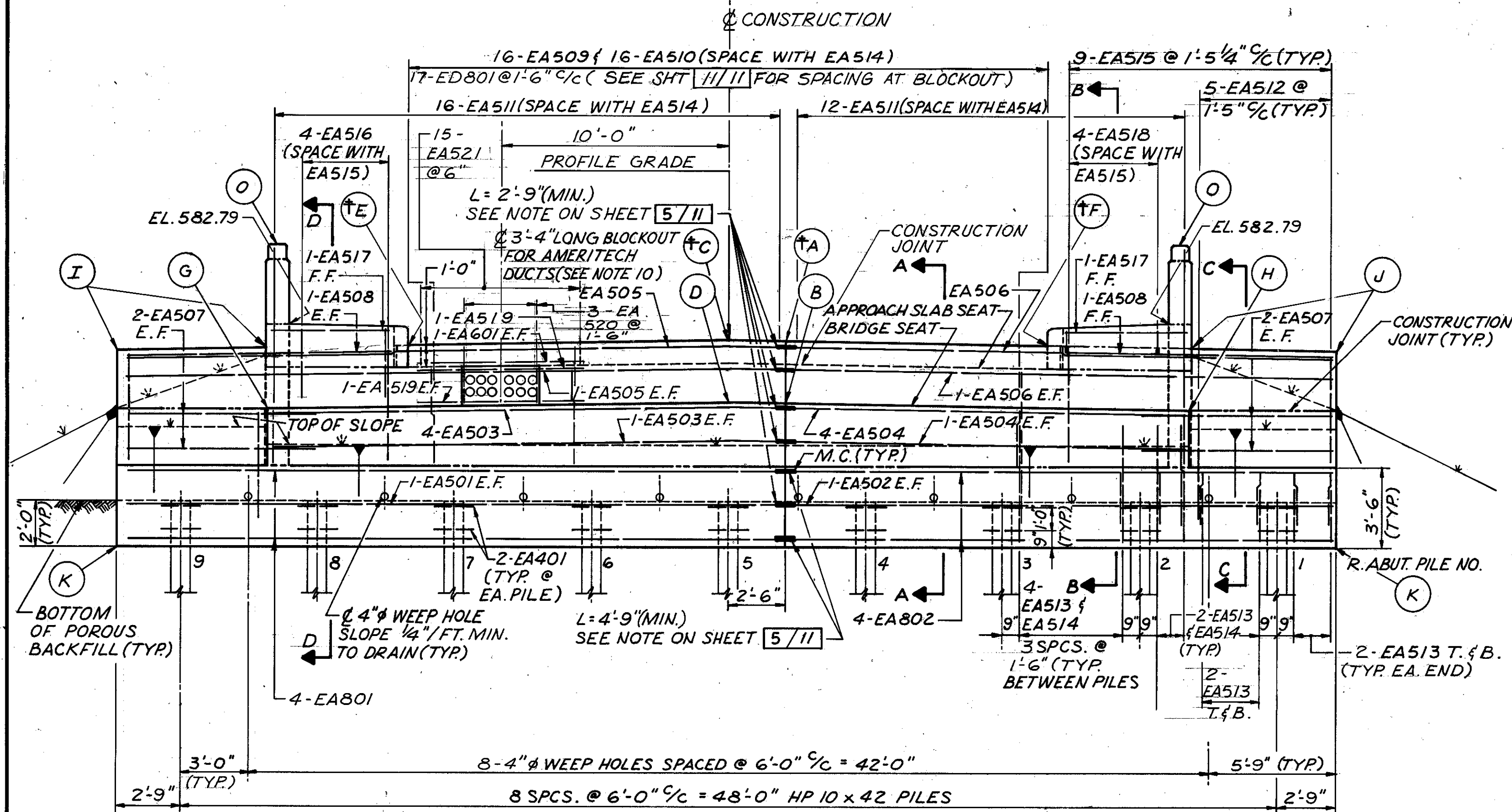
- NOTES**
1. TYPE B WATERPROOFING: A 1'-6" STRIP OF TYPE B WATERPROOFING CENTERED AROUND THE STAGE CONSTRUCTION JOINT SHALL EXTEND FROM THE BOTTOM OF FOOTING UP TO THE APPROACH SLAB SEAT.
 2. POROUS BACKFILL: 1'-6" THICK, SHALL EXTEND UP TO THE PLANE OF THE SUBGRADE, TO 1'-0" BELOW PROPOSED GROUND SURFACE AND LATERALLY TO THE ENDS OF THE WINGWALLS. TWO (2) CU. FT. OF BAGGED NO. 3 AGGREGATE SHALL BE PLACED AT EACH WEEPHOLE.
 3. GEOTEXTILE FABRIC: CONFORMS TO 712.09, TYPE "A" SHALL BE PLACED BETWEEN THE POROUS BACKFILL AND SOIL BACKFILL. WEEPHOLES, BAGGED AGGREGATE AND GEOTEXTILE FABRIC SHALL BE INCLUDED WITH POROUS BACKFILL FOR PAYMENT. EXTEND GEOTEXTILE FABRIC 6" UP ABUTMENT WALL AT BOTTOM.
 4. BRIDGE SEAT REINFORCING: REINFORCING STEEL IN THE VICINITY OF THE BRIDGE SEAT SHALL BE ACCURATELY PLACED TO AVOID INTERFERENCE WITH THE DRILLING OF THE BEARING ANCHOR DOWEL HOLES.
 5. BACKWALL CONCRETE: ABOVE THE APPROACH SLAB SEAT CONSTRUCTION JOINT SHALL NOT BE PLACED UNTIL AFTER THE BEAMS ARE SET, DECK CONCRETE PLACED AND EXPANSION JOINT ADJUSTED AS SPECIFIED.
 6. † = ELEVATIONS GIVEN AT TOP OF JOINT ARMOR.
 7. FOR ADDITIONAL NOTES AND SECTIONS SEE SHEET 5/11.
 8. ABBREVIATIONS:
 - CLR. = CLEARANCE
 - EA. = EACH
 - E.F. = EACH FACE
 - F. ABUT. = FORWARD ABUTMENT
 - MAX. = MAXIMUM
 - M.C. = MECHANICAL CONNECTOR
 - NO. = NUMBER
 - PE.J.F. = PREFORMED EXPANSION JOINT FILLER
 - R. ABUT. = REAR ABUTMENT
 - STA. = STATION
 - T. = THICKNESS
 - TYP. = TYPICAL
 - ⊕ = LAP SPLICE
 - F.F. = FAR FACE
 - T. & B. = TOP AND BOTTOM
 9. FOR DETAILS AND NOTES SEE SHEETS 10 & 11/11.



SECTION B - B (SEE SECTIONS A-A & C-C FOR OTHER DETAILS)



SECTION C - C



ELEVATION

10. AFTER PLACING BOX BEAM WITH CONDUITS AND REMAINING BACKWALL, THE BLOCKOUT SHALL BE FILLED WITH EPOXY GROUT PER CMS 510. PAYMENT SHALL BE INCLUDED IN THE ABUTMENT CONCRETE, ITEM 511.

JOHN E. FOSTER AND ASSOCIATES, INC. 4/11
 2999 Payne Ave., Cleveland, Ohio 44114

REAR ABUTMENT PLAN, ELEVATION, SECTIONS & NOTES
 BRIDGE NO. LAK-283-11.65
 SR 283 OVER MENTOR MARSH

LAKE COUNTY STA. 5+89.50
 STA. 6+54.50

DESIGNED	DRAWN	TRACED	CHECKED	REVIEWED	DATE	REVISED
S.I.A.	D.M.T.	-	L.I.	H.S.S.	1/93	ODOT BRIDGES 2/95