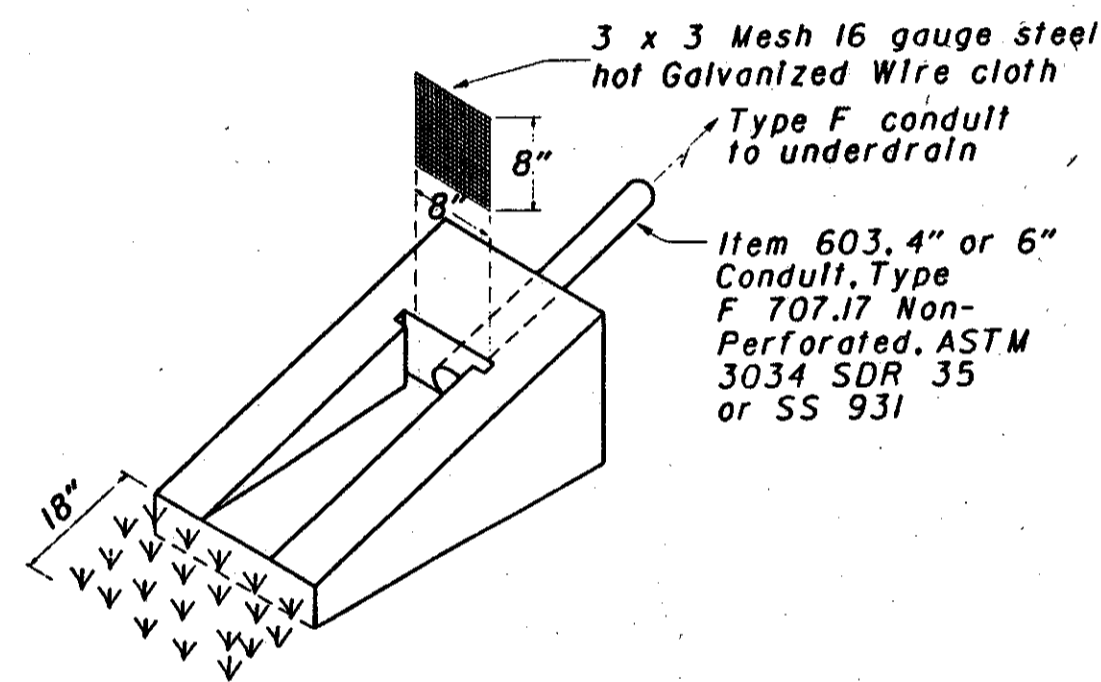
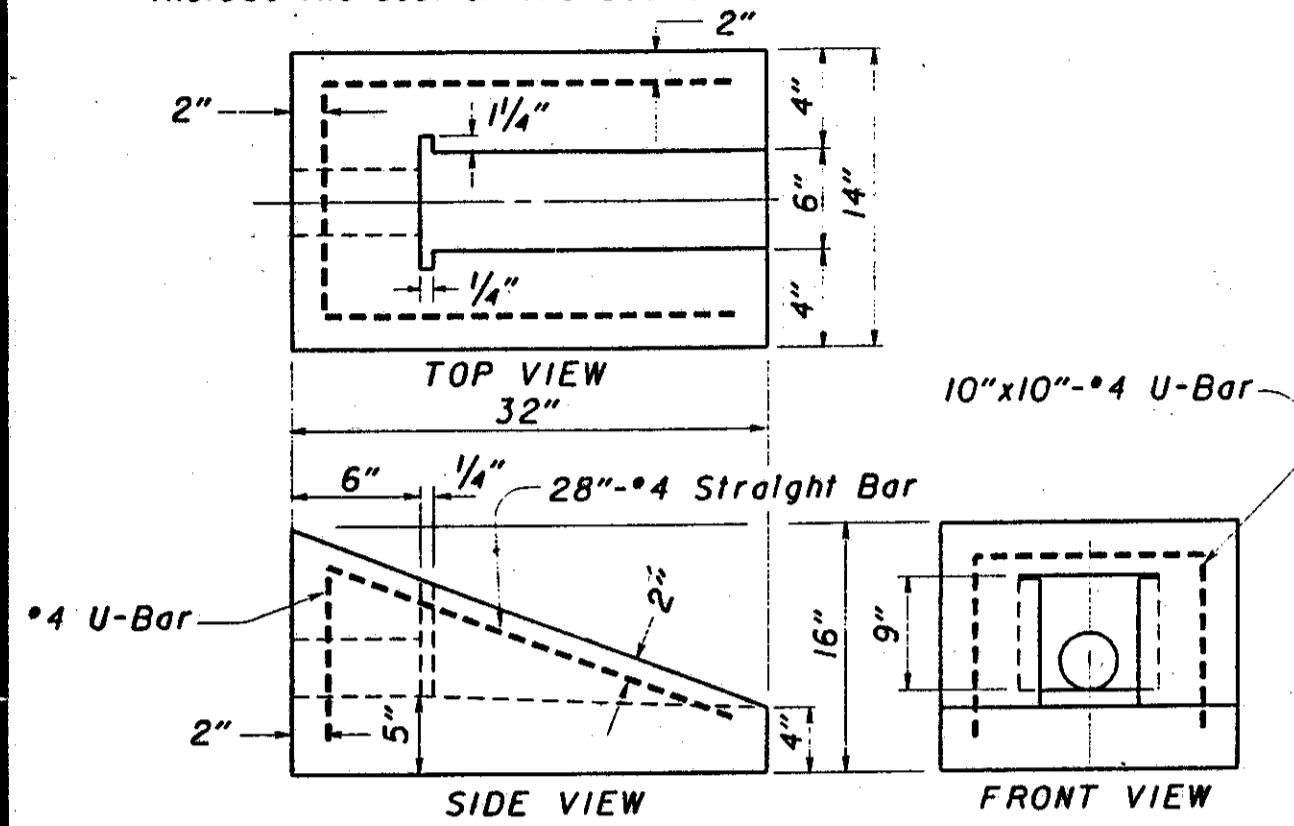


# TYPICAL SECTIONS

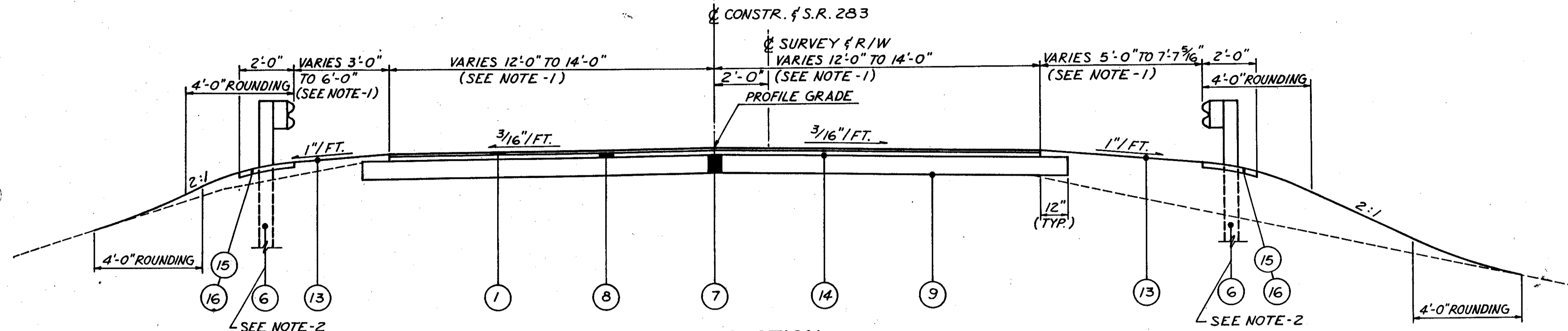
## ITEM SPECIAL - PRECAST REINFORCED CONCRETE OUTLET

The Concrete outlet shall meet the requirements of Item 604 in the Construction & Materials Specifications. Payment shall be made on an Each basis. Payment shall include the cost of the Sod & Wire Cloth.



NOTE: The Sod shall be in accordance with Item 660 and staked at each corner approximately 3 inches in from the edge.

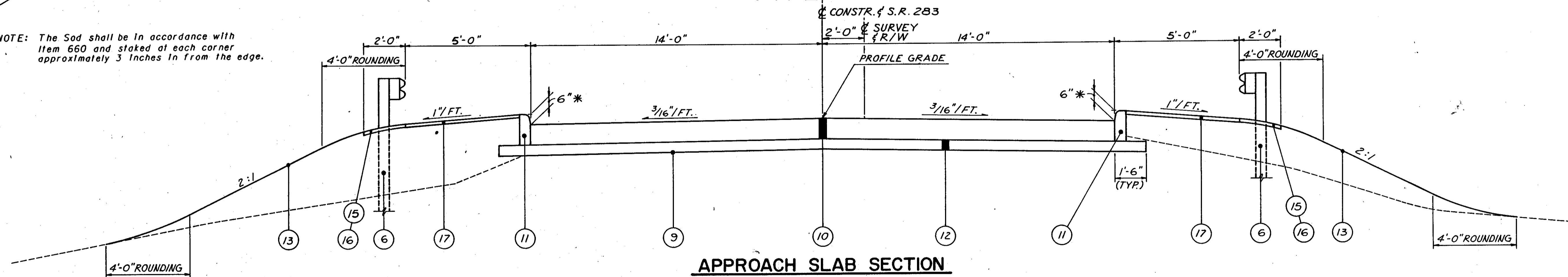
## TYPE 404



### NORMAL SECTION

STA. 4+37.88 TO STA. 5+74.50 = 136.62 LIN. FT.  
STA. 6+69.50 TO STA. 7+78.45 = 108.95 LIN. FT.  
TOTAL = 245.57 LIN. FT.

## TYPE 611



### APPROACH SLAB SECTION

STA. 5+74.50 TO STA. 5+89.50 = 15 LIN. FT.  
STA. 6+54.50 TO STA. 6+69.50 = 15 LIN. FT.  
TOTAL = 30 LIN. FT.

\* VARY CURB HEIGHT 0" TO 6" IN 10'.

### NOTES

1. FOR STATIONS SEE PLAN SHEET 6.
2. PROPOSED GUARDRAIL TYPE 5 FROM STA. 4+00 TO STA. 5+89.50 AND FROM STA. 6+54.50 TO STA. 8+00.00.
3. FOR LEGEND SEE SHEET 2.