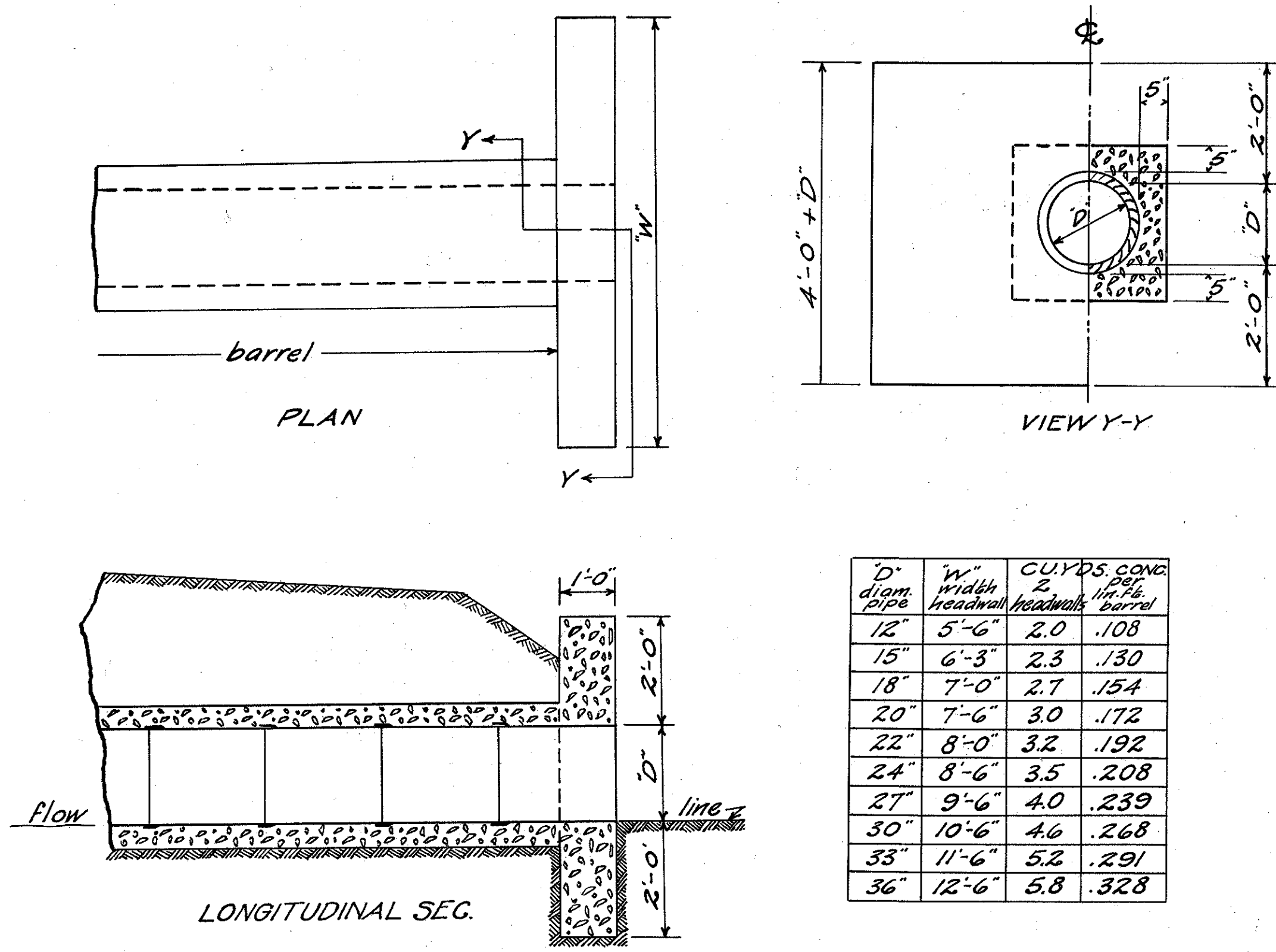


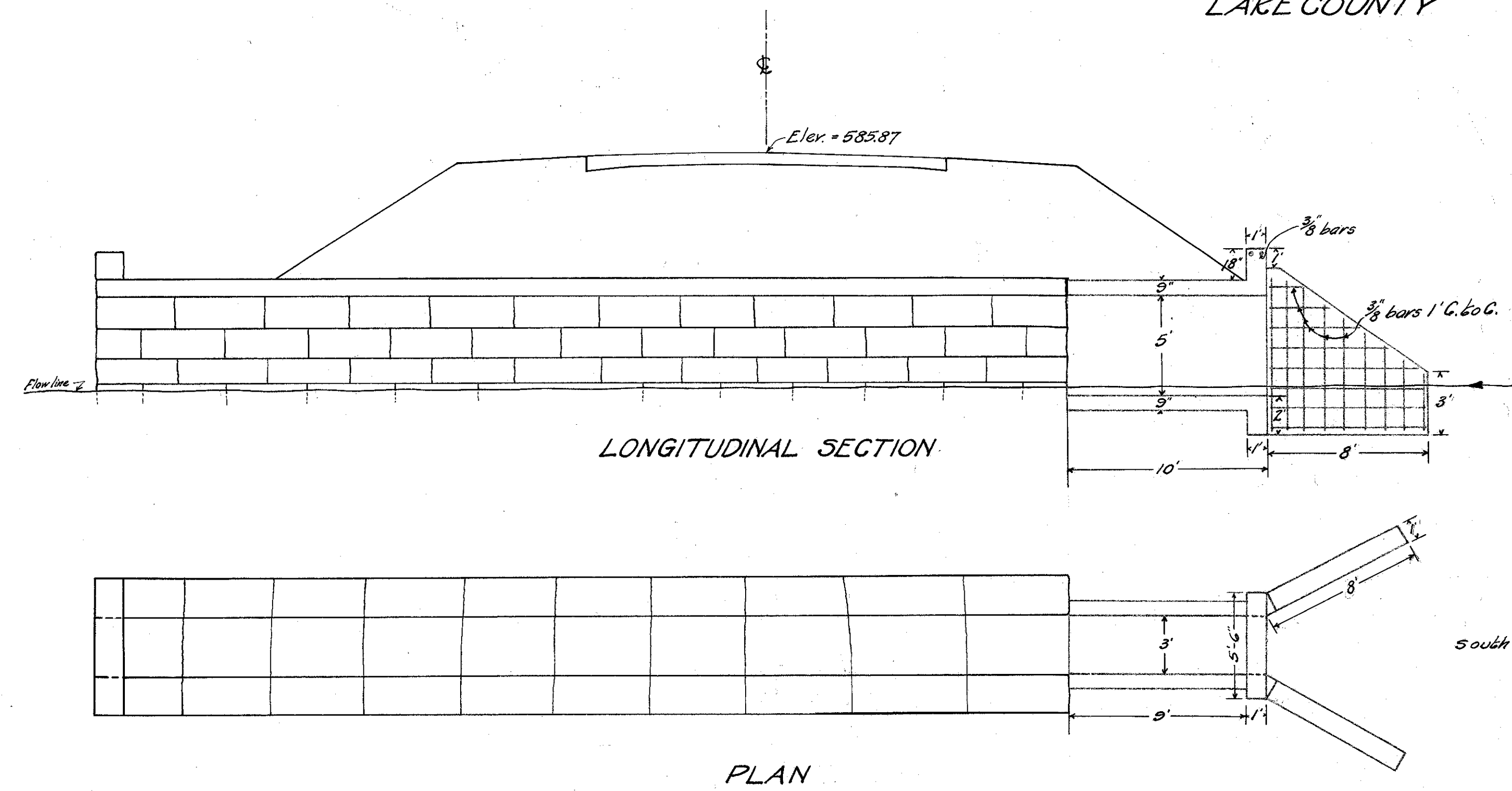
CULVERT AT STA. 12+85

I. C. H. No. 520 SEC. F  
LAKE COUNTY

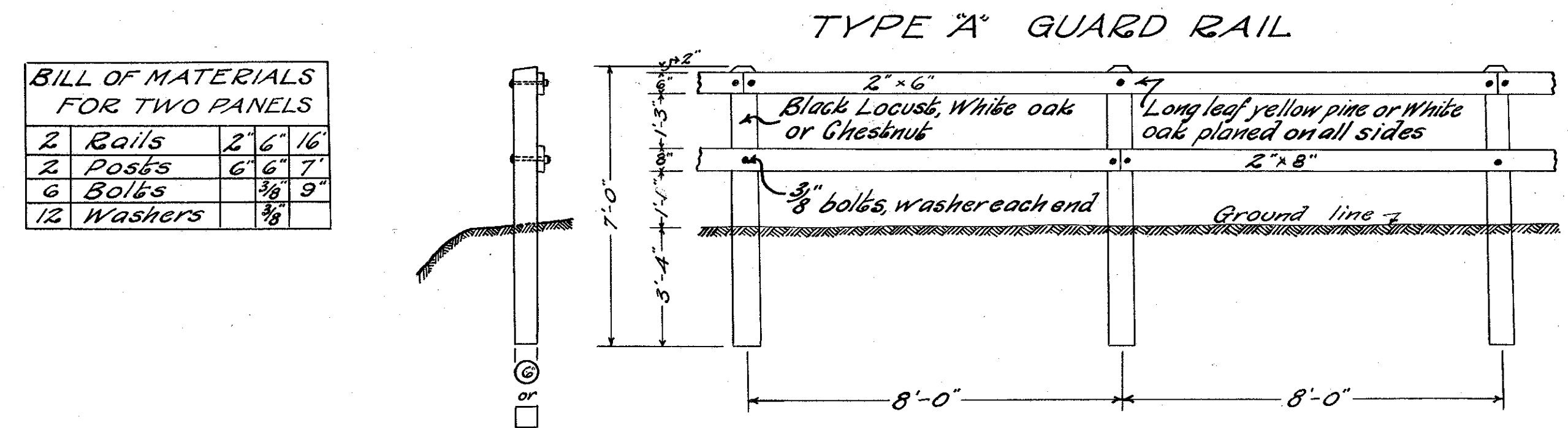
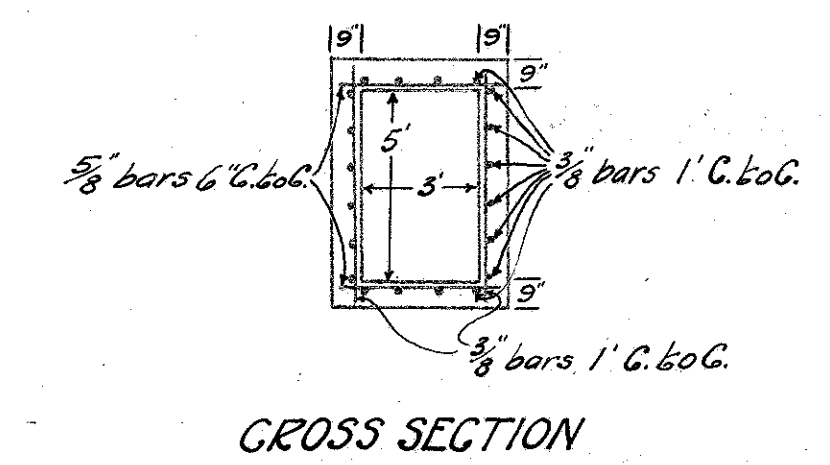


Headwalls 1:2:4 mix  
Barrel 1:3:6 mix

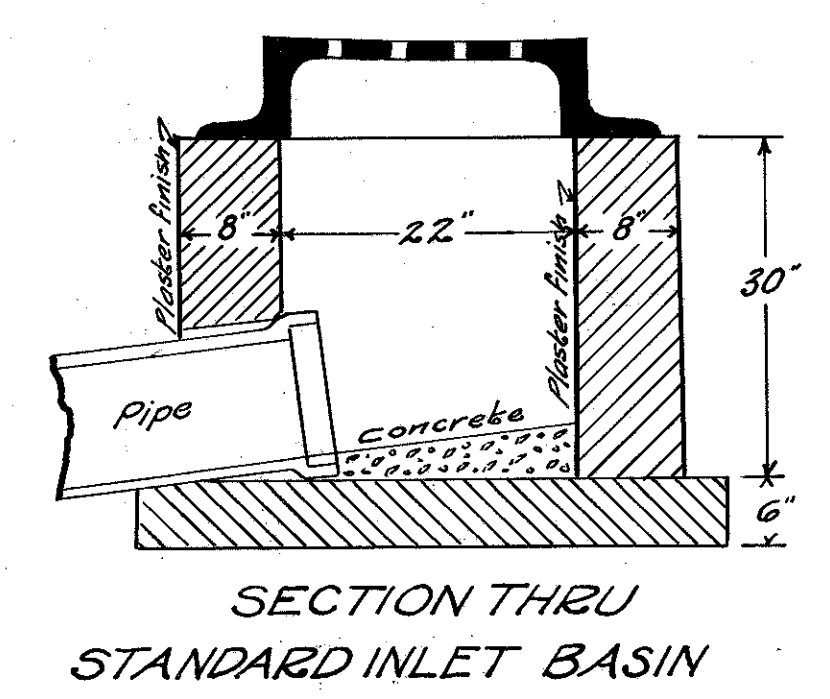
STANDARD ENGAGED VIT. PIPE CULVERT



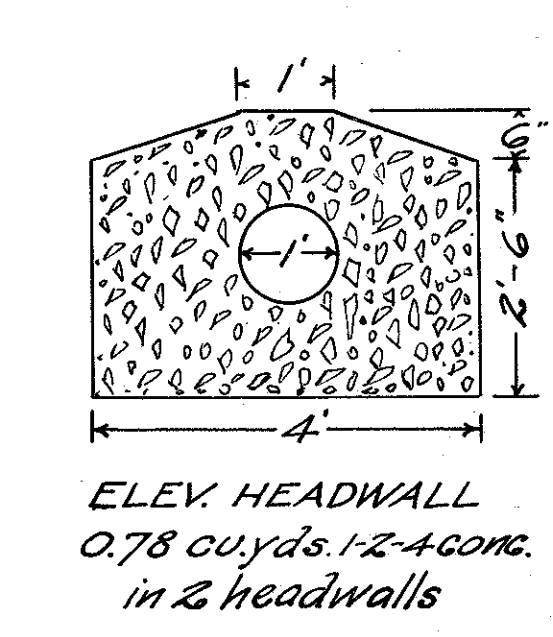
QUANTITIES  
5 cu. yds. excavation  
9.2 cu. yds. 1-2-4 concrete  
463 lbs. steel



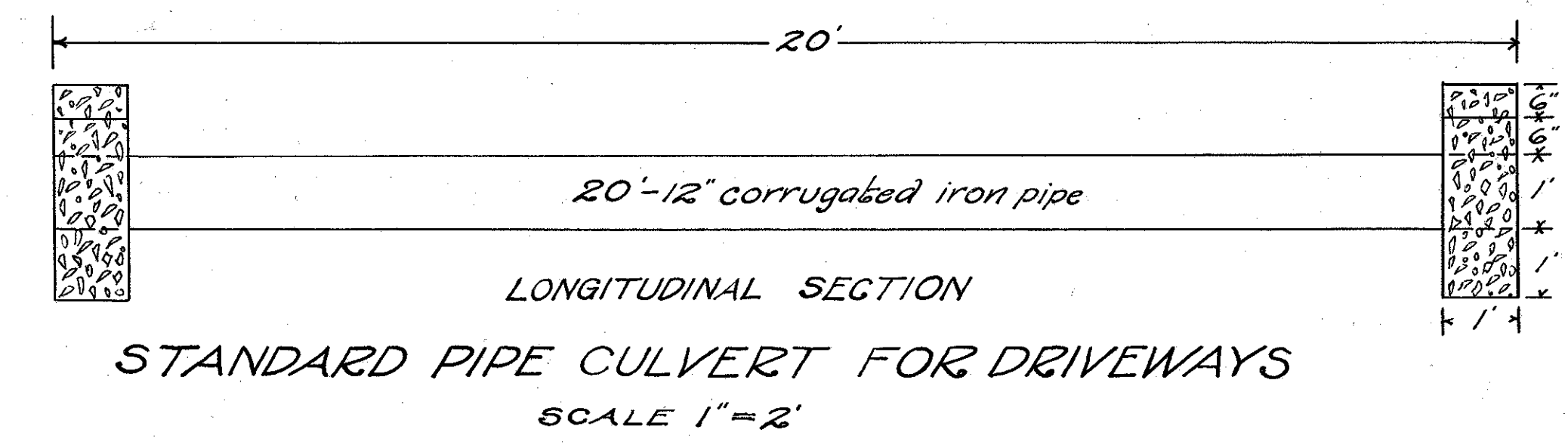
All surfaces in contact to be painted before assembling and all exposed surfaces to have two (2) coats of white lead and linseed oil paint. Posts to be set vertical, in line parallel to grade line, top of rail to be parallel to grade line. Posts to be cut at top as shown on plan. Rails to be secured to posts as shown, without splitting.



SECTION THRU STANDARD INLET BASIN



ELEV. HEADWALL  
0.78 cu. yds. 1-2-4 conc. in 2 headwalls



STANDARD PIPE CULVERT FOR DRIVEWAYS  
SCALE 1"=2'